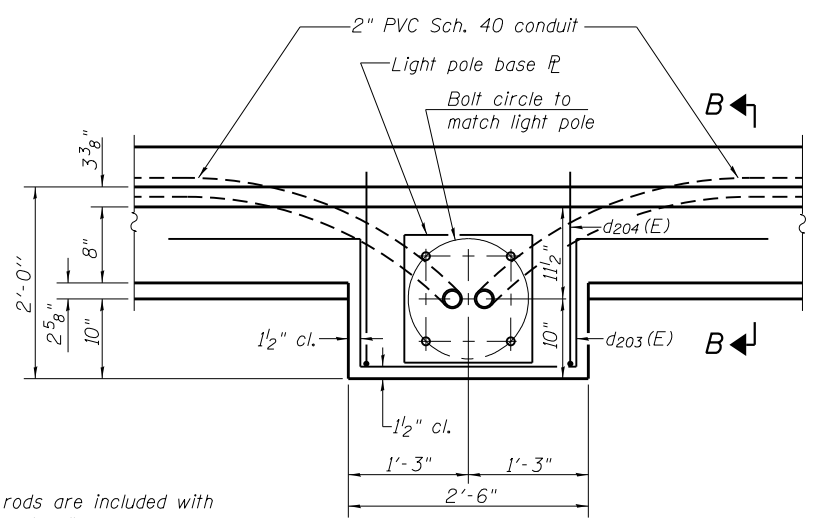


SECTION THRU NORTH PARAPET

SECTION THRU SOUTH PARAPET

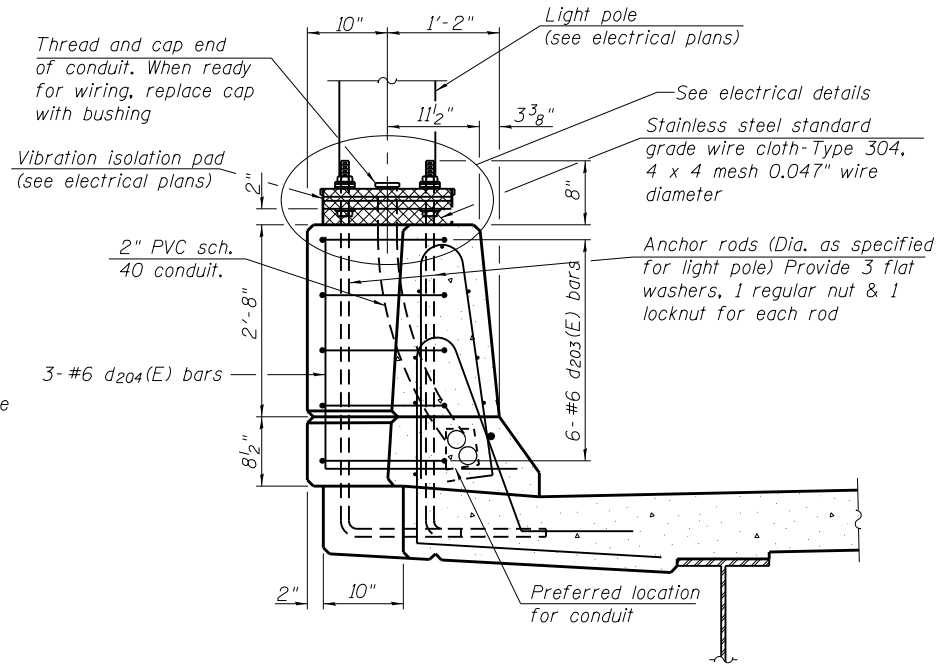
Indicates grinding of deck, See Diamond Grinding and Surface Testing Bridge Sections Special Provision.



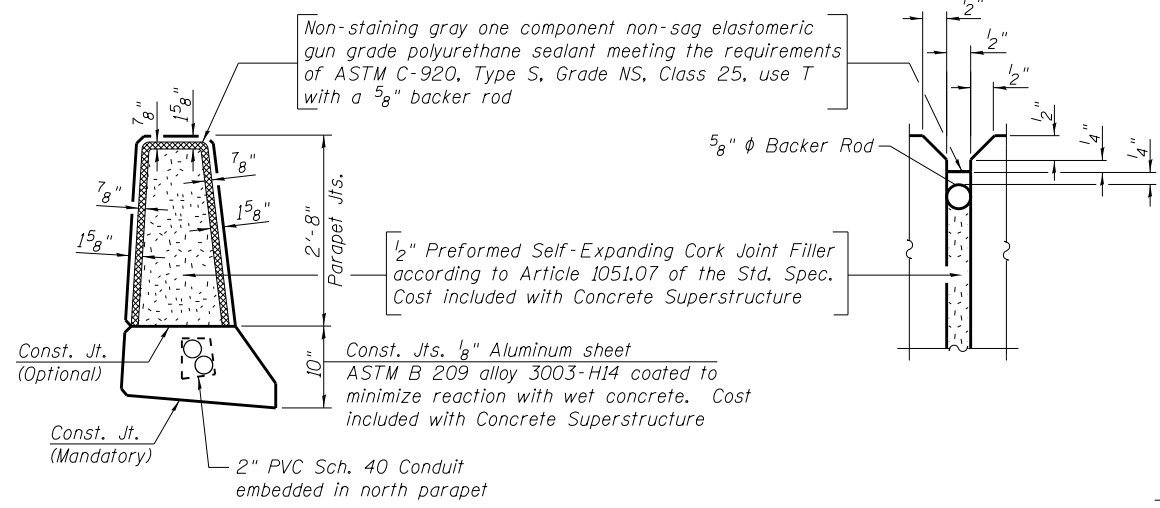
PLAN

Note:
Cost of anchor rods are included with "Concrete Superstructure".
Cost of conduit is included in the Electrical Plans.

*Prior to grinding according to Bridge Smoothness Specifications.
** 2" PVC Conduit embedded in structure. Maintain 1/2" clear from reinforcement

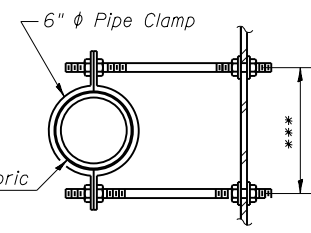


SECTION B-B

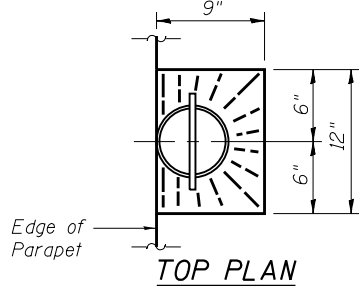


PARAPET JOINT DETAILS

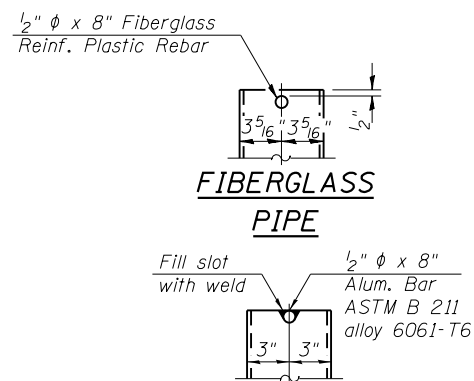
Notes:
The exterior surfaces of the floor drains shall be painted with the finish coat as specified according to Section 506 of the Standard Specification.
Fiberglass pipe shall conform to ASTM D 2996, with short-time rupture strength hoop tensile stress of 30,000 p.s.i. minimum.
Galvanize clamping device according to AASHTO M232. Cost of clamping device and inserts is included with Floor Drains.
Set top of pipe drain 1/4" min. below top of finished deck prior to Diamond Grinding and Surface Testing Bridge Sections Special Provisions. The remaining 1/4" deck around the drains shall be sloped and formed to drain. See Top Plan View.
See sheet 31 of 79 for Drainage System Details.
Anchor Rod Diameter as specified for light poles (ASTM F 1554 Grade 105). Full length hot dipped galvanized.
Drains shall be located to clear all crossframes and splices.



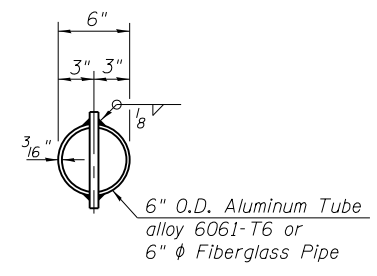
SECTION A-A
*** Dimension as required by Pipe Clamp



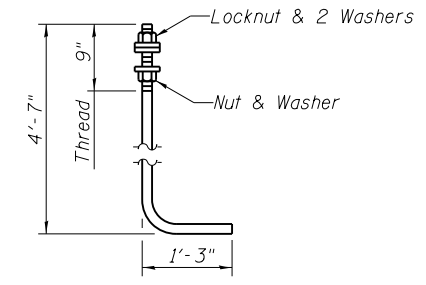
TOP PLAN



ALUMINUM TUBE



TOP PLAN
(Showing Aluminum Tube)



ANCHOR ROD