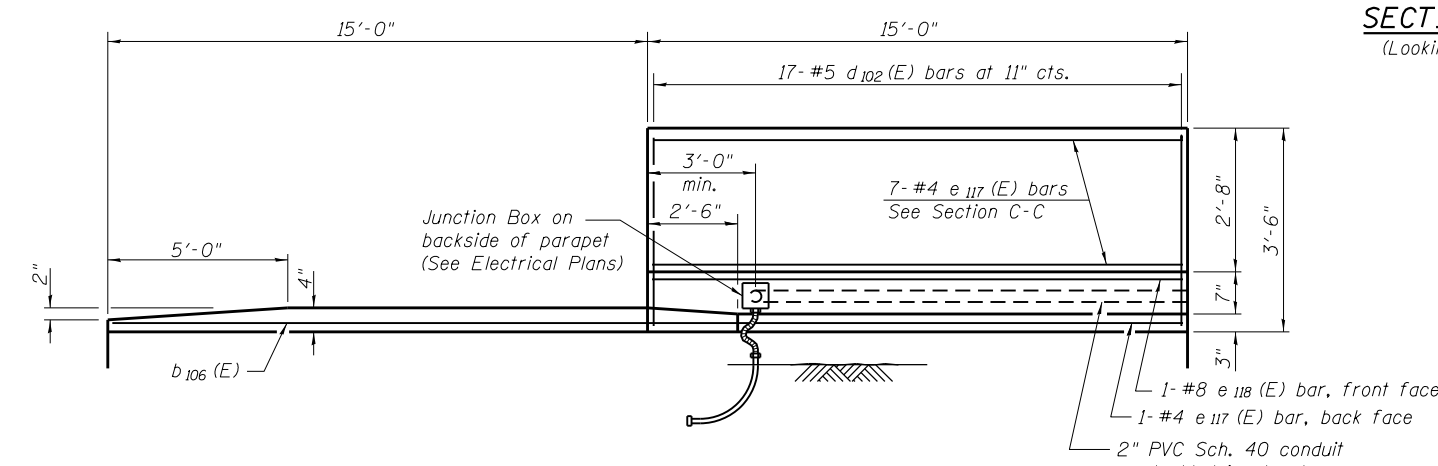
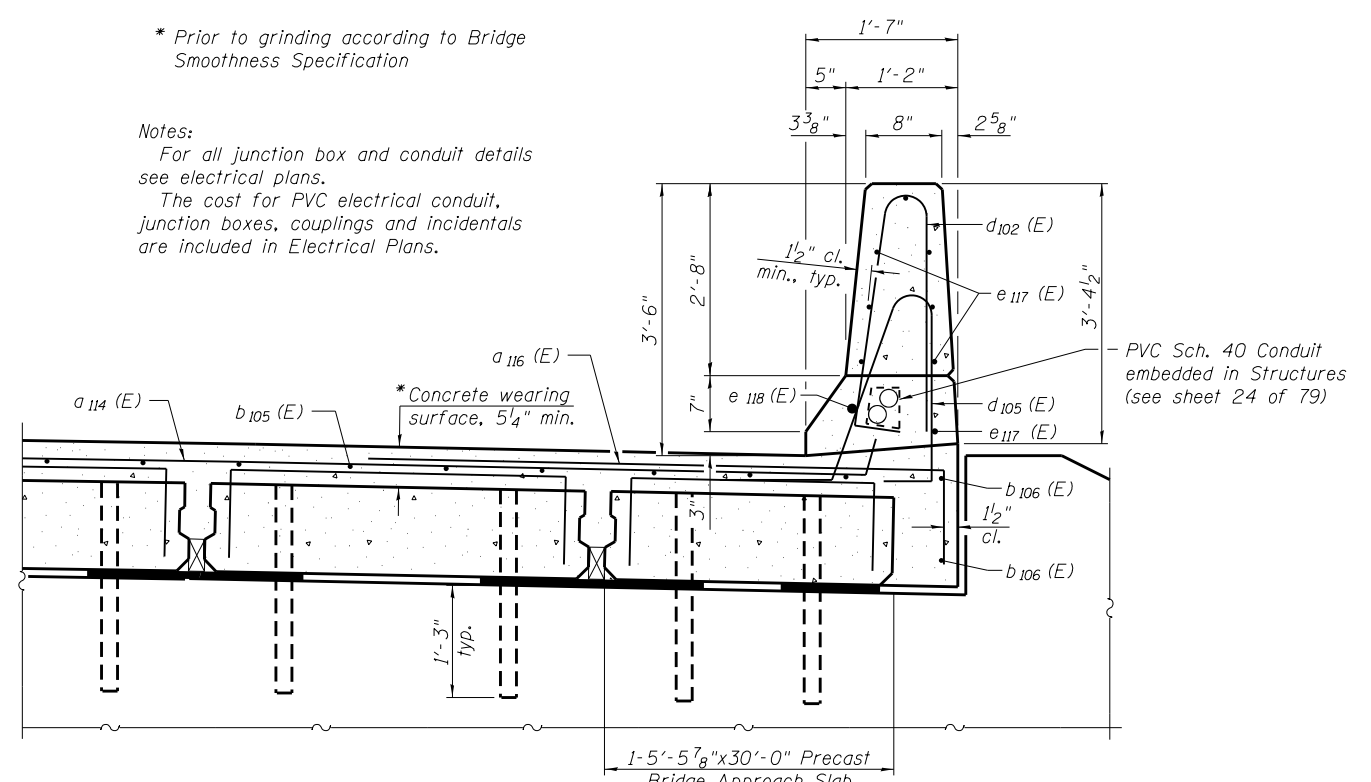


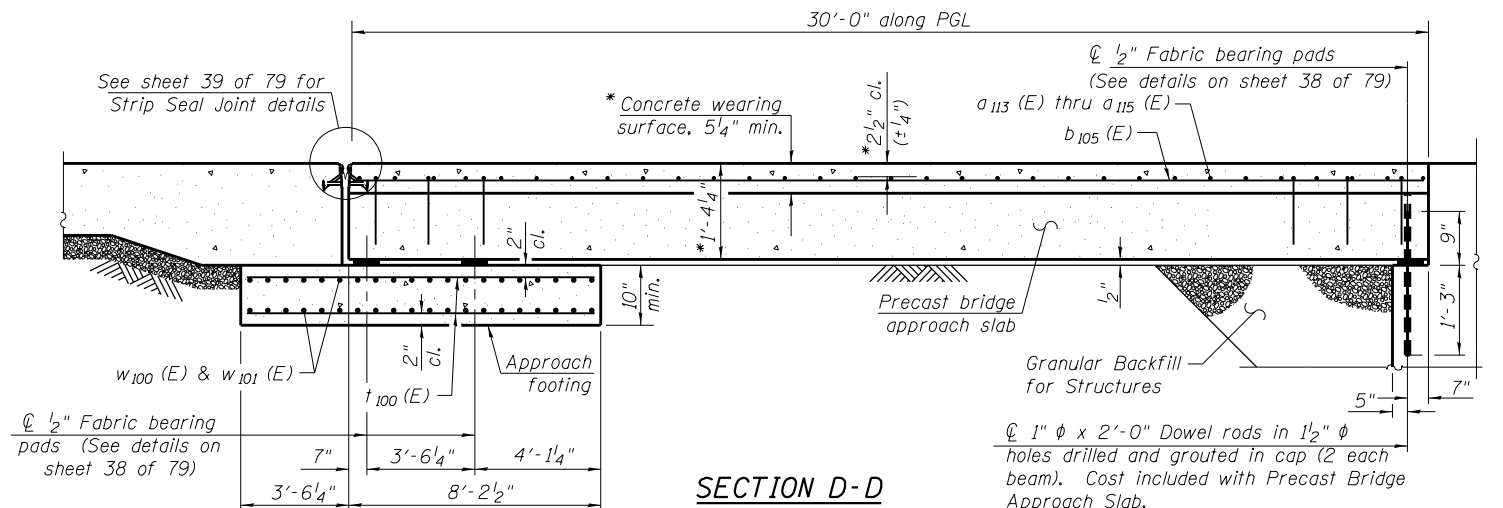
SECTION B-B
(Looking West)



INSIDE ELEVATION OF NORTH PARAPET AND CURB



NEAR ABUTMENT SECTION C-C



SECTION D-D

* Prior to grinding according to Bridge Smoothness Specification

Notes:
For all junction box and conduit details see electrical plans.
The cost for PVC electrical conduit, junction boxes, couplings and incidentals are included in Electrical Plans.

FILE NAME = 025011-74295-037-W BERNARDINI - LOCHMUELLER & ASSOCIATES, INC. 3 OAK DRIVE MARYVILLE, ILLINOIS 62962 PHONE (618) 288-4665 FAX (618) 288-4666	DESIGNED - BB CHECKED - ACS DRAWN - WJS CHECKED - CJF	REVISED REVISED REVISED REVISED	STATE OF ILLINOIS DEPARTMENT OF TRANSPORTATION WEST PRECAST BRIDGE APPROACH SLAB DETAILS (WB) STRUCTURE NO. 025-0111 SHEET NO. 37 OF 79 SHEETS	F.A.I. R.T.E. 57/70 SECTION (25-4HVB-1)BY COUNTY EFFINGHAM TOTAL SHEETS 1760 SHEET NO. 572 CONTRACT NO. 74295
	ILLINOIS Design Firm Number 184.001670 PLOT SCALE = PLOT DATE = 3:25:55 PM 8/14/2013	ILLINOIS FED. AID PROJECT		
	ILLINOIS FED. AID PROJECT			