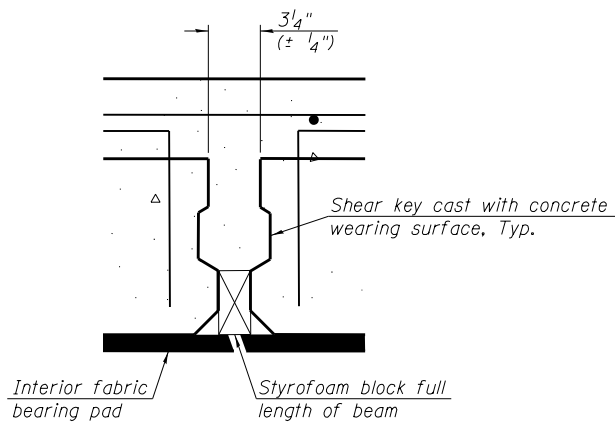


INTERIOR

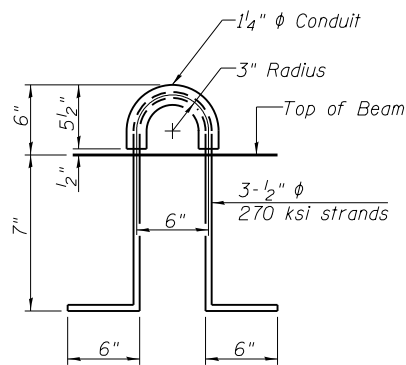
EXTERIOR

FABRIC BEARING PAD

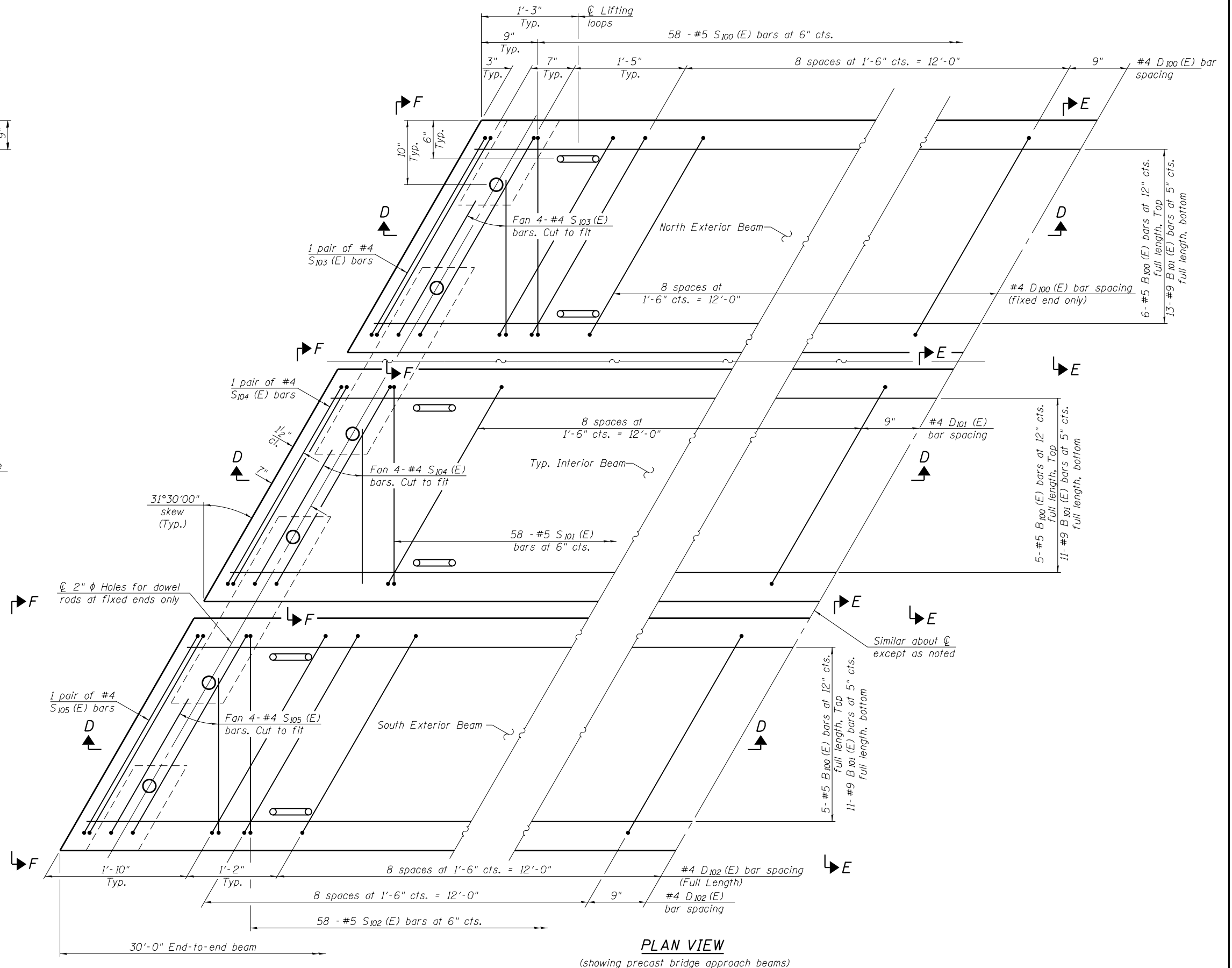
Notes:
 All bearing pads shall be 1/2" thick.
 Omit holes for fabric bearing pads at approach slab footing end of beams.
 Expansion bearing pad shall be bonded to the approach slab footing.



SECTION THRU SHEAR KEY JOINT



LIFTING LOOP DETAIL



PLAN VIEW

(showing precast bridge approach beams)