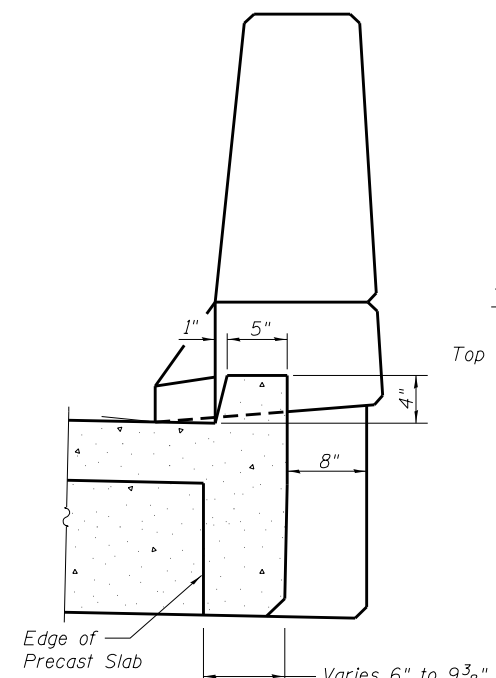


EAST APPROACH SLAB PLAN
(Showing wearing surface)

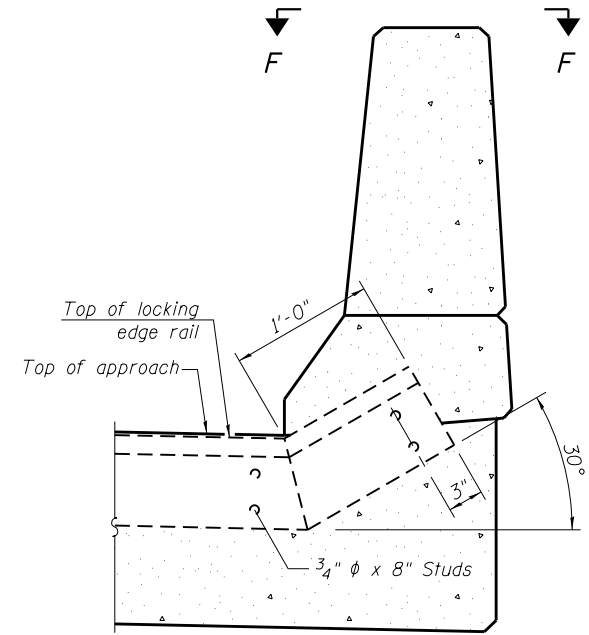
MINIMUM BAR LAP

#4 bar = 2'-0"
#5 bar = 2'-7"

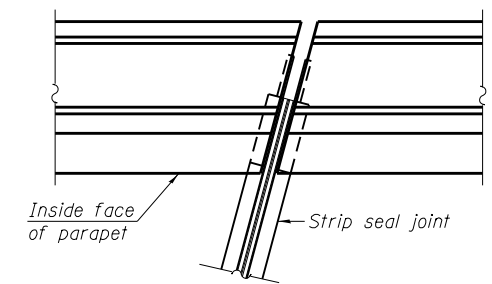
Notes:
Bars indicated thus 20x2 indicates 20 bars with 2 bars per line.
See sheet 41 of 79 for Sections B-B, C-C and D-D.
See sheet 36 of 79 for a113 (E) & a116 (E) bar details.



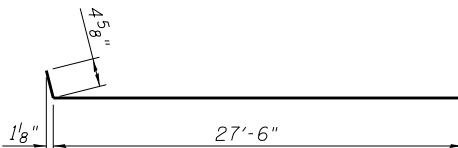
SECTION A-A



SECTION E-E



VIEW F-F



BAR a117 (E)

FILE NAME = 025011-74295-040-E Approach Slab (WB) 8/14/2013	DESIGNED - BB	REVIS	STATE OF ILLINOIS DEPARTMENT OF TRANSPORTATION	EAST PRECAST BRIDGE APPROACH SLAB DETAILS (WB) STRUCTURE NO. 025-0111	F.A.I. RTE. 57/70	SECTION (25-4HVB-1)BY	COUNTY EFFINGHAM	TOTAL SHEETS 1760	SHEET NO. 575		
BERNARDINI LOCHMUELLER & ASSOCIATES, INC. 3 OAK DRIVE MARYVILLE, ILLINOIS 62962 PHONE (618) 284-6665 FAX (618) 284-6666	CHECKED - ACS	REVIS			CONTRACT NO. 74295			ILLINOIS FED. AID PROJECT			
Illinois Design Firm Number 184.001670	DRAWN - WJS	REVIS									
PLOT SCALE =	CHECKED - CJF	REVIS									
PLOT DATE = 3:25:59 PM 8/14/2013	SHEET NO. 40 OF 79 SHEETS										