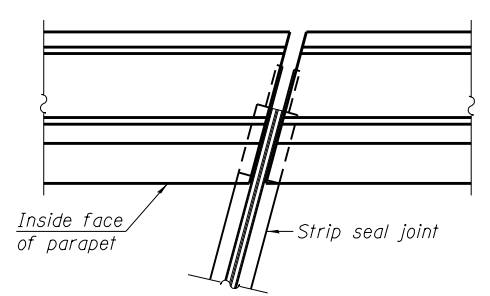
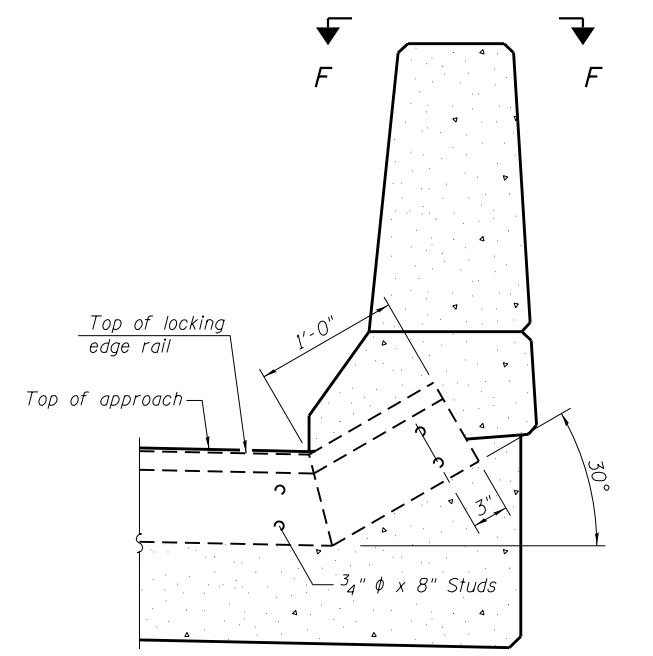


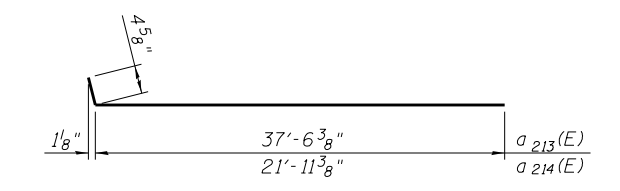
SECTION A-A



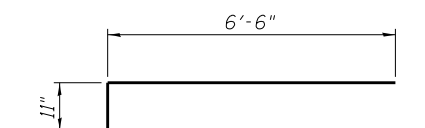
VIEW F-F



SECTION E-E



BAR a213(E) & a214(E)

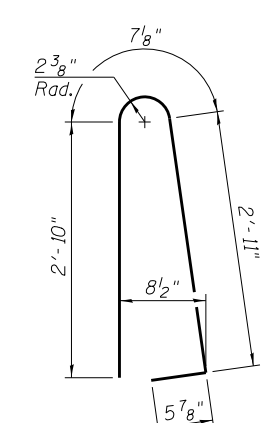


BAR a216(E)

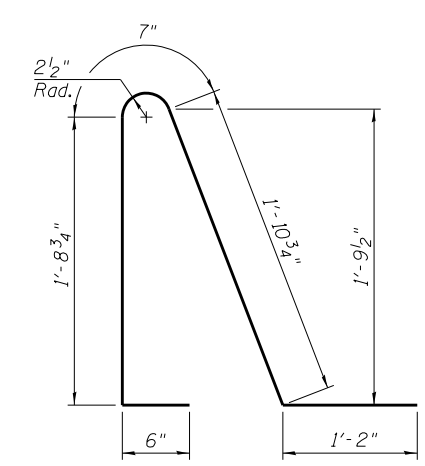
Note:
See sheet 45 of 79 for Sections B-B, C-C and D-D.

MINIMUM BAR LAP
#4 bar = 2'-0"
#5 bar = 2'-7"


* Lap with each a214(E) bar



BAR d202(E)



BAR d205(E)

FILE NAME = \$FILEAS  BERNARDIN LOCHMULLER & ASSOCIATES, INC. 3 OAK DRIVE MARYVILLE, ILLINOIS 62442 PHONE (618) 284-4665 FAX (618) 284-4666	USER NAME = bbovve Illinois Design Firm Number 184.001670	DESIGNED - BB CHECKED - ACS	REVISED REVISED REVISED REVISED	STATE OF ILLINOIS DEPARTMENT OF TRANSPORTATION	WEST PRECAST BRIDGE APPROACH SLAB DETAILS (EB) STRUCTURE NO. 025-0112	F.A.I. RT. 57/70	SECTION (25-4HVB-1)BY	COUNTY EFFINGHAM	TOTAL SHEETS 1760	SHEET NO. 579
	PLOT SCALE = PLOT DATE = 3:26:03 PM 8/14/2013	DRAWN - WJS CHECKED - CJF	SHEET NO. 44 OF 79 SHEETS			CONTRACT NO. 74295	ILLINOIS FED. AID PROJECT			