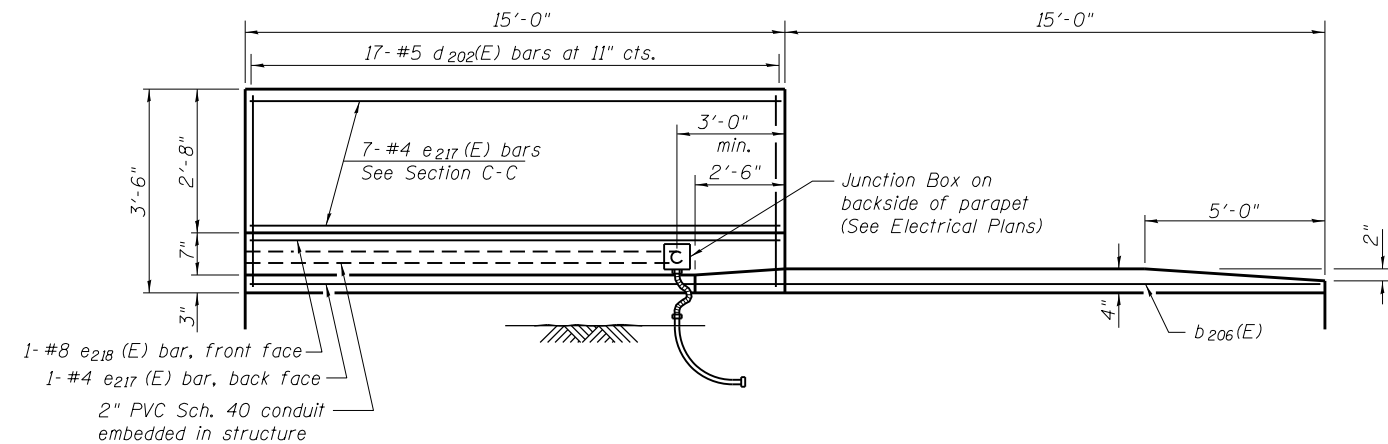


AT APPROACH FOOTING

NEAR ABUTMENT

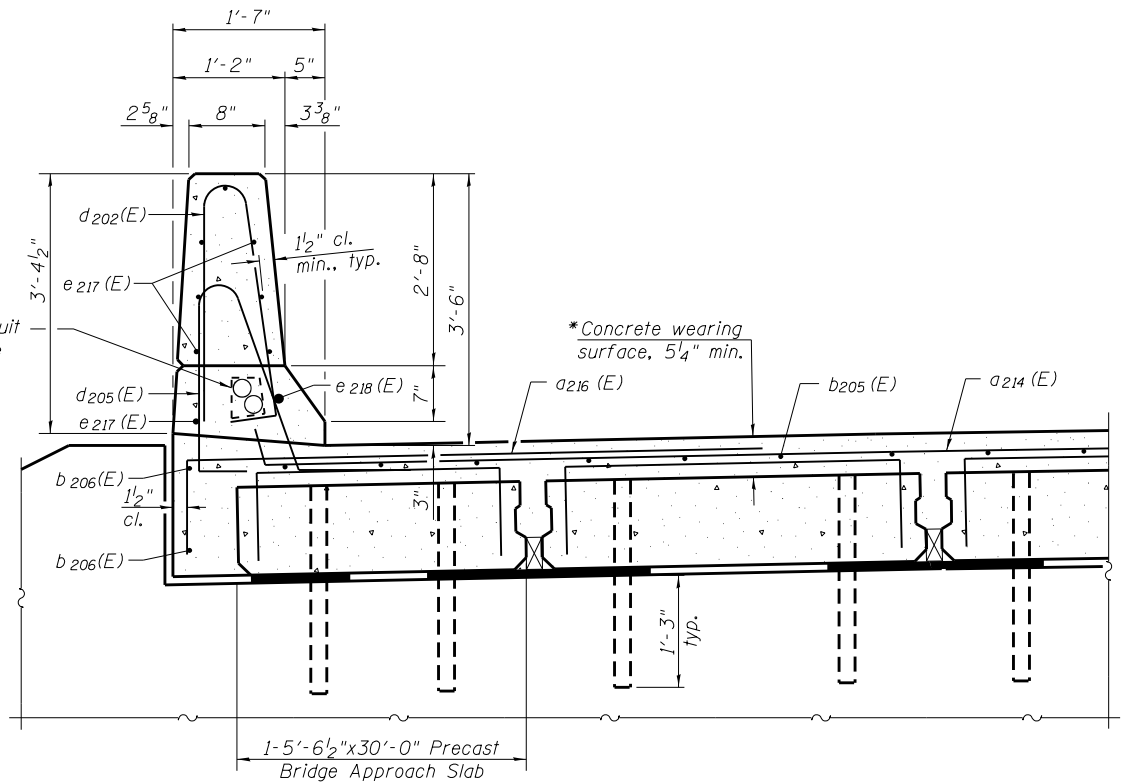
SECTION B-B
(Looking West)



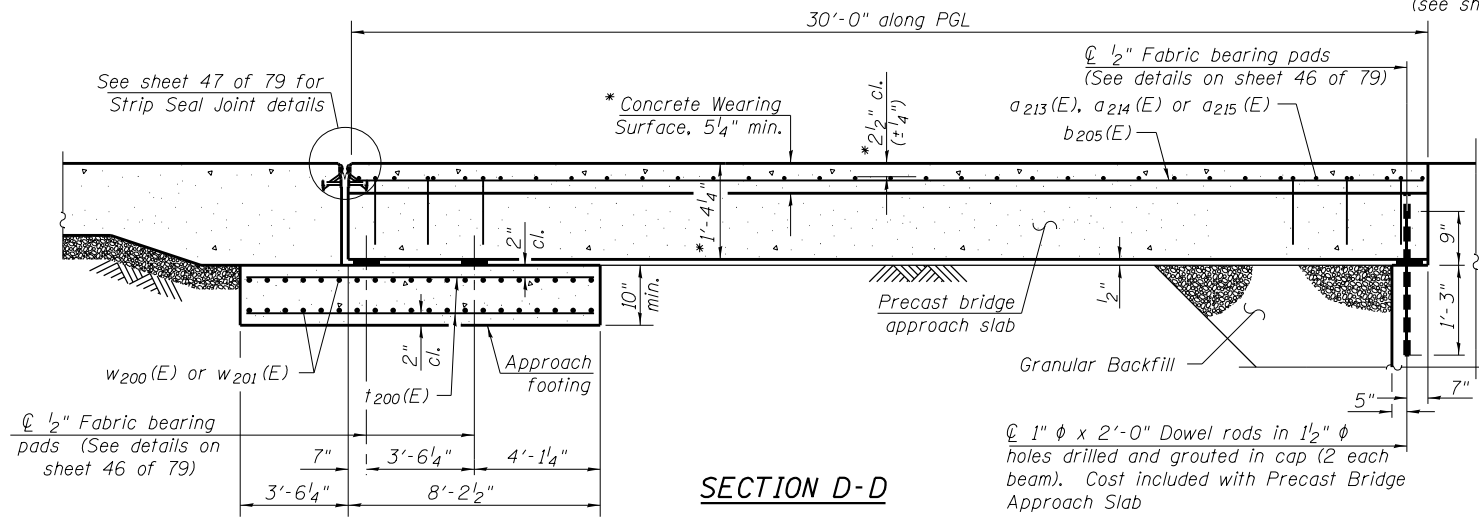
INSIDE ELEVATION OF SOUTH PARAPET AND CURB

* Prior to grinding according to Bridge Smoothness Specification

Notes:
For all junction box and conduit details see electrical plans.
The cost for PVC electrical conduit, junction boxes, couplings and incidentals are included in Electrical Plans.



NEAR ABUTMENT
SECTION C-C



SECTION D-D

FILE NAME = 025011-74295-045-W Approach Slab
BERNARDINI LOCHMULLER & ASSOCIATES, INC.
Illinois Design Firm Number 184.001670
PLOT SCALE =
PLOT DATE = 3:26:04 PM 8/14/2013

DESIGNED - BB
CHECKED - ACS
DRAWN - WJS
CHECKED - CJF
REVISED
REVISED
REVISED
REVISED

STATE OF ILLINOIS
DEPARTMENT OF TRANSPORTATION

WEST PRECAST BRIDGE APPROACH SLAB DETAILS (EB)
STRUCTURE NO. 025-0112

SHEET NO. 45 OF 79 SHEETS

F.A.I. RE. 57/70	SECTION (25-4HV-1)BY	COUNTY EFFINGHAM	TOTAL SHEETS 1760	SHEET NO. 580
CONTRACT NO. 74295				

ILLINOIS FED. AID PROJECT