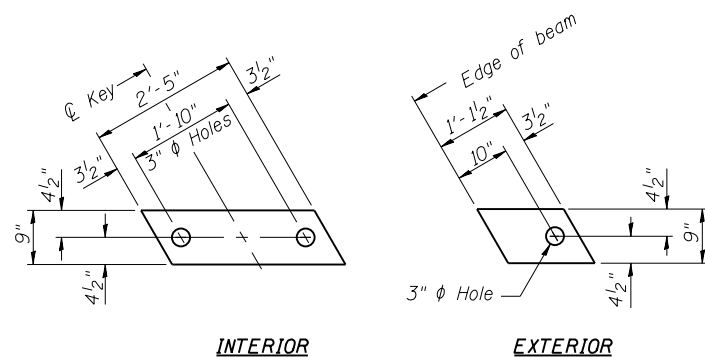
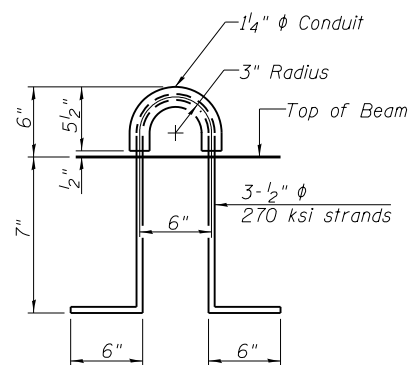


**SECTION THRU TYPICAL SHEAR KEY JOINT**



**FABRIC BEARING PAD**

Notes:  
 All bearing pads shall be 1/2" thick.  
 Omit holes for fabric bearing pads at approach slab footing end of beams.  
 Expansion bearing pad shall be bonded to the approach slab footing.



**LIFTING LOOP DETAIL**

