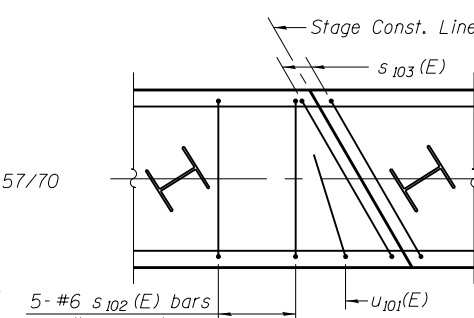
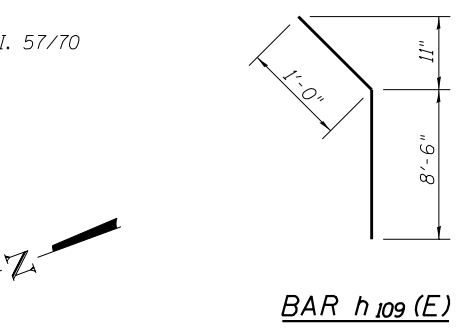
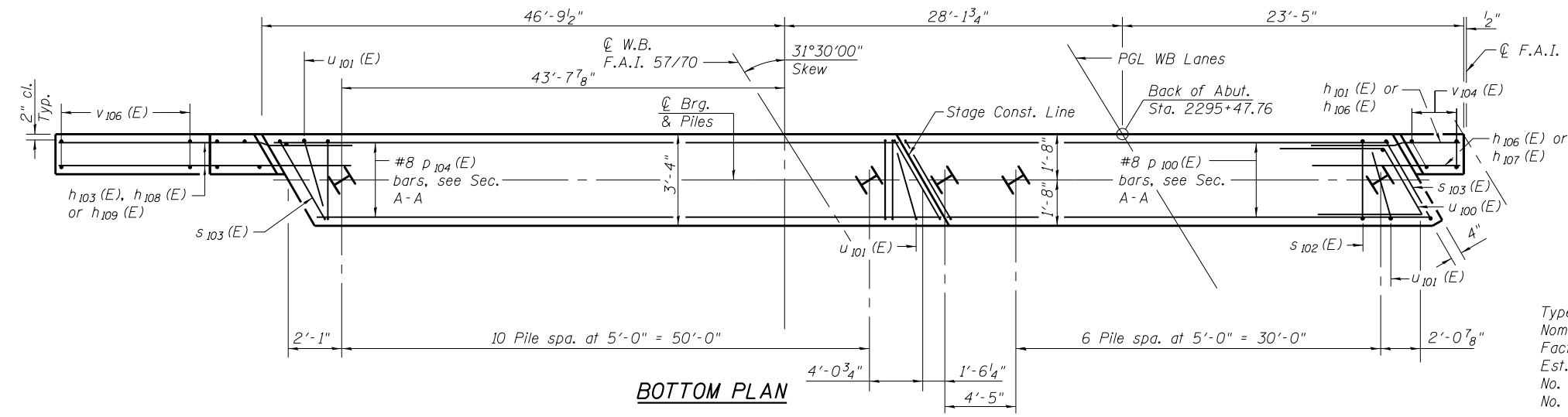
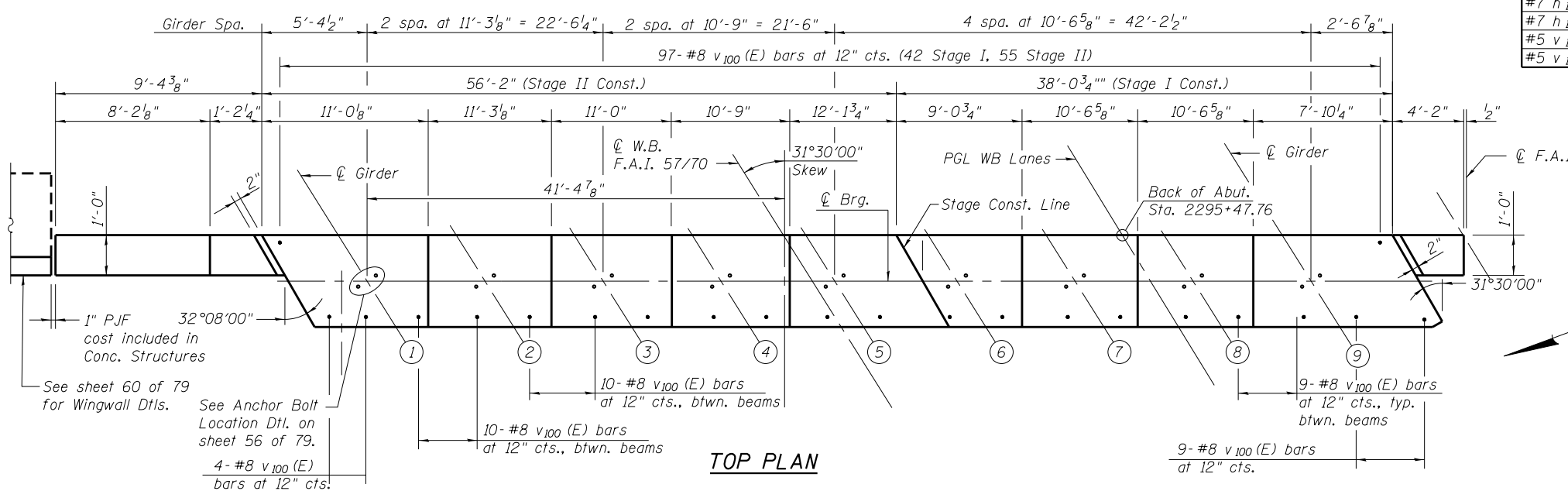


**FIELD CUTTING DIAGRAM**  
Order bars full length. Cut as shown and use remainder of bars in opposite face.

Bar	A	B	C	D	E	F
#7 h <sub>104</sub> (E)	15'-8"	5'-6"	10'-2"	10'-2"	5'-6"	3
#7 h <sub>108</sub> (E)	16'-3"	5'-2"	11'-1"	11'-1"	5'-2"	3
#5 v <sub>103</sub> (E)	17'-6"	7'-1"	10'-5"	10'-5"	7'-1"	9
#5 v <sub>106</sub> (E)	17'-6"	7'-7"	9'-11"	9'-11"	7'-7"	8



**PILE DATA**

Type: Steel HP 14x89  
Nominal Required Bearing: 452K  
Factored Resistance Available: 249K  
Est. Length: 75'-0"  
No. Production Piles: 19  
No. Test Piles: 0

Notes:  
Pour steps monolithically with cap.  
For details of piles see sheet 70 of 79.  
See sheet 58 of 79 for additional Bar Bends.  
Order P<sub>102</sub>(E) and P<sub>105</sub>(E) bars full length and cut to fit.  
Space piles to miss existing cut-off piles as needed.

**BILL OF MATERIAL**

Bar	No.	Size	Length	Shape
h <sub>101</sub> (E)	4	#5	3'-10"	—
h <sub>103</sub> (E)	16	#7	12'-3"	—
h <sub>106</sub> (E)	14	#5	6'-5"	—
h <sub>107</sub> (E)	4	#5	3'-3"	—
h <sub>108</sub> (E)	3	#7	16'-3"	—
h <sub>109</sub> (E)	2	#7	9'-6"	—
P <sub>100</sub> (E)	14	#8	37'-8"	—
P <sub>102</sub> (E)	4	#4	19'-2"	—
P <sub>104</sub> (E)	14	#8	55'-10"	—
P <sub>105</sub> (E)	4	#4	35'-7"	—
S <sub>102</sub> (E)	126	#6	13'-8"	—
S <sub>103</sub> (E)	3	#6	14'-6"	—
S <sub>104</sub> (E)	38	#5	4'-0"	—
*SP <sub>100</sub> (E)	19	#4	2'-0"	—
U <sub>100</sub> (E)	10	#8	11'-1"	—
U <sub>101</sub> (E)	3	#6	7'-8"	—
U <sub>102</sub> (E)	51	#4	5'-10"	—
V <sub>100</sub> (E)	184	#8	6'-7"	—
V <sub>104</sub> (E)	10	#5	13'-8"	—
V <sub>105</sub> (E)	4	#5	10'-5"	—
V <sub>106</sub> (E)	8	#5	17'-6"	—
Structure Excavation			Cu. Yd.	262
Concrete Structures			Cu. Yd.	50.8
Reinforcement Bars, Epoxy Coated			Pound	12,190
Furnishing - Piles, HP14x89			Foot	1425
Driving Piles			Foot	1425

\* Length is height of spiral.