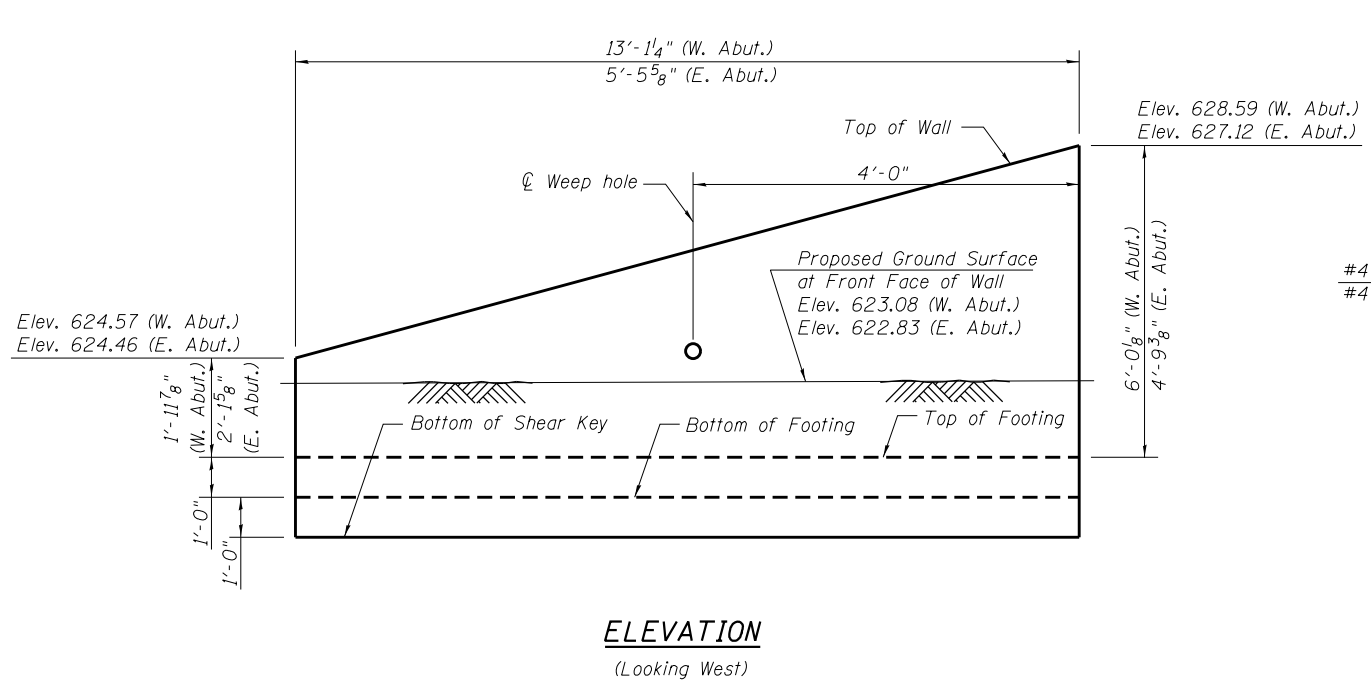
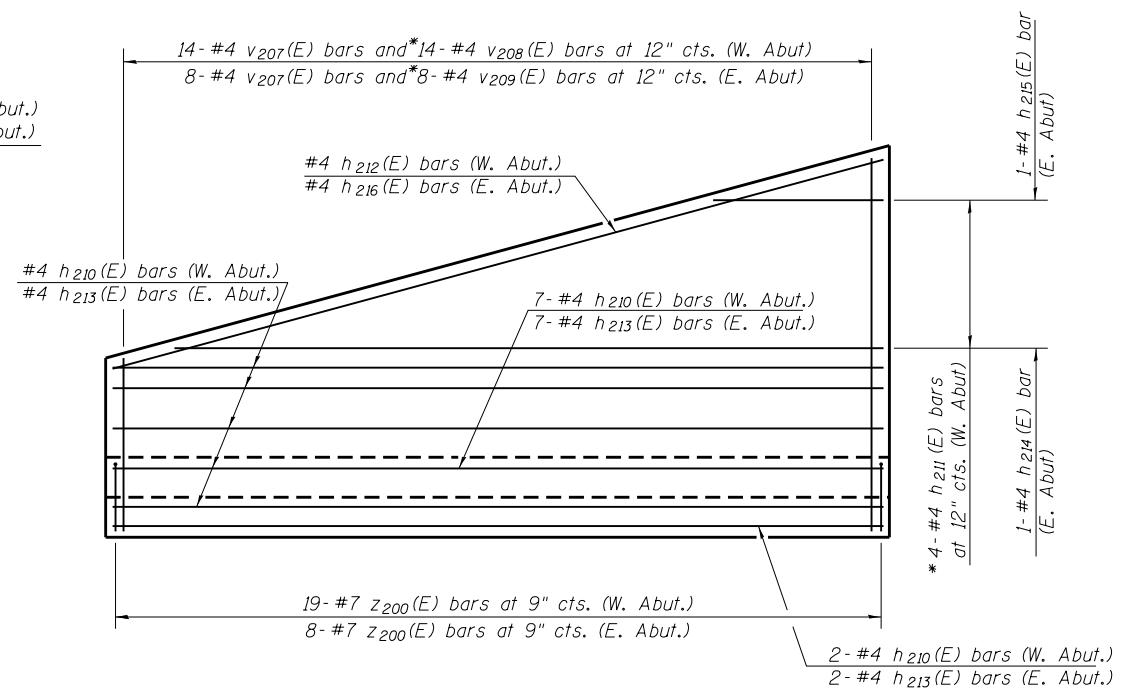


Notes:
 Maximum applied service bearing pressure = 2000 psf.
 Structure excavation associated with Wingwalls is included in the abutment Bill of Materials on sheets 63 & 64 of 79.



ELEVATION
(Looking West)

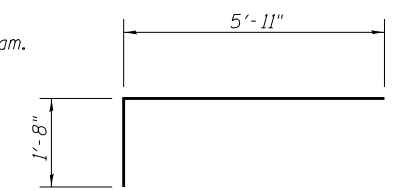


ELEVATION SHOWING REINFORCEMENT
(Looking West)

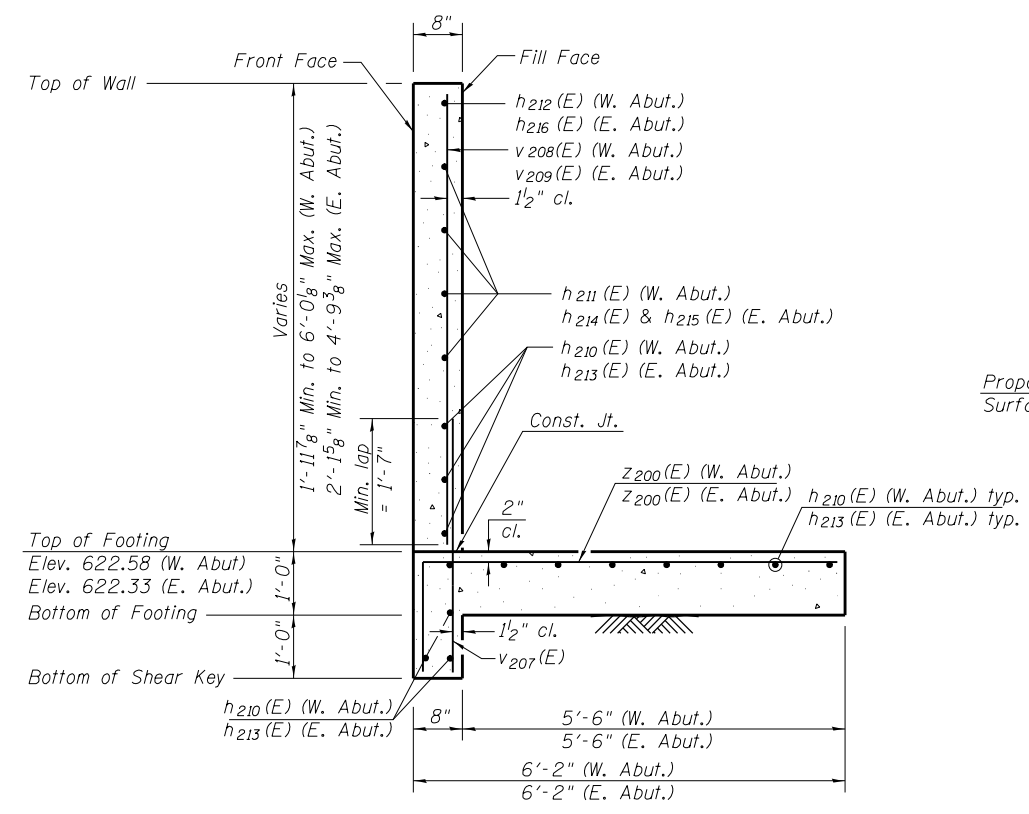
**WINGWALLS (EB)
BILL OF MATERIAL**

Bar	No.	Size	Length	Shape
h210 (E)	14	#4	12'-9"	
h211 (E)	2	#4	13'-10"	
h212 (E)	1	#4	13'-4"	
h213 (E)	14	#4	5'-1"	
h214 (E)	1	#4	3'-1"	
h215 (E)	1	#4	1'-0"	
h216 (E)	1	#4	5'-8"	
v207(E)	22	#4	3'-8"	
v208(E)	7	#4	7'-4"	
v209(E)	4	#4	6'-2"	
z200(E)	27	#7	7'-7"	
Concrete Structures		Cu. Yd.	6.5	
Reinforcement Bars, Epoxy Coated		Pound	730	

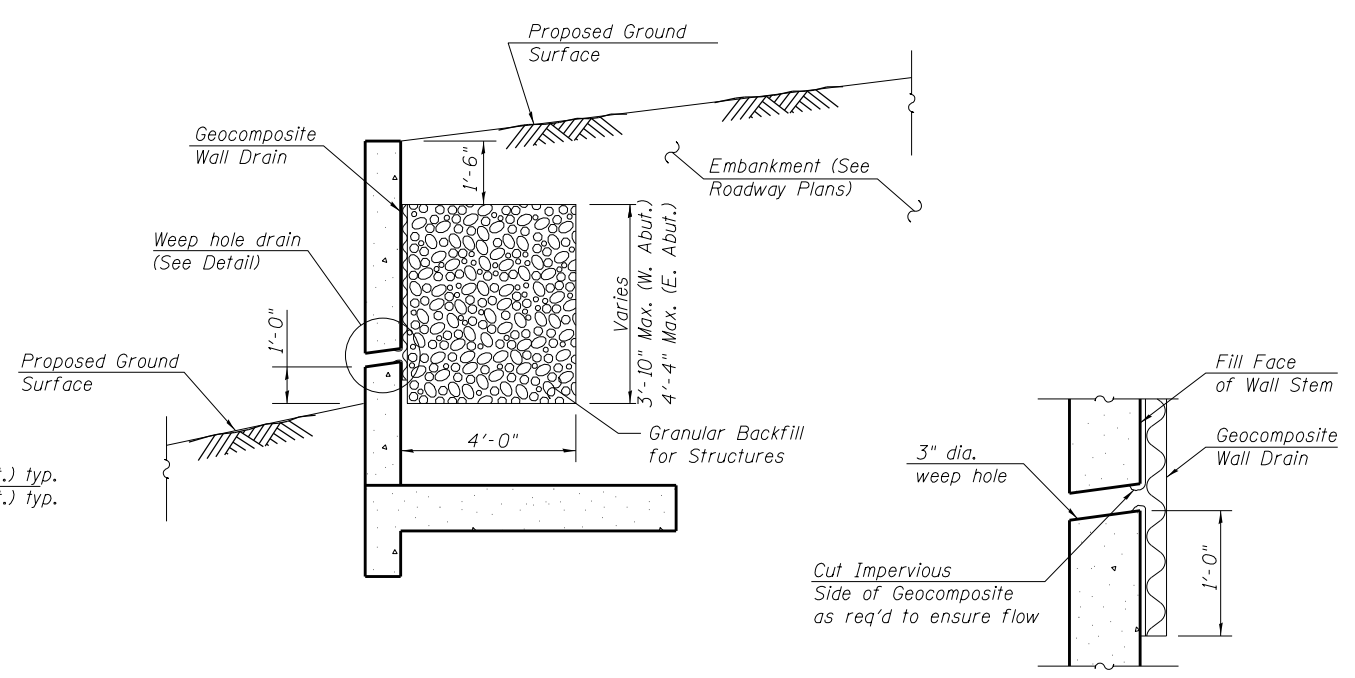
* See Field Cutting Diagram.



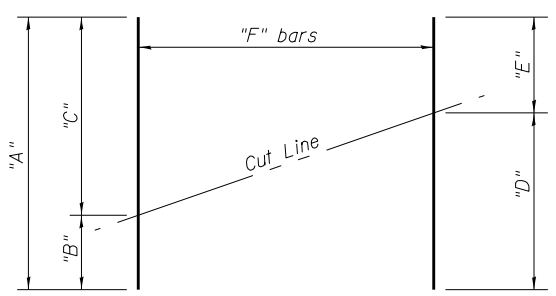
BAR Z200(E)



SECTION THRU WALL



WEEP HOLE DRAIN DETAILS



FIELD CUTTING DIAGRAM

Order bars full length. Cut as shown and use remainder of bars in opposite end of wall.

Bar	A	B	C	D	E	F
#4 h211 (E)	13'-10"	5'-3 1/2"	8'-6 1/2"	2'-0 1/4"	11'-9 3/4"	2
#4 v208 (E)	7'-4"	3'-6 1/4"	3'-9 3/4"	1'-8 1/2"	5'-7 1/2"	7
#4 v209 (E)	6'-2"	4'-4"	1'-10"	3'-3"	2'-11"	4