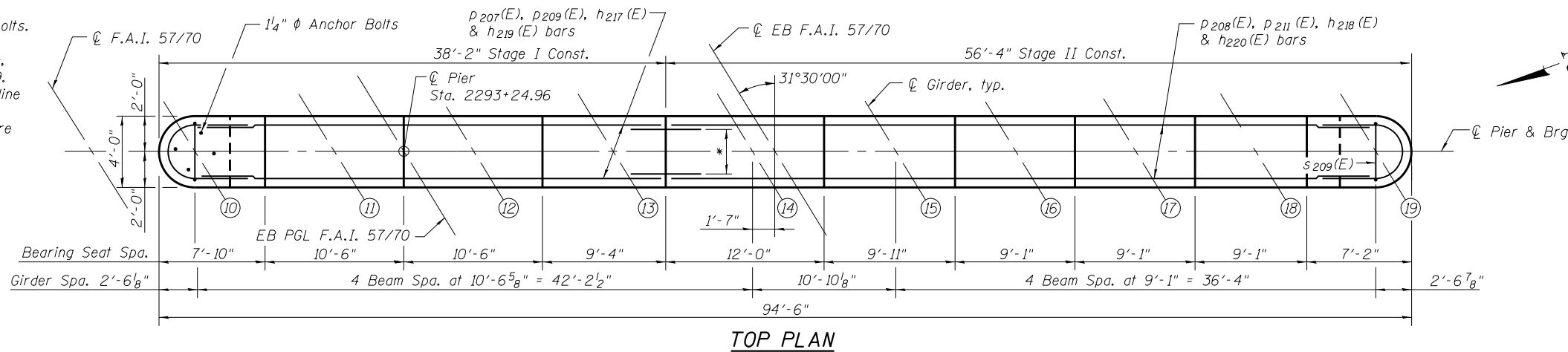
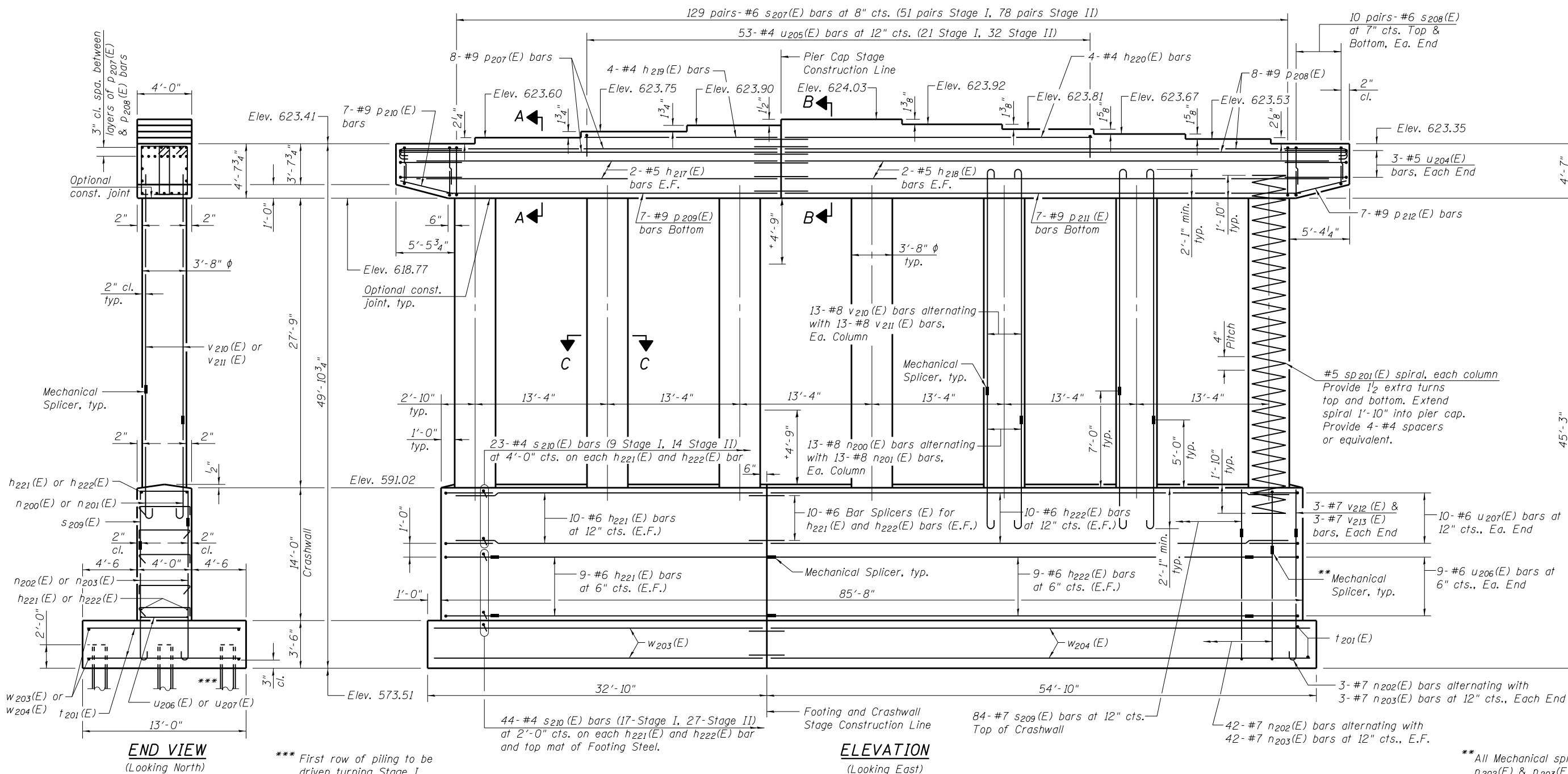


Notes:
 Space reinforcement in cap to miss anchor bolts.
 Pour steps monolithically with cap.
 For Bar Details, Bill of Material, Footing Plan, Sections A-A, B-B & C-C, see sheet 67 of 79.
 All surfaces of Pier above proposed ground line shall be treated with Concrete Sealer.
 Clear cover noted to Mechanical Splicers where applicable.
 See sheet 57 of 79 for Anchor Bolt layout.
 Order p207(E) & p208(E) bars full length and cut to fit.
 Piling shall be driven starting with the row closest to the existing pier foundation for Stage I Construction.
 When splicing of spiral reinforcement is necessary, the spirals shall be provided with 1/2 extra turns at the ends to be spliced. These additional turns shall either be welded together according to AWS D1.4 or shall both terminate with a 135° standard hook.



*16-Bar Splicers (E) for #9 p207(E) & p208(E) bars
 4-Bar Splicers (E) for #5 h217(E) & h218(E) bars
 4-Bar Splicers (E) for #4 h219(E) & h220(E) bars
 7-Bar Splicers (E) for #9 p209(E) & p211(E) bars

+ Splicing of reinforcement will not be allowed in this region.



END VIEW
 (Looking North)

ELEVATION
 (Looking East)

*** First row of piling to be driven turning Stage I.

** All Mechanical splicers for s210(E), n202(E) & n203(E) bars shall be staggered.

FILE NAME - 025011-74295-066-Pier (EB)1.dgn	USER NAME - bbovee	DESIGNED - BB	REVISED	STATE OF ILLINOIS DEPARTMENT OF TRANSPORTATION	PIER (EB) STRUCTURE NO. 025-0112	F.A.I. RT.E.	SECTION	COUNTY	TOTAL SHEETS	SHEET NO.	
BERNARDINI LOCHMULLER & ASSOCIATES, INC.	Illinois Design Firm Number 184.001670	CHECKED - ACS	REVISED			57/70	(25-4HV-1)BY	EFFINGHAM	1760	601	
3 OAK DRIVE MARYVILLE, ILLINOIS 62962 PHONE (618) 284-6665 FAX (618) 284-6666	PLOT SCALE -	DRAWN - WJS	REVISED			CONTRACT NO. 74295					
PLOT DATE - 3:26:32 PM 8/14/2013		CHECKED - CJF	REVISED			ILLINOIS FED. AID PROJECT					