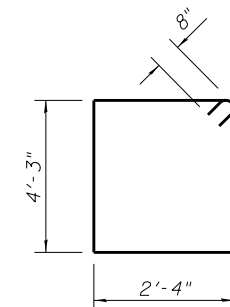
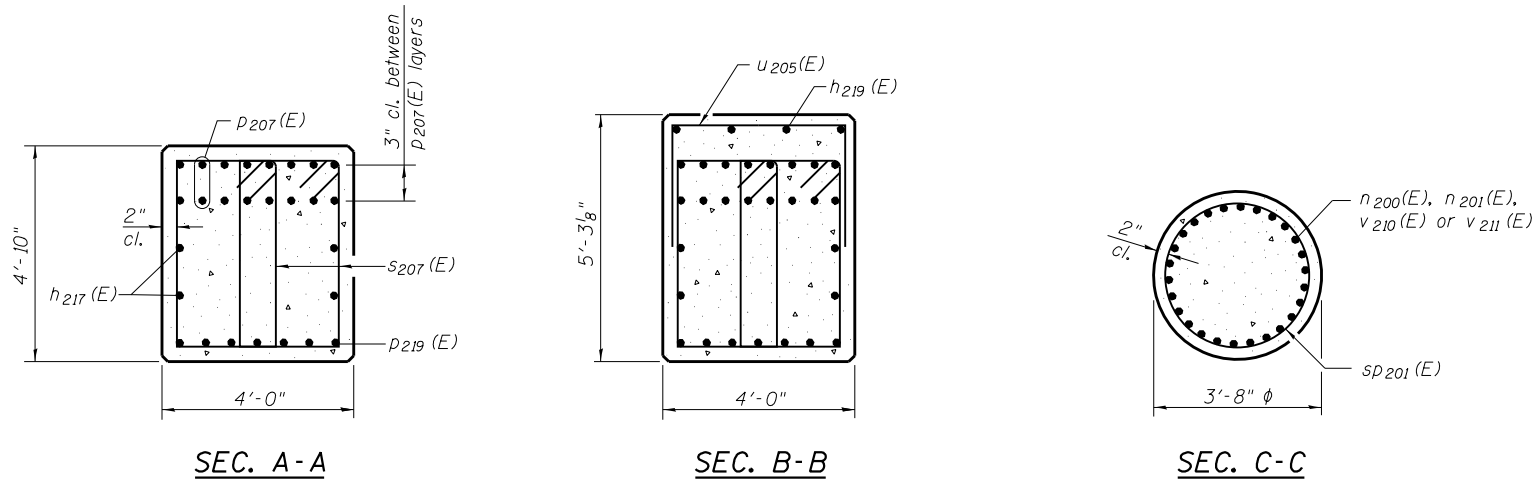


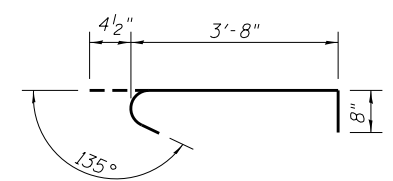
PILE DATA

Type: HP 14x89
 Nominal Required Bearing: 496K
 Factored Resistance Available: 273K
 Est. Length: 70'-0"
 No. Production Piles: 48
 No. Test Piles: 0

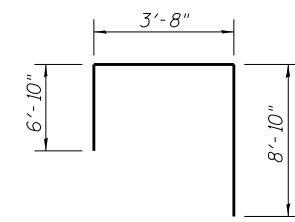
Notes:
 Space t₂₀₁(E), w₂₀₃(E) and w₂₀₄(E) bars to miss piles.
 For details of Piles see sheet 70 of 79.
 For Pile Embedment into footing see End View on sheet 66 of 79.



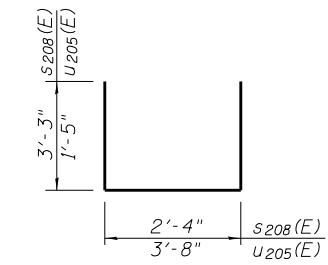
BAR s₂₀₇(E)



BAR s₂₁₀(E)



BAR s₂₀₉(E)



BARS s₂₀₈(E) & u₂₀₅(E)

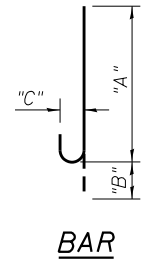
BILL OF MATERIAL

Bar	No.	Size	Length	Shape
h ₂₁₇ (E)	4	#5	36'-0"	—
h ₂₁₈ (E)	4	#5	54'-2"	—
h ₂₁₉ (E)	4	#4	19'-7"	—
h ₂₂₀ (E)	4	#4	30'-9"	—
h ₂₂₁ (E)	38	#6	28'-8"	—
h ₂₂₂ (E)	38	#6	50'-8"	—
n ₂₀₀ (E)	91	#8	8'-0"	—
n ₂₀₁ (E)	91	#8	10'-0"	—
n ₂₀₂ (E)	90	#7	9'-1"	—
n ₂₀₃ (E)	90	#7	11'-1"	—
p ₂₀₇ (E)	16	#9	39'-1"	—
p ₂₀₈ (E)	16	#9	57'-3"	—
p ₂₀₉ (E)	7	#9	33'-0"	—
p ₂₁₀ (E)	7	#9	4'-11"	—
p ₂₁₁ (E)	7	#9	51'-3"	—
p ₂₁₂ (E)	7	#9	4'-9"	—
s ₂₀₇ (E)	258	#6	14'-6"	—
s ₂₀₈ (E)	80	#6	8'-10"	—
s ₂₀₉ (E)	84	#7	19'-4"	—
s ₂₁₀ (E)	670	#4	4'-9"	—
*sp ₂₀₁ (E)	7	#5	31'-5"	—
t ₂₀₁ (E)	367	#8	12'-8"	—
u ₂₀₄ (E)	6	#5	10'-9"	—
u ₂₀₅ (E)	53	#4	6'-6"	—
u ₂₀₆ (E)	18	#6	7'-9"	—
u ₂₀₇ (E)	20	#6	15'-9"	—
v ₂₁₀ (E)	91	#8	25'-9"	—
v ₂₁₁ (E)	91	#8	23'-9"	—
v ₂₁₂ (E)	6	#7	8'-10"	—
v ₂₁₃ (E)	6	#7	6'-10"	—
w ₂₀₃ (E)	28	#5	32'-6"	—
w ₂₀₄ (E)	28	#5	54'-6"	—
Structure Excavation	Cu. Yd.		375	
Concrete Structures	Cu. Yd.		469.1	
Reinforcement Bars, Epoxy Coated	Pound		68,450	
Furnishing - Piles, HP14x89	Foot		3360	
Driving Piles	Foot		3360	

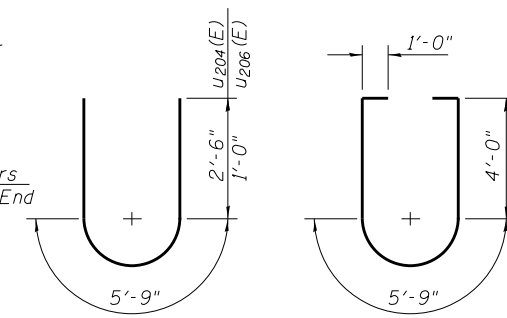
* Length is height of spiral.

DIMENSIONS

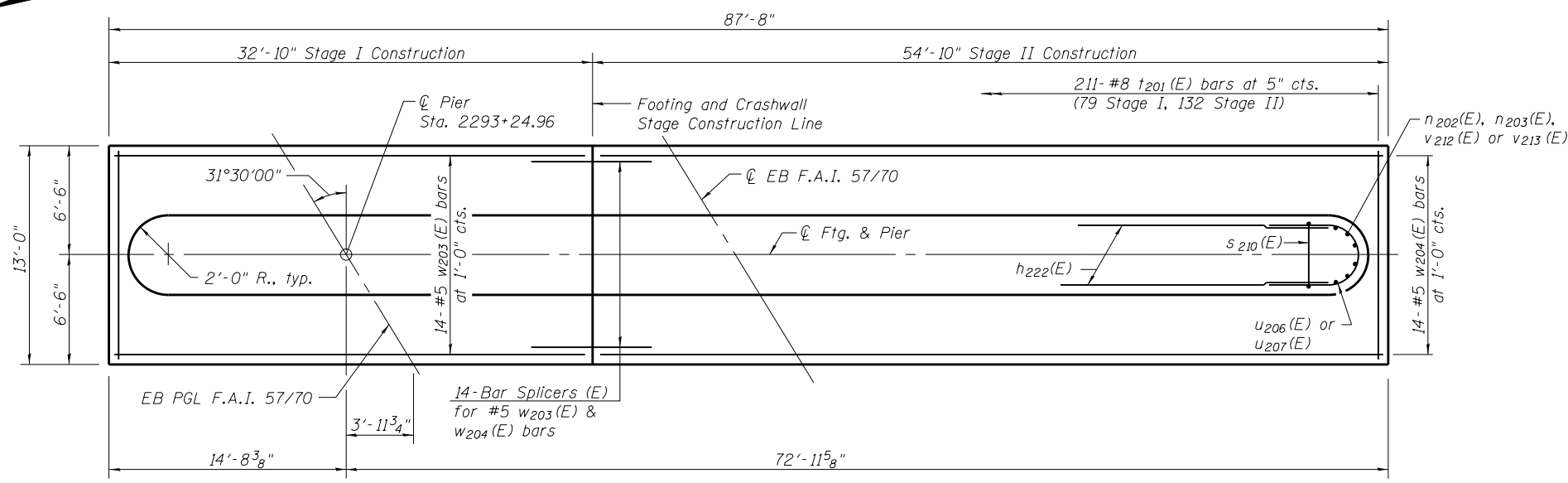
Bar	A	B	C
n ₂₀₀ (E)	7'-1"	11"	8"
n ₂₀₁ (E)	9'-1"	11"	8"
n ₂₀₂ (E)	8'-3"	10"	7"
n ₂₀₃ (E)	10'-3"	10"	7"
p ₂₀₇ (E)	37'-10"	1'-3"	11 3/4"
p ₂₀₈ (E)	56'-0"	1'-3"	11 3/4"
v ₂₁₀ (E)	24'-10"	11"	8"
v ₂₁₁ (E)	22'-10"	11"	8"



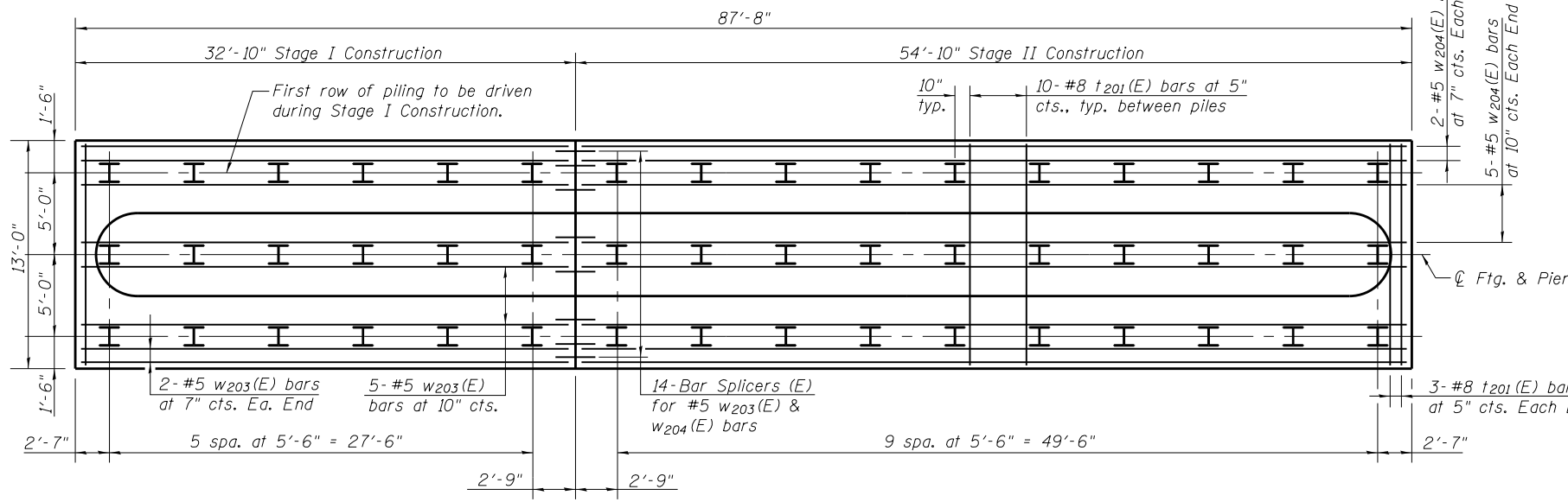
BAR



BARS u₂₀₄(E) & u₂₀₆(E) BAR u₂₀₇(E)



FOOTING PLAN
(Showing Top Reinforcement)



FOOTING PLAN
(Showing Bottom Reinforcement)