

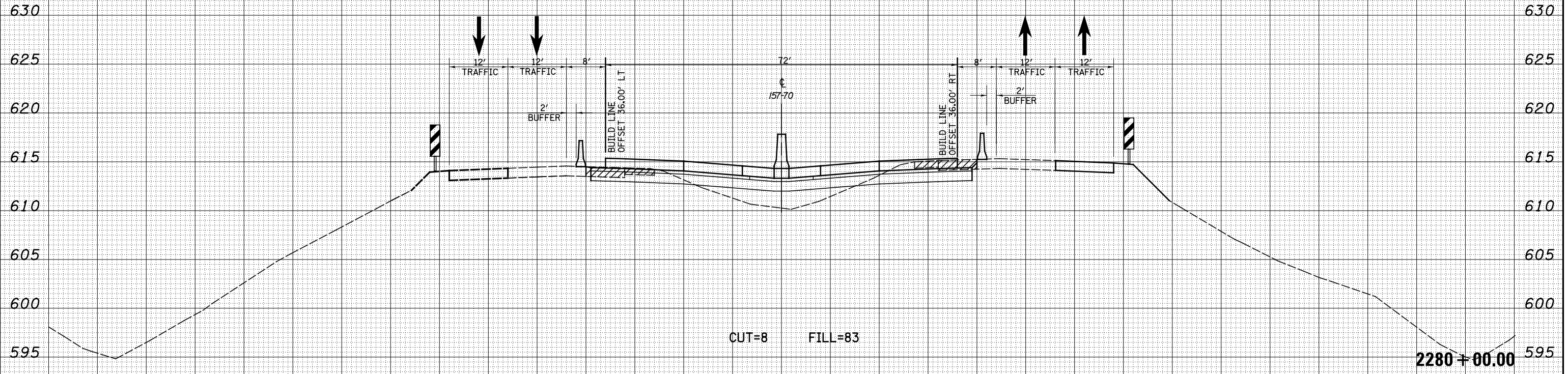
150 140 130 120 110 100 90 80 70 60 50 40 30 20 10 0 10 20 30 40 50 60 70 80 90 100 110 120 130 140 150

LEGEND

- TEMPORARY PCC PAVEMENT
- REMOVAL
- TEMPORARY HOT-MIX ASPHALT
- TEMPORARY CONCRETE BARRIER
- DRUM

DATE	BY
SURVEYED	PLOTTED
NOTE BOOK	AREAS CHECKED
NO.	

DATE	BY
SURVEYED	PLOTTED
NOTE BOOK	AREAS CHECKED
NO.	



150 140 130 120 110 100 90 80 70 60 50 40 30 20 10 0 10 20 30 40 50 60 70 80 90 100 110 120 130 140 150

FILE NAME =	USER NAME = *USERS*	DESIGNED - JWS	REVISED -			F.A. RTE.	SECTION	COUNTY	TOTAL SHEETS	SHEET NO.
S:\Projects\403-00072-57-70\dgn\Trl\l\ksh_5570_NTrivM01.dgn		DRAWN - LEC	REVISED -			57/70	(23-4)R	EFFINGHAM	1760	1096
		CHECKED - BRM	REVISED -			MAINTENANCE OF TRAFFIC NORTH TRI LEVEL - 157/70 (STAGE 1) CONTRACT NO. 74295				
		DATE -	REVISED -							
SCALE: 1"=10' SHEET NO. 9 OF 52 SHEETS STA. 2280+00.00 TO STA. 2280+00.00						FED. ROAD DIST. NO. ILLINOIS FED. AID PROJECT				

**STATE OF ILLINOIS
DEPARTMENT OF TRANSPORTATION**