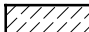

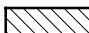




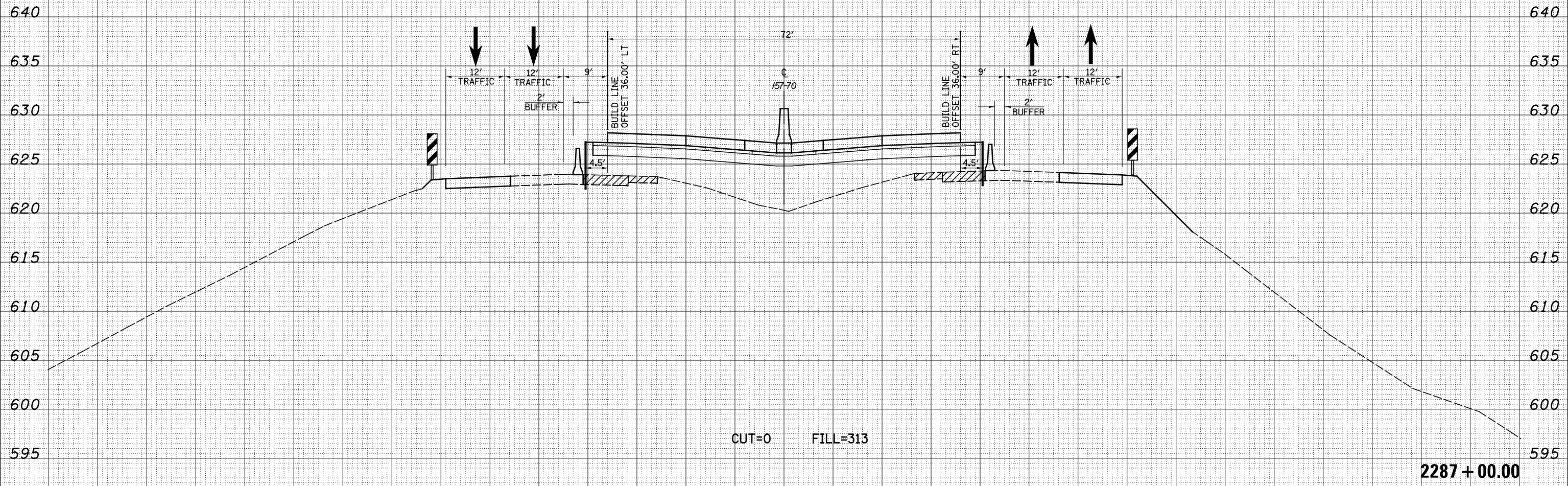
150 140 130 120 110 100 90 80 70 60 50 40 30 20 10 0 10 20 30 40 50 60 70 80 90 100 110 120 130 140 150

LEGEND

-  - TEMPORARY PCC PAVEMENT
-  - REMOVAL
-  - TEMPORARY HOT-MIX ASPHALT
-  - TEMPORARY CONCRETE BARRIER
-  - DRUM

DATE	
BY	
SURVEYED	
PLOTTED	
TEMPLATE	
AREAS CHECKED	
FINAL SURVEY NOTE BOOK NO.	

DATE	
BY	
SURVEYED	
PLOTTED	
TEMPLATE	
AREAS CHECKED	
ORIGINAL SURVEY NOTE BOOK NO.	



150 140 130 120 110 100 90 80 70 60 50 40 30 20 10 0 10 20 30 40 50 60 70 80 90 100 110 120 130 140 150

FILE NAME =
 S:\Projects\403-00072-57-70\dgn\Trl\l\ksh_5570_NTrivM01.dgn

USER NAME = *USERS*
 DESIGNED - JWS
 DRAWN - LEC
 CHECKED - BRM
 DATE -

REVISÉD -
 REVISÉD -
 REVISÉD -
 REVISÉD -

**STATE OF ILLINOIS
 DEPARTMENT OF TRANSPORTATION**

MAINTENANCE OF TRAFFIC NORTH TRI LEVEL - 157/70 (STAGE 1)
 SCALE: 1"=10' SHEET NO. 16 OF 52 SHEETS STA. 2287+00.00 TO STA. 2287+00.00

F.A. RTE.	SECTION	COUNTY	TOTAL SHEETS	SHEET NO.
57/70	(23-4)R	EFFINGHAM	1760	1103
FED. ROAD DIST. NO.			ILLINOIS FED. AID PROJECT	
			CONTRACT NO. 74295	