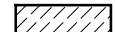

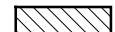




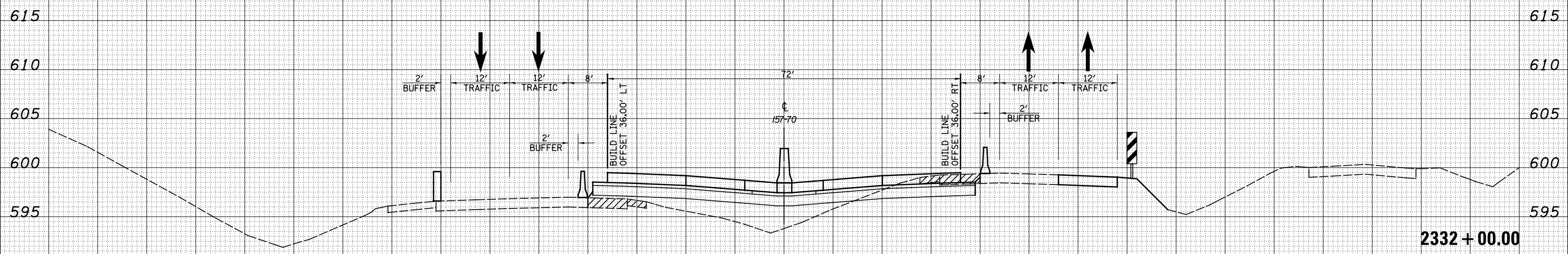
DATE	
BY	
FINAL SURVEY	
SURVEYED	
PLOTTED	
TEMPLATE	
NOTE BOOK	
AREAS CHECKED	
NO.	

DATE	
BY	
ORIGINAL SURVEY	
SURVEYED	
PLOTTED	
TEMPLATE	
NOTE BOOK	
AREAS CHECKED	
NO.	

150 140 130 120 110 100 90 80 70 60 50 40 30 20 10 0 10 20 30 40 50 60 70 80 90 100 110 120 130 140 150

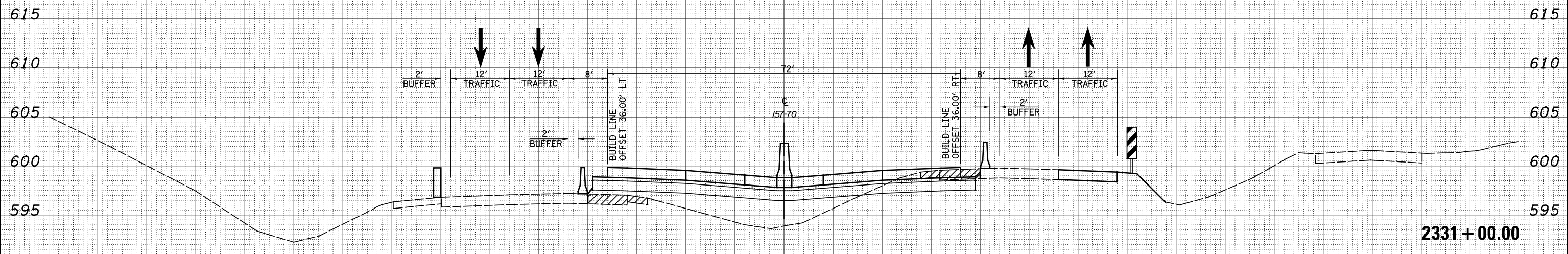
LEGEND

-  - TEMPORARY PCC PAVEMENT
-  - REMOVAL
-  - TEMPORARY HOT-MIX ASPHALT
-  - TEMPORARY CONCRETE BARRIER
-  - DRUM



CUT=6 FILL=134

2332 + 00.00



CUT=6 FILL=156

2331 + 00.00

150 140 130 120 110 100 90 80 70 60 50 40 30 20 10 0 10 20 30 40 50 60 70 80 90 100 110 120 130 140 150

FILE NAME =	USER NAME = *USERS*	DESIGNED - JWS	REVISÉD -	STATE OF ILLINOIS DEPARTMENT OF TRANSPORTATION	MAINTENANCE OF TRAFFIC NORTH TRI LEVEL - 157/70 (STAGE 1)		F.A. RTE.	SECTION	COUNTY	TOTAL SHEETS	SHEET NO.
S:\Projects\403-00072.57-70\dgn\Trl\l\ksh_5570_NTrivM01.dgn		DRAWN - LEC	REVISÉD -				57/70	(23-4)R	EFFINGHAM	1760	1132
PLOT SCALE = *SCALE*		CHECKED - BRM	REVISÉD -				CONTRACT NO. 74295				
PLOT DATE = *DATE*		DATE -	REVISÉD -				SCALE: 1"=10' SHEET NO. 45 OF 52 SHEETS STA. 2331+00.00 TO STA. 2332+00.00			FED. ROAD DIST. NO.	ILLINOIS FED. AID PROJECT