

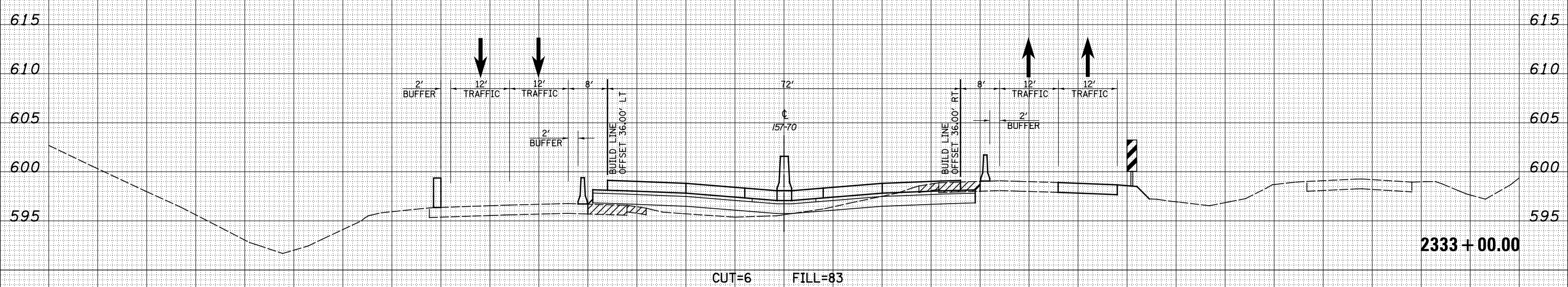
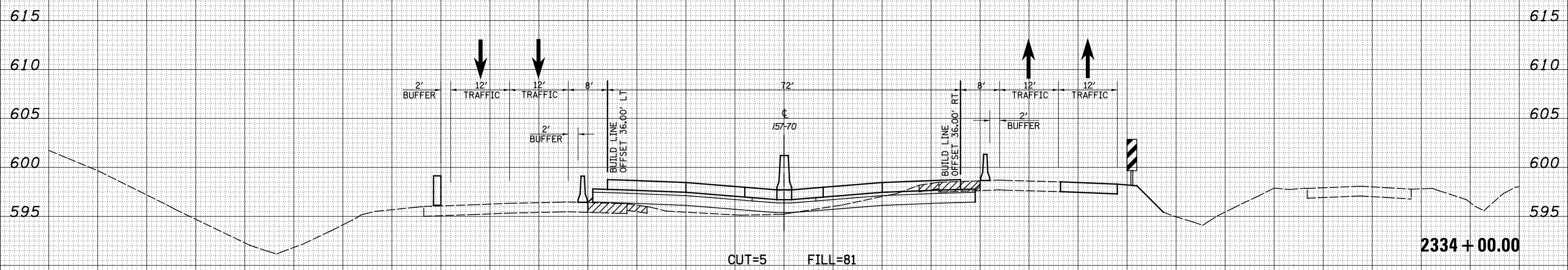
DATE	
BY	
FINAL SURVEY	
SURVEYED	
PLOTTED	
TEMPLATE	
NOTE BOOK	
AREAS CHECKED	
NO.	

DATE	
BY	
ORIGINAL SURVEY	
SURVEYED	
PLOTTED	
TEMPLATE	
NOTE BOOK	
AREAS CHECKED	
NO.	

150 140 130 120 110 100 90 80 70 60 50 40 30 20 10 0 10 20 30 40 50 60 70 80 90 100 110 120 130 140 150

**LEGEND**

- TEMPORARY PCC PAVEMENT
- REMOVAL
- TEMPORARY HOT-MIX ASPHALT
- TEMPORARY CONCRETE BARRIER
- DRUM



150 140 130 120 110 100 90 80 70 60 50 40 30 20 10 0 10 20 30 40 50 60 70 80 90 100 110 120 130 140 150

FILE NAME =  
 S:\Projects\403-00072.57-70\dgn\N Tr\ILV\ksh\_5570\_NTr\1\M01.dgn

USER NAME = \*USERS\*  
 PLOT SCALE = \*SCALE\*  
 PLOT DATE = \*DATE\*

DESIGNED - JWS  
 DRAWN - LEC  
 CHECKED - BRM  
 DATE -

REVISED -  
 REVISED -  
 REVISED -  
 REVISED -

**STATE OF ILLINOIS  
 DEPARTMENT OF TRANSPORTATION**

**MAINTENANCE OF TRAFFIC NORTH TRI LEVEL - 157/70 (STAGE 1)**

SCALE: 1"=10' SHEET NO. 46 OF 52 SHEETS STA. 2333+00.00 TO STA. 2334+00.00

F.A. RTE.	SECTION	COUNTY	TOTAL SHEETS	SHEET NO.
57/70	(23-4)R	EFFINGHAM	1760	1133
FED. ROAD DIST. NO.			ILLINOIS FED. AID PROJECT	
			CONTRACT NO. 74295	