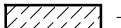

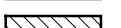
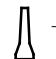

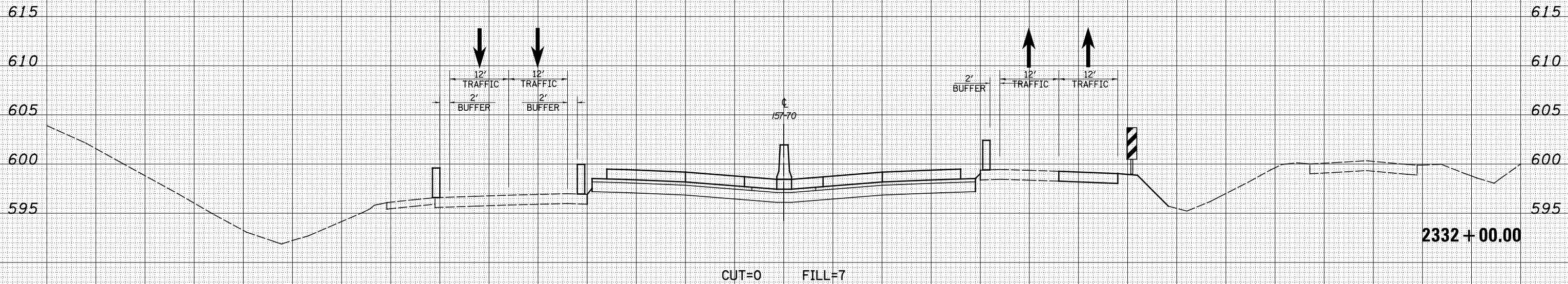


150 140 130 120 110 100 90 80 70 60 50 40 30 20 10 0 10 20 30 40 50 60 70 80 90 100 110 120 130 140 150

**LEGEND**

-  - TEMPORARY PCC PAVEMENT
-  - REMOVAL
-  - TEMPORARY HOT-MIX ASPHALT
-  - TEMPORARY CONCRETE BARRIER
-  - DRUM

DATE	BY
SURVEYED	PLOTTED
NOTE BOOK	TEMPLATE
AREAS CHECKED	AREAS CHECKED
NO.	NO.



DATE	BY
SURVEYED	PLOTTED
NOTE BOOK	TEMPLATE
AREAS CHECKED	AREAS CHECKED
NO.	NO.

