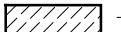

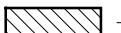


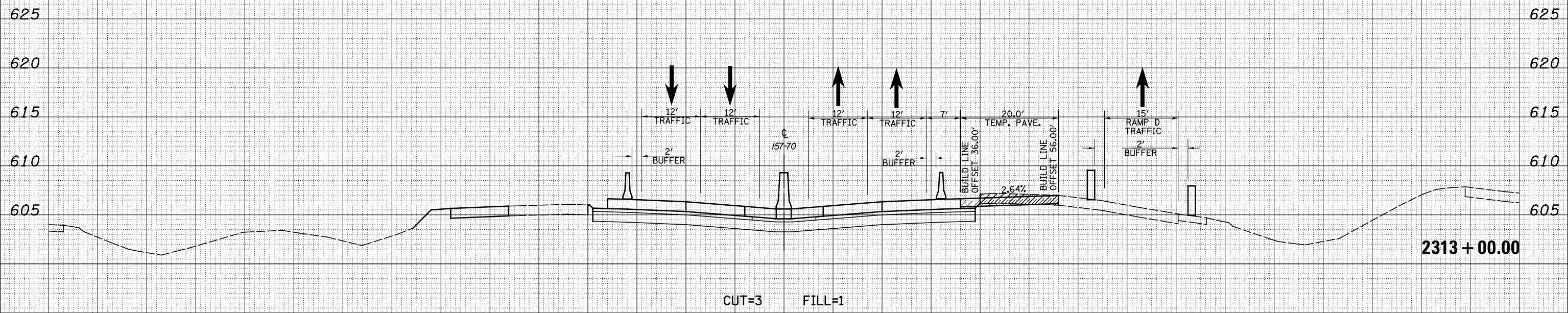
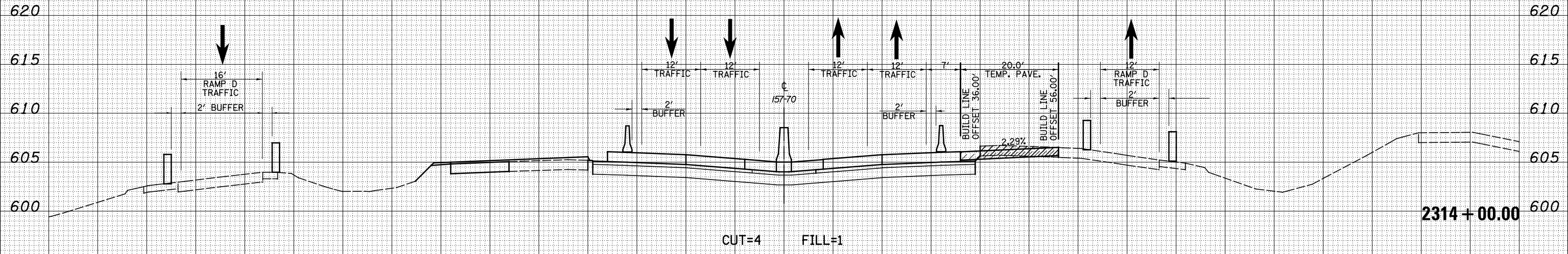


150 140 130 120 110 100 90 80 70 60 50 40 30 20 10 0 10 20 30 40 50 60 70 80 90 100 110 120 130 140 150

**LEGEND**

-  - TEMPORARY PCC PAVEMENT
-  - REMOVAL
-  - TEMPORARY HOT-MIX ASPHALT
-  - TEMPORARY CONCRETE BARRIER
-  - DRUM

DATE	
BY	
FINISHED	
NO.	
DATE	
BY	
FINISHED	
NO.	
DATE	
BY	
FINISHED	
NO.	



DATE	
BY	
FINISHED	
NO.	
DATE	
BY	
FINISHED	
NO.	
DATE	
BY	
FINISHED	
NO.	

150 140 130 120 110 100 90 80 70 60 50 40 30 20 10 0 10 20 30 40 50 60 70 80 90 100 110 120 130 140 150

FILE NAME = S:\Projects\403-00072.51-70\dgn\Tr\ILV\ksh\_5570\_NTr\1\MO1\_PS.dgn

USER NAME = \$USERS	DESIGNED - JWS	REVISED -
	DRAWN - LEC	REVISED -
PLOT SCALE = \$SCALE	CHECKED - BRM	REVISED -
PLOT DATE = \$DATE	DATE -	REVISED -

**STATE OF ILLINOIS  
DEPARTMENT OF TRANSPORTATION**

**MAINTENANCE OF TRAFFIC NORTH TRI LEVEL - I57/70 (PRE-STAGE 2)**  
SCALE: 1"=10' SHEET NO. 15 OF 21 SHEETS STA. 2313+00.00 TO STA. 2314+00.00

F.A. RTE.	SECTION	COUNTY	TOTAL SHEETS	SHEET NO.
57/70	(23-4)R	EFFINGHAM	1760	1185
FED. ROAD DIST. NO.			ILLINOIS FED. AID PROJECT	
			CONTRACT NO. 74295	