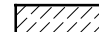

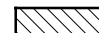




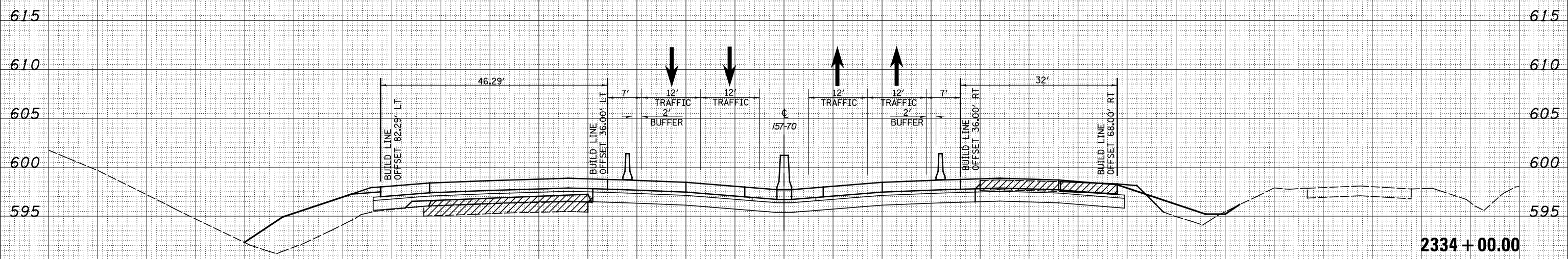
DATE	
BY	
FINAL SURVEY	
SURVEYED	
PLOTTED	
TEMPLATE	
NOTE BOOK	
AREAS CHECKED	
NO.	

DATE	
BY	
ORIGINAL SURVEY	
SURVEYED	
PLOTTED	
TEMPLATE	
NOTE BOOK	
AREAS CHECKED	
NO.	

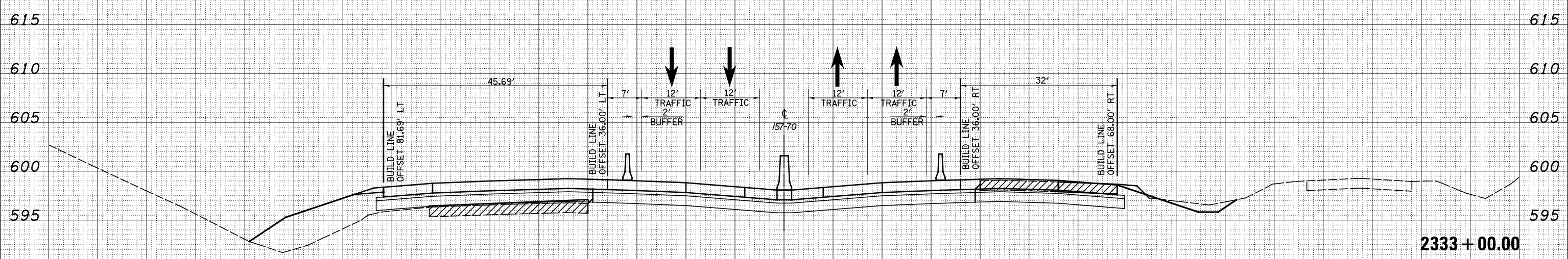
150 140 130 120 110 100 90 80 70 60 50 40 30 20 10 0 10 20 30 40 50 60 70 80 90 100 110 120 130 140 150

LEGEND

-  - TEMPORARY PCC PAVEMENT
-  - REMOVAL
-  - TEMPORARY HOT-MIX ASPHALT
-  - TEMPORARY CONCRETE BARRIER
-  - DRUM



CUT=15 FILL=150



CUT=28 FILL=147