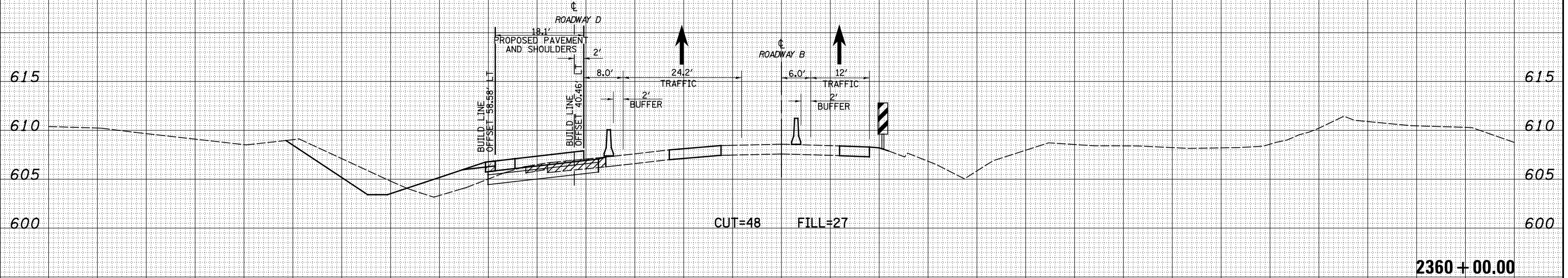


150 140 130 120 110 100 90 80 70 60 50 40 30 20 10 0 10 20 30 40 50 60 70 80 90 100 110 120 130 140 150

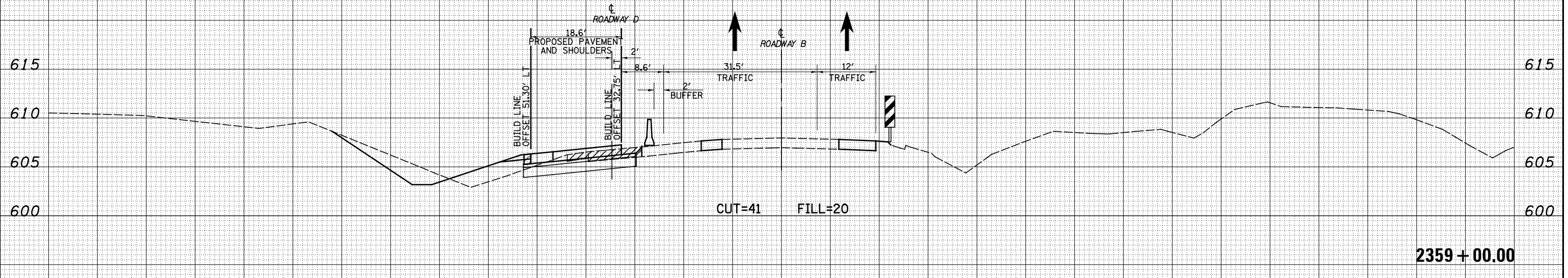
LEGEND

- TEMPORARY PCC PAVEMENT
- REMOVAL
- TEMPORARY HOT-MIX ASPHALT
- TEMPORARY CONCRETE BARRIER
- DRUM

DATE	
BY	
FINAL SURVEY	
PLOTTED TEMPLATE	
NOTE BOOK	
AREAS CHECKED	
NO.	



DATE	
BY	
ORIGINAL SURVEY	
PLOTTED TEMPLATE	
NOTE BOOK	
AREAS CHECKED	
NO.	



150 140 130 120 110 100 90 80 70 60 50 40 30 20 10 0 10 20 30 40 50 60 70 80 90 100 110 120 130 140 150

FILE NAME = S:\Projects\03-00072.57-70.dwg
 USER NAME = *USERS*
 PLOT SCALE = *SCALE*
 PLOT DATE = *DATE*

DESIGNED - JWS	REVISÉD -
DRAWN - SGK	REVISÉD -
CHECKED - BRM	REVISÉD -
DATE - 5-02-08	REVISÉD -

**STATE OF ILLINOIS
DEPARTMENT OF TRANSPORTATION**

MAINTENANCE OF TRAFFIC NORTH TRI LEVEL - ROADWAY B (STAGE 1)

SCALE: 1"=10' SHEET NO. 9 OF 30 SHEETS STA. 2359+00.00 TO STA. 2360+00.00

F.A.I. RTE.	SECTION	COUNTY	TOTAL SHEETS	SHEET NO.
57/70	(25-4)R	EFFINGHAM	1760	1317
FED. ROAD DIST. NO. ILLINOIS FED. AID PROJECT			CONTRACT NO. 74295	