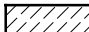

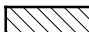


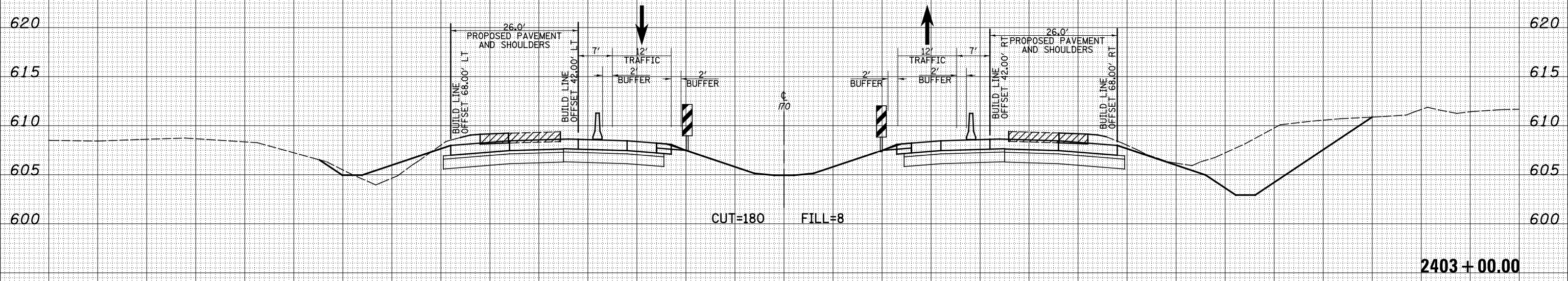


150 140 130 120 110 100 90 80 70 60 50 40 30 20 10 0 10 20 30 40 50 60 70 80 90 100 110 120 130 140 150

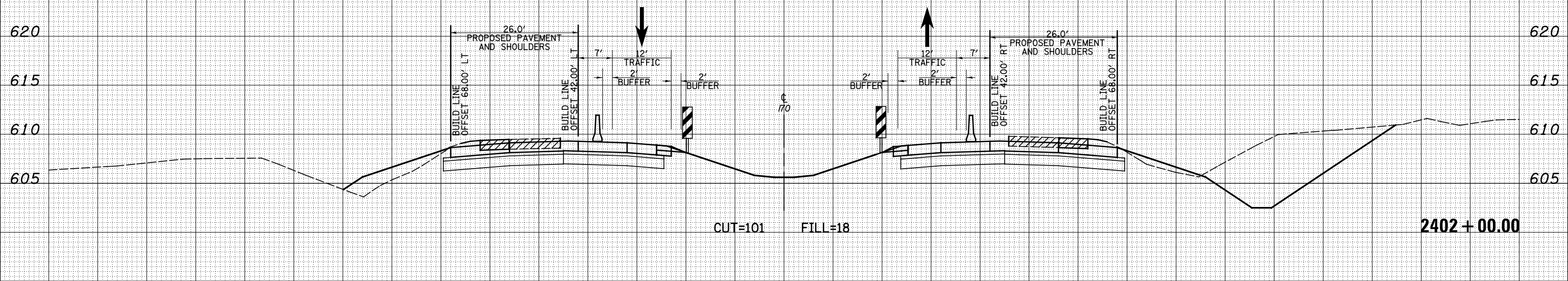
LEGEND

-  - TEMPORARY PCC PAVEMENT
-  - REMOVAL
-  - TEMPORARY HOT-MIX ASPHALT
-  - TEMPORARY CONCRETE BARRIER
-  - DRUM

DATE	
BY	
FINAL SURVEY	
SURVEYED	
PLOTTED	
TEMPLATE	
NOTE BOOK	
AREAS CHECKED	
NO.	



DATE	
BY	
ORIGINAL SURVEY	
SURVEYED	
PLOTTED	
TEMPLATE	
NOTE BOOK	
AREAS CHECKED	
NO.	



150 140 130 120 110 100 90 80 70 60 50 40 30 20 10 0 10 20 30 40 50 60 70 80 90 100 110 120 130 140 150

FILE NAME = S:\Projects\403-00072-51-70\dgn\Trl\l\ksh\J0EM07_S2.dgn

USER NAME = \$USER\$
 DESIGNED - JWS
 DRAWN - LEC
 CHECKED - BRM
 DATE - 12-15-08

REVISED -
 REVISED -
 REVISED -
 REVISED -

**STATE OF ILLINOIS
 DEPARTMENT OF TRANSPORTATION**

MAINTENANCE OF TRAFFIC NORTH TRI LEVEL - 170 EAST (STAGE 2)

SCALE: 1"=10' SHEET NO. 4 OF 11 SHEETS STA. 2402+00.00 TO STA. 2403+00.00

F.A.I. RTE.	SECTION	COUNTY	TOTAL SHEETS	SHEET NO.
57/70	(25-4)R	EFFINGHAM	1760	1396
FED. ROAD DIST. NO. ILLINOIS FED. AID PROJECT			CONTRACT NO. 74295	