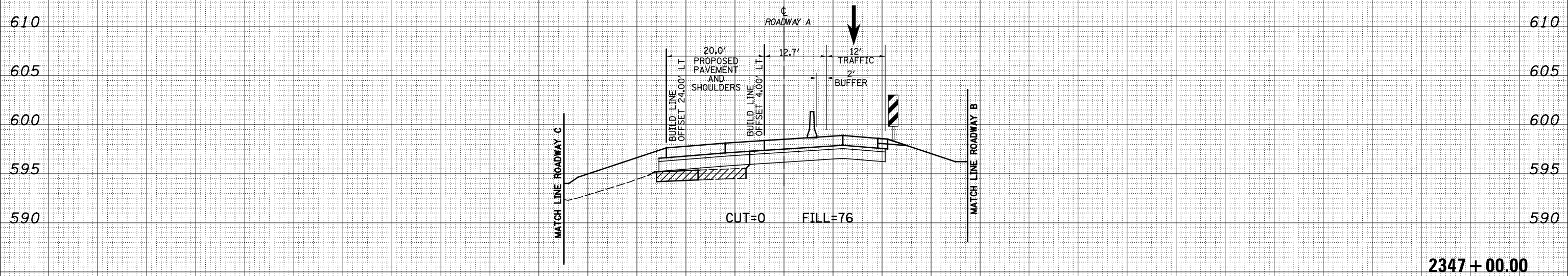


150 140 130 120 110 100 90 80 70 60 50 40 30 20 10 0 10 20 30 40 50 60 70 80 90 100 110 120 130 140 150

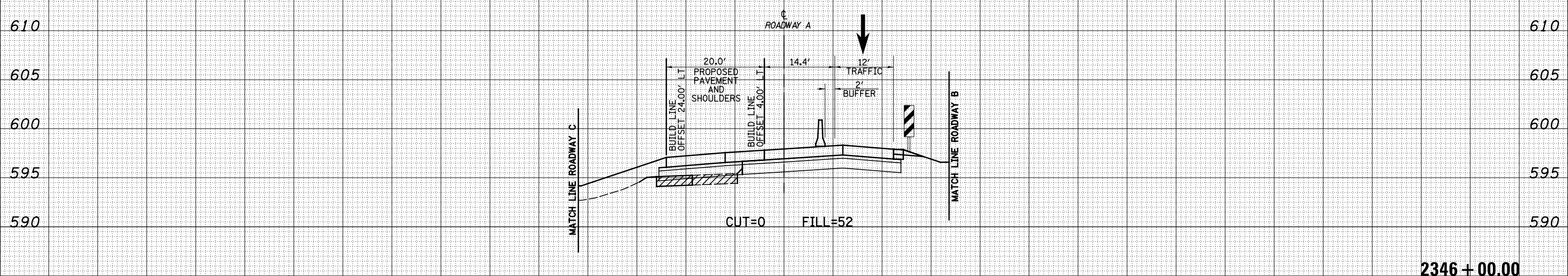
LEGEND

- TEMPORARY PCC PAVEMENT
- REMOVAL
- TEMPORARY HOT-MIX ASPHALT
- TEMPORARY CONCRETE BARRIER
- DRUM

DATE	BY	SURVEYED	PLOTTED	TEMPLATE	AREAS	CHECKED



DATE	BY	SURVEYED	PLOTTED	TEMPLATE	AREAS	CHECKED



150 140 130 120 110 100 90 80 70 60 50 40 30 20 10 0 10 20 30 40 50 60 70 80 90 100 110 120 130 140 150

FILE NAME = S:\Projects\403-00072-57-70.dgn\11\Ink\veh\1700040101.dgn

USER NAME = *USERS*	DESIGNED - JWS	REVISED -
PLOT SCALE = *SCALE*	DRAWN - SGK	REVISED -
PLOT DATE = *DATE*	CHECKED - BRM	REVISED -
	DATE - 12-16-08	REVISED -

**STATE OF ILLINOIS
DEPARTMENT OF TRANSPORTATION**

MAINTENANCE OF TRAFFIC NORTH TRI LEVEL - ROADWAY A (STAGE 2)

SCALE: 1"=10' SHEET NO. 3 OF 33 SHEETS STA. 2346+00.00 TO STA. 2347+00.00

F.A.I. RTE.	SECTION	COUNTY	TOTAL SHEETS	SHEET NO.
57/70	(25-4)R	EFFINGHAM	1760	1567
FED. ROAD DIST. NO. ILLINOIS FED. AID PROJECT			CONTRACT NO. 74295	