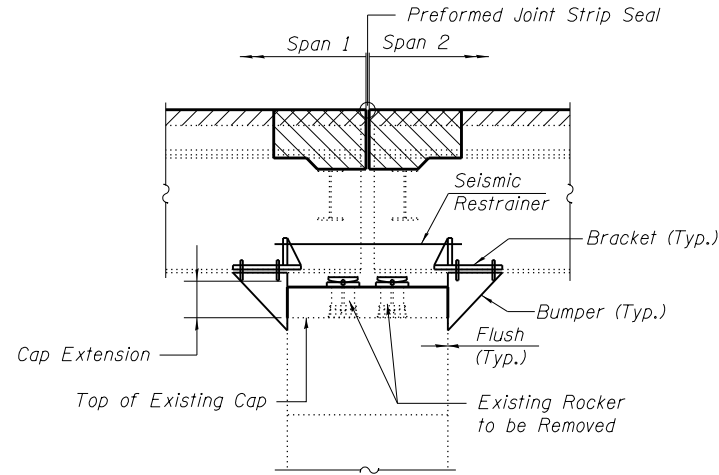
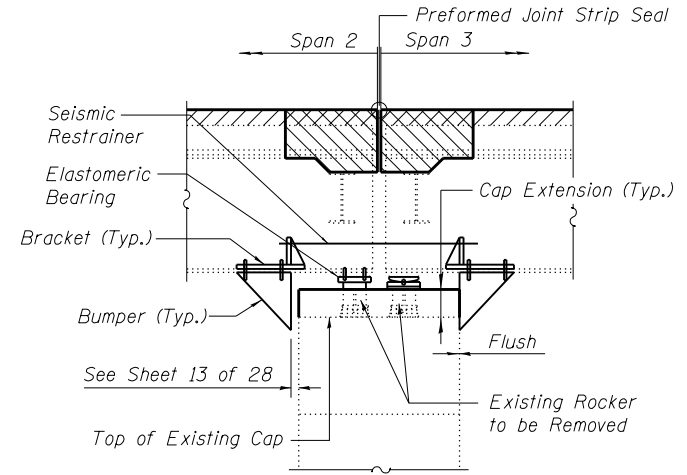


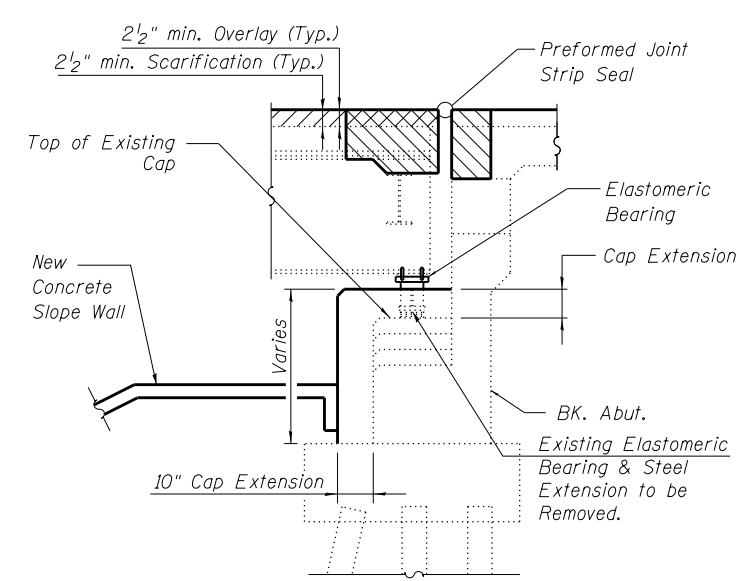
SECTION A-A



SECTION B-B

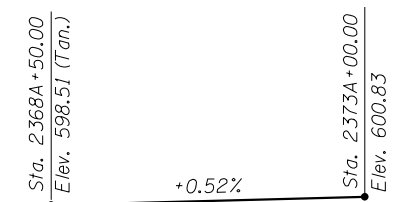


SECTION C-C

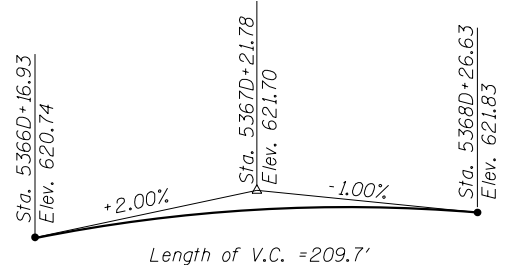


SECTION D-D

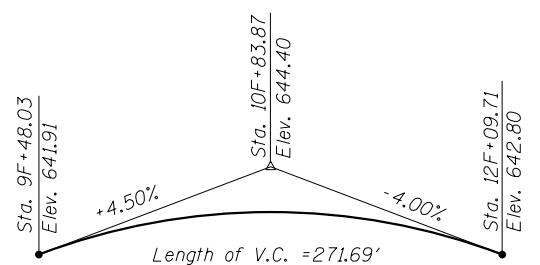
Indicates Removal and Replacement of Concrete, Removal of Existing Neoprene Expansion Joints and Preformed Joint Seals



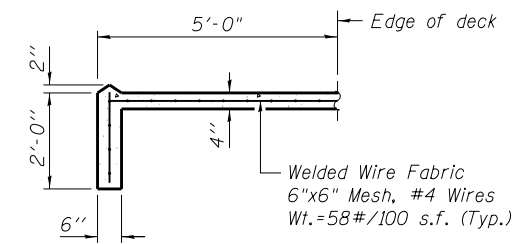
PROPOSED PROFILE GRADE
(F.A.I. Route 57 Line "A")



PROPOSED PROFILE GRADE
(F.A.I. Route 57 Line "D")



PROFILE GRADE
(F.A.I. Route 70 Line "F")



SECTION E-E

Note: For Roadway Intersection Plan see Roadway Plans.

HORIZONTAL CURVE DATA

(Existing)
P.I. Sta. 2370A+35.89 "Line" A
D = 1°0'00"
Δ = 27°0'00" (RT)
R = 5729.59'
T = 1375.55'
L = 2700.00'
E = 162.81'

HORIZONTAL CURVE DATA

(Existing)
P.I. Sta. 5369D+55.95 "Line" D
D = 2°59'01"
Δ = 76°36'19" (LT)
R = 1920.30'
T = 1516.71'
L = 2567.47'
E = 526.73'

HORIZONTAL CURVE DATA

(Existing)
P.I. Sta. 15F+63.72 "Line" F
D = 8° 11' 35"
Δ = 85°16'42" (RT)
R = 699.33'
T = 643.95'
L = 1040.88'
E = 251.32'

FILE NAME = 0250002-74295-003.dgn BERNHARDT LOCHMÜLLER & ASSOCIATES, INC. 3 OAK DRIVE MARYVILLE, IL 62442 PHONE (618) 281-4666 FAX (618) 281-4666	USER NAME =	DESIGNED - BB CHECKED - ACS DRAWN - WJS CHECKED - CJF & BB	REVISED - REVISED - REVISED - REVISED -	STATE OF ILLINOIS DEPARTMENT OF TRANSPORTATION	GENERAL INFORMATION STRUCTURE NO. 025-0002 SHEET NO. 3 OF 28 SHEETS	F.A.I. RTE. = 57	SECTION = (25-4HB)I-4 SN 025-0002	COUNTY = EFFINGHAM	TOTAL SHEETS = 1760 SHEET NO. = 1680
	PLOT SCALE =	PLOT DATE = 1:55:50 PM 8/15/2013	CONTRACT NO. 74295			FED. ROAD DIST. NO. 7 ILLINOIS FED. AID PROJECT			