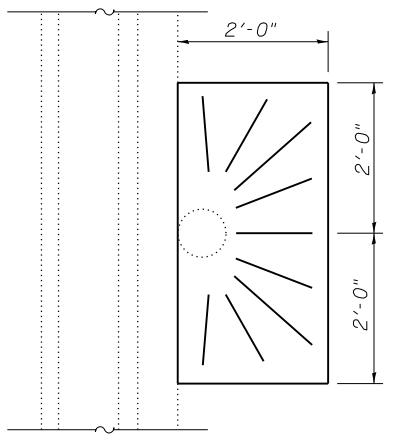
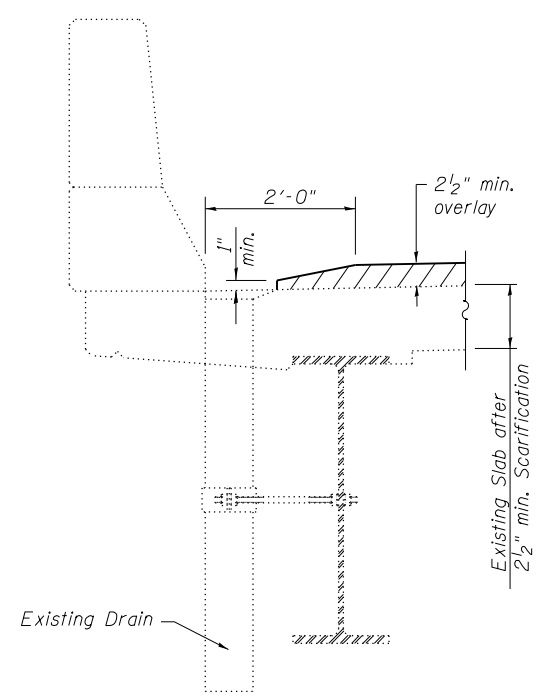


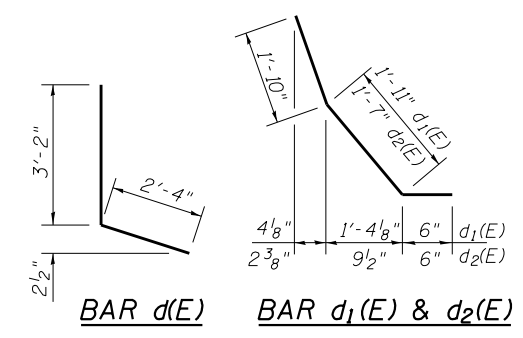
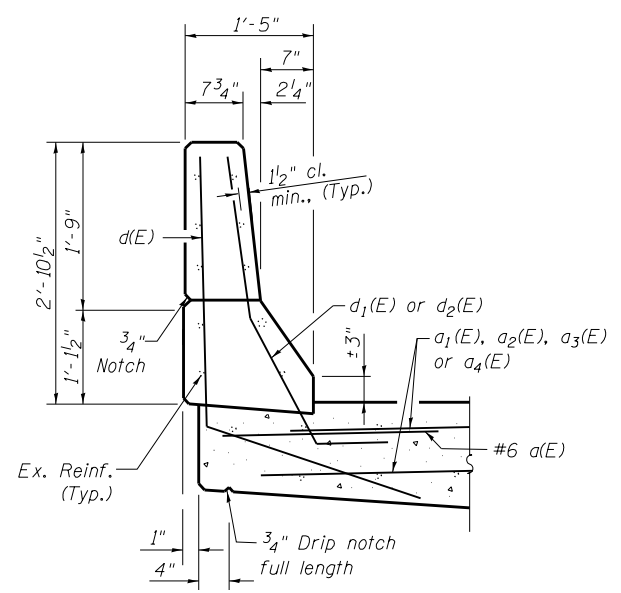
WEST PARAPET ELEVATION

EAST PARAPET ELEVATION

*Dimensions are along the back face of the parapet at 50° F.



OVERLAY DETAIL FOR EXISTING DECK DRAINS THAT ARE TO REMAIN OPEN



BILL OF MATERIAL

Bar	No.	Size	Length	Shape
d(E)	48	#6	6'-0"	—
a ₁ (E)	18	#5	27'-7"	—
a ₂ (E)	32	#5	26'-5"	—
a ₃ (E)	32	#5	25'-3"	—
a ₄ (E)	18	#5	24'-3"	—
d(E)	60	#4	5'-6"	L
d ₁ (E)	20	#5	4'-3"	L
d ₂ (E)	40	#5	3'-11"	L
x(E)	204	#5	3'-5"	—
Concrete Superstructure			Cu. Yd.	38.3
Reinforcement Bars, Epoxy Coated			Pound	4330
Bar Splicers			Each	50
Concrete Bridge Deck Scarification, 2 ¹ / ₂ "			Sq. Yd.	658
Bridge Deck Fly Ash or GGBF Concrete Overlay, 2 ¹ / ₂ "			Sq. Yd.	658

Note:
See sheets 19 and 22 of 28 for End Post Details and Quantities.
See sheet 21 of 28 for Plan View of North Abutment Parapets for additional details.
Existing reinforcement shall be cleaned and incorporated into the new construction. Cost included with Concrete Removal.