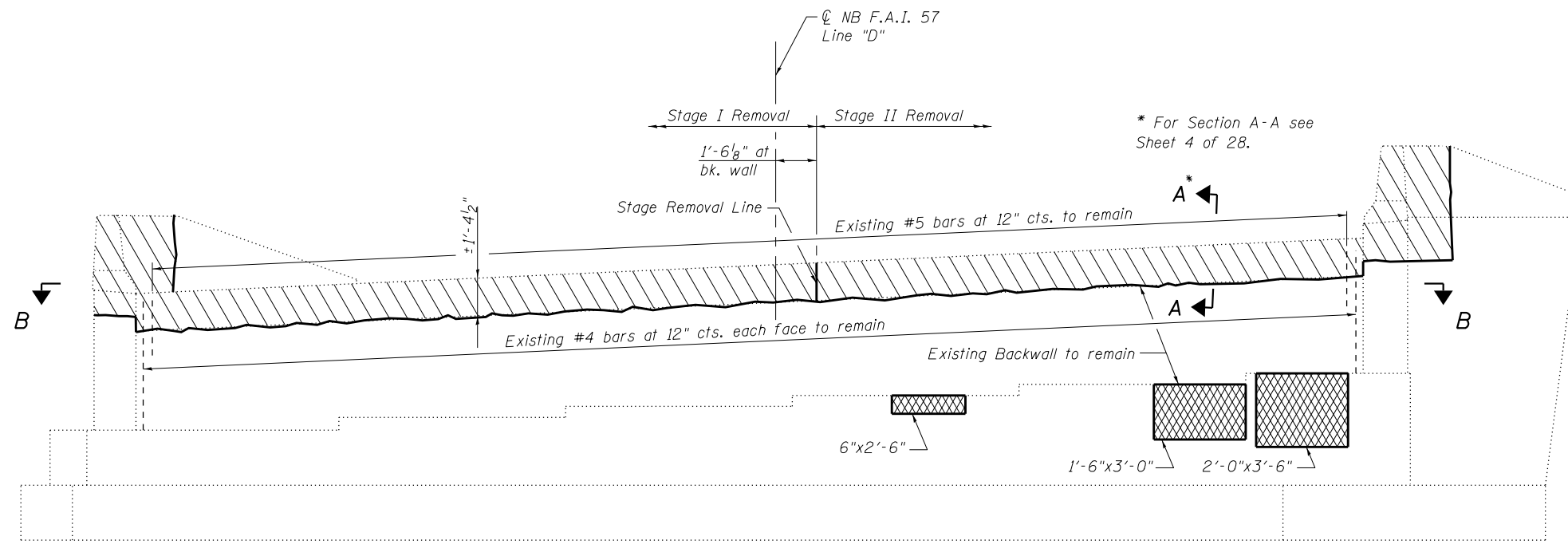
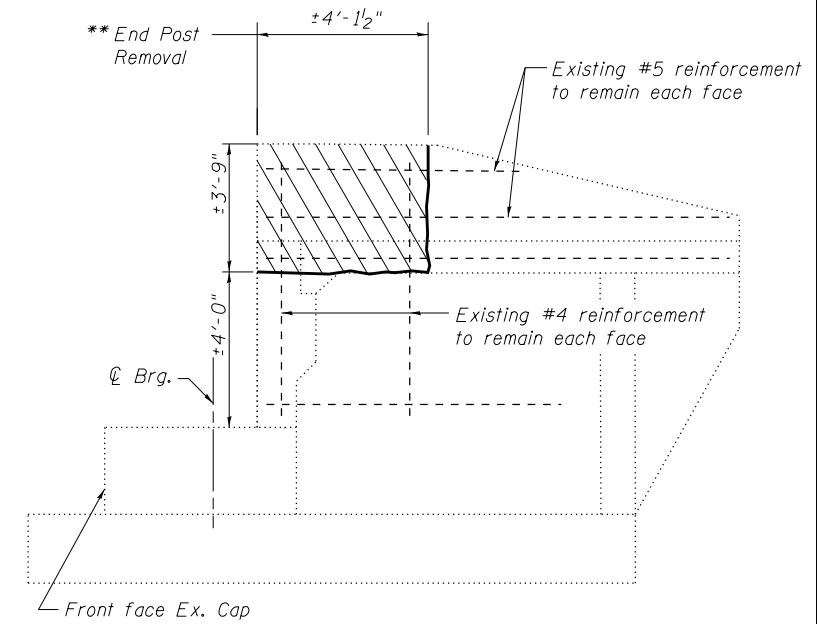


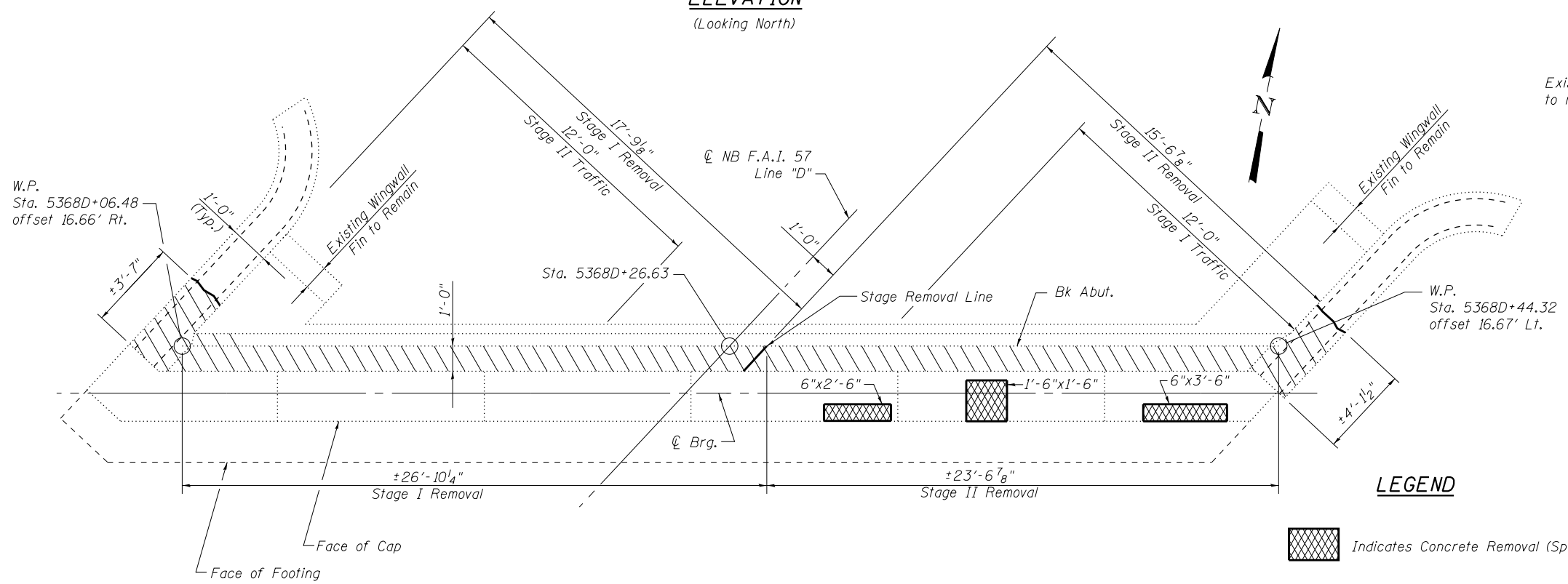
** For End Post Removal Limits see Sheet 4 of 28.



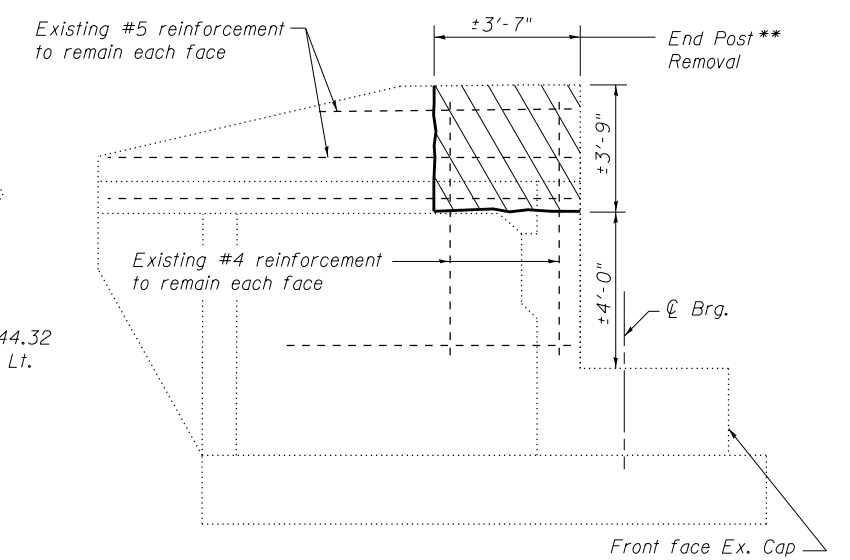
ELEVATION
(Looking North)



EAST WING WALL



VIEW B-B
NORTH ABUTMENT



WEST WING WALL

LEGEND

- Indicates Concrete Removal (Special)
- Indicates Concrete Removal

Notes:
The quantities shown are for estimating purposes only. The area to be repaired will be determined by the Engineer at the time of construction. Actual repair locations shall be shown on As-built plans.

BILL OF MATERIAL

| Item | Unit | Total |
|----------------------------|---------|-------|
| Concrete Removal | Cu. Yd. | 3.6 |
| Concrete Removal (Special) | Sq. Yd. | 2 |