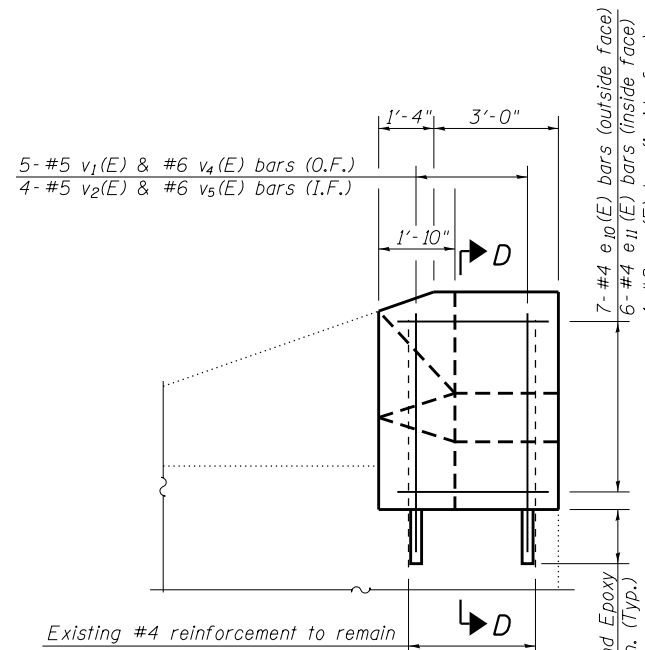


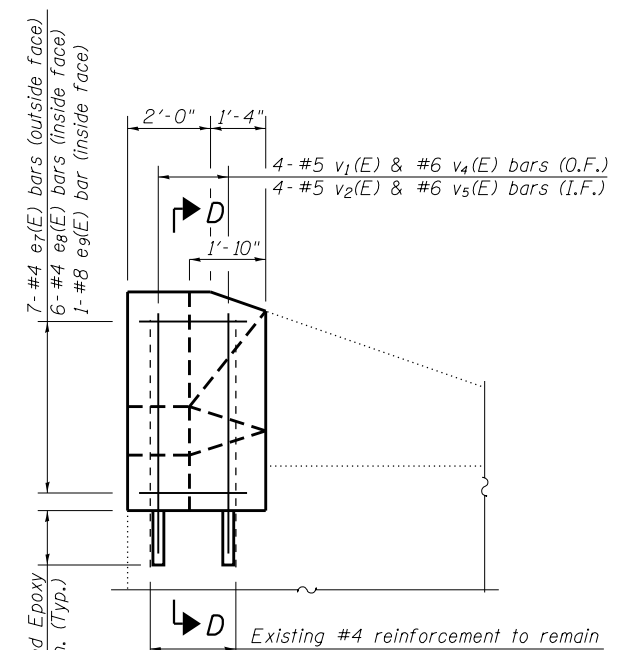
Dimensions at Rt L's

**SECTION A-A
THRU ABUTMENT SHOWING OUTLINE**



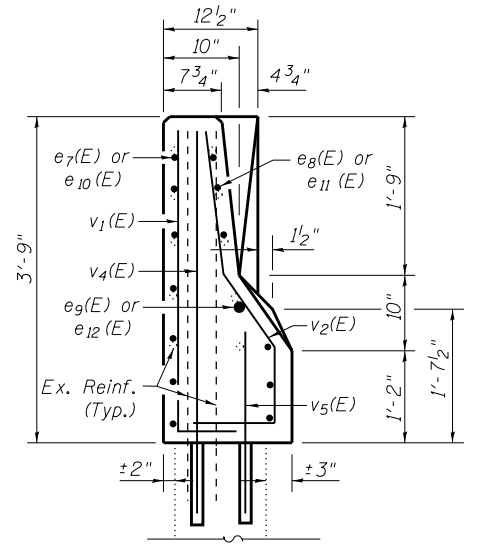
VIEW B-B

(West Parapet)



VIEW C-C

(East Parapet)

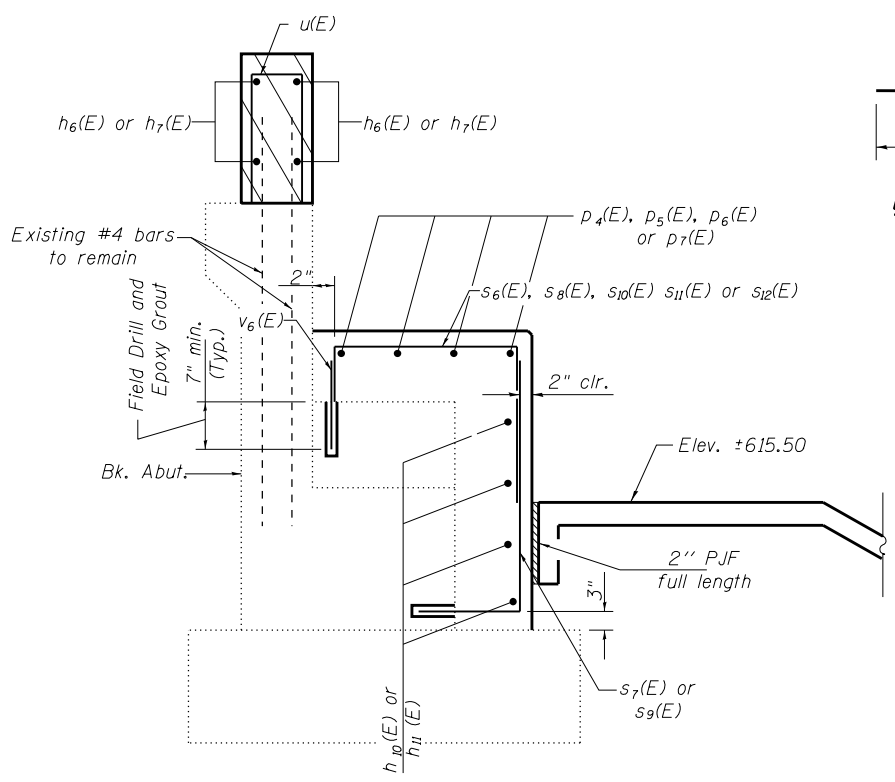


**SECTION D-D
ENDPOST**

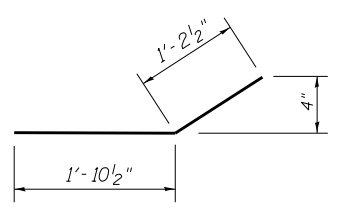
NORTH ABUTMENT BILL OF MATERIAL

Bar	No.	Size	Length	Shape
e7(E)	7	#4	3'-1"	—
e8(E)	6	#4	3'-1"	—
e9(E)	1	#8	3'-1"	—
e10(E)	7	#4	4'-1"	—
e11(E)	6	#4	4'-1"	—
e12(E)	1	#8	4'-1"	—
h6(E)	4	#6	24'-4"	—
h7(E)	4	#6	24'-7"	—
h8(E)	5	#5	24'-0"	—
h9(E)	1	#5	8'-10"	—
h10(E)	3	#5	26'-1"	—
h11(E)	1	#5	21'-0"	—
n3(E)	7	#5	3'-6"	—
n4(E)	4	#5	4'-9"	—
n5(E)	4	#4	2'-3"	—
p4(E)	4	#5	8'-8"	—
p5(E)	16	#5	8'-11"	—
p6(E)	2	#5	6'-10"	—
p7(E)	2	#5	9'-2"	—
s6(E)	27	#5	6'-10"	—
s7(E)	27	#5	4'-9"	—
s8(E)	28	#5	5'-9"	—
s9(E)	30	#5	3'-8"	—
s10(E)	3	#5	4'-9"	—
s11(E)	1	#5	5'-10"	—
s12(E)	1	#5	5'-4"	—
u(E)	51	#5	3'-1"	—
v1(E)	9	#5	4'-4"	—
v2(E)	8	#5	4'-6"	—
v3(E)	1	#4	3'-8"	—
v4(E)	9	#6	4'-2"	—
v5(E)	8	#6	2'-3"	—
v6(E)	58	#5	1'-2"	—
Structure Excavation	Cu. Yd.		9.0	
Concrete Structures	Cu. Yd.		9.4	
Concrete Superstructures	Cu. Yd.		3.7	
Reinforcement Bars, Epoxy Coated	Pound		1920	
Bar Splicers	Each		9	
Concrete Sealer	Sq. Ft.		560	

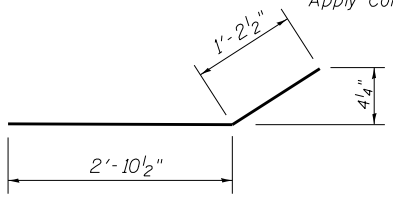
Notes:
 For Endpost details see Sheet 7 of 28.
 For additional bar bend details see Sheet 19 of 28.
 Hatched area quantity of concrete included with Concrete Superstructure.
 Bars shall be drilled and grouted according to Section 584 of the Standard Specifications.
 Apply Concrete Sealer to exposed horizontal and vertical faces of abutment extension.



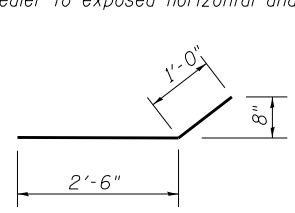
**SECTION A-A
THRU ABUTMENT SHOWING REINFORCEMENT**



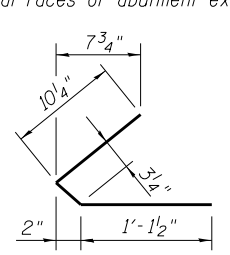
BARS e8(E) & e9(E)



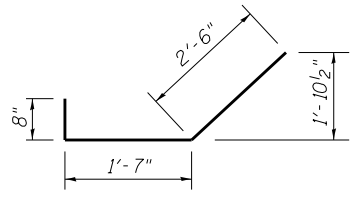
BARS e11(E) & e12(E)



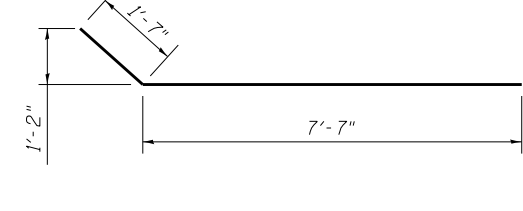
BAR n3(E)



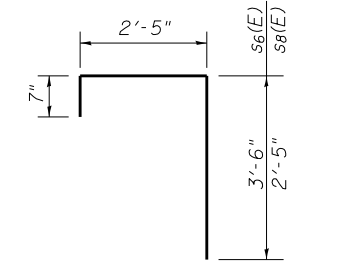
BAR n5(E)



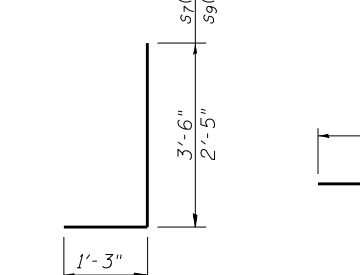
BAR n4(E)



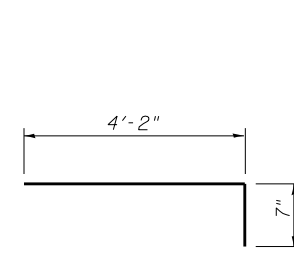
BAR p7(E)



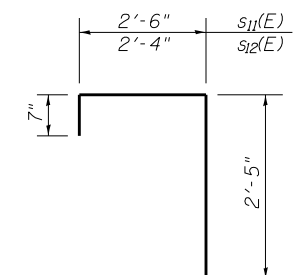
BARS s6(E) & s8(E)



BARS s7(E) & s9(E)



BAR s10(E)



BARS s11(E) & s12(E)