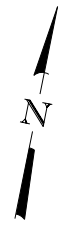
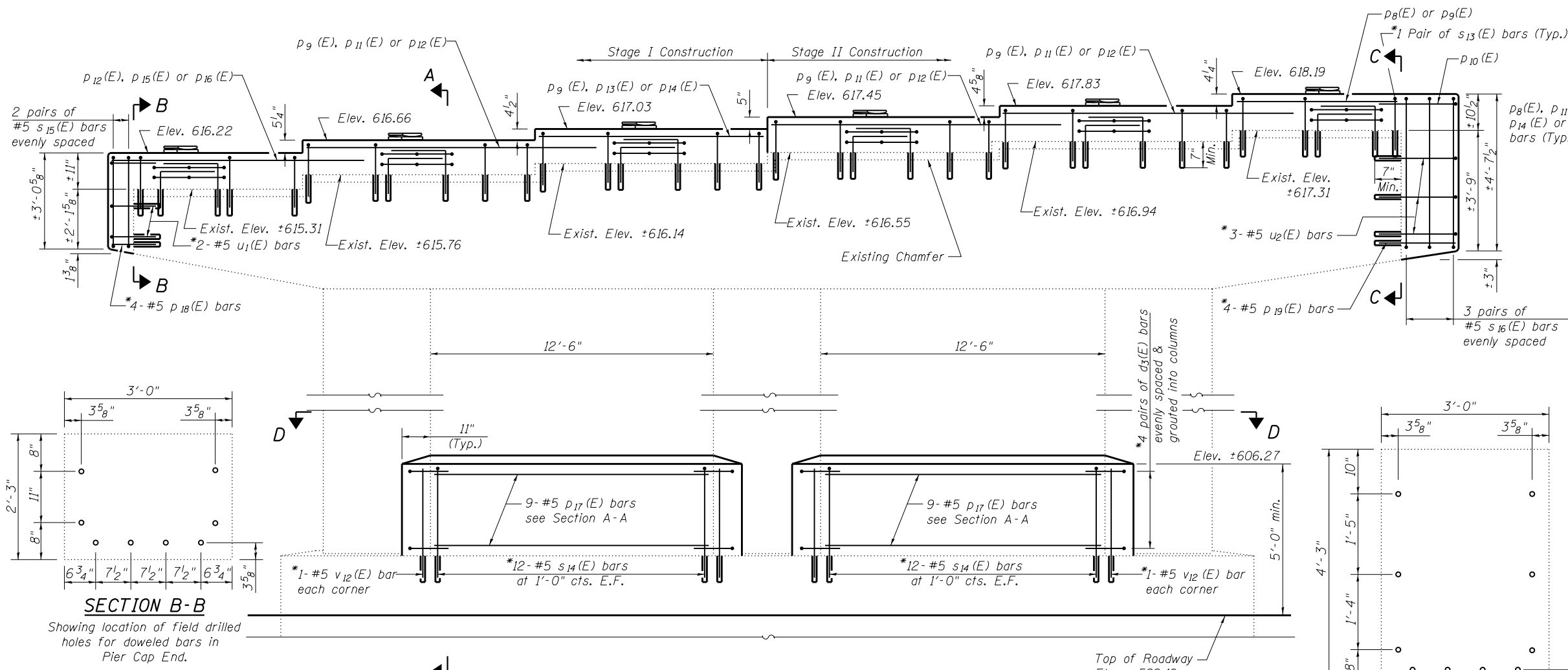


**PLAN CAP**

(New Side Retainers not shown for clarity)

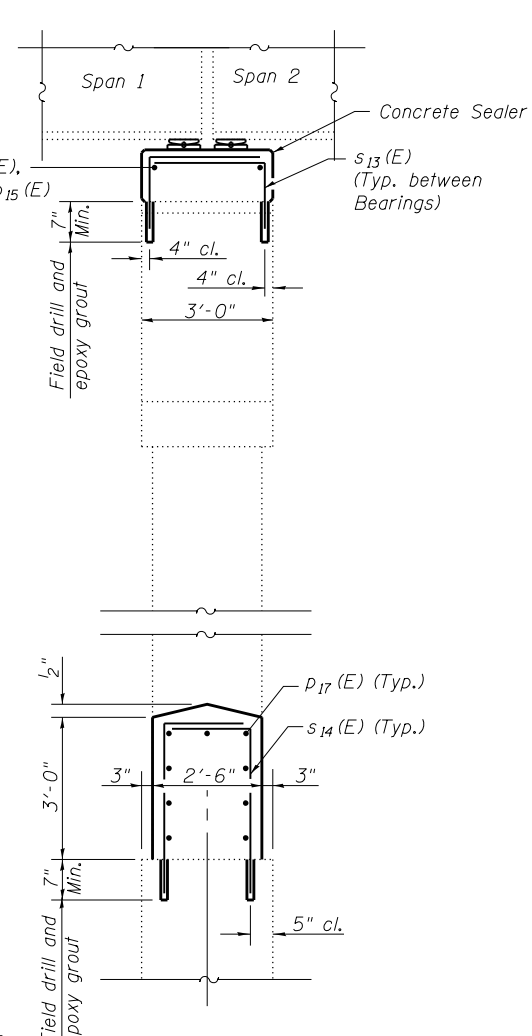


Notes:  
 For Detail A see Sheet 24 of 28.  
 For View D-D see Sheet 24 of 28.  
 Bars shall be drilled and grouted according to Section 584 of the Standard Specifications.  
 Concrete Sealer shall be applied only to exposed surface of the new concrete on Pier 1.



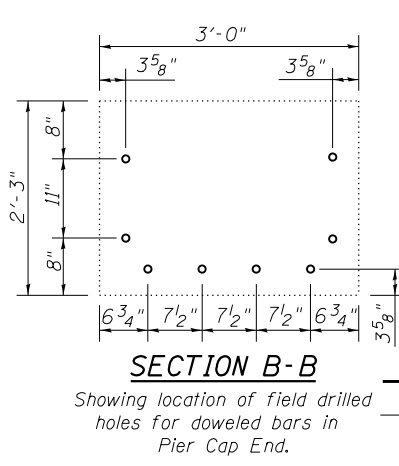
**ELEVATION**

(Looking North)



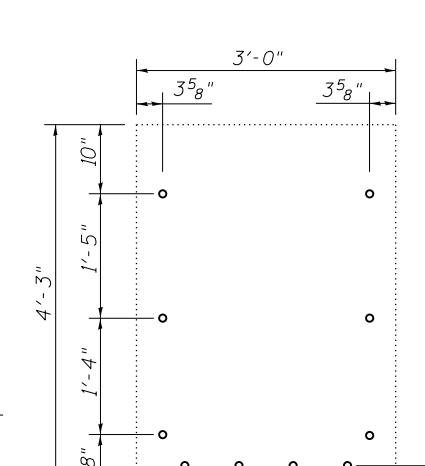
**SECTION A-A**

(Showing Bearings and Superstructure)



**SECTION B-B**

Showing location of field drilled holes for doweled bars in Pier Cap End.



**SECTION C-C**

Showing location of field drilled holes for doweled bars in Pier Cap End.

\*Field drill and epoxy grout, 7" min. embedment.

FILE NAME = 0250002-74295-023.dgn  
 BERNAHEIN LOCHMULLER & ASSOCIATES, INC.  
 3 OAK DRIVE  
 MARYVILLE, IL 62438  
 PHONE (618) 281-4666  
 FAX (618) 288-4666

USER NAME =  
 PLOT SCALE =  
 PLOT DATE = 1:56:45 PM 8/15/2013

DESIGNED - BB  
 CHECKED - ACS  
 DRAWN - WJS  
 CHECKED - CJF & BB

REVISED -  
 REVISED -  
 REVISED -  
 REVISED -

**STATE OF ILLINOIS  
 DEPARTMENT OF TRANSPORTATION**

**PIER 1 GENERAL PLAN  
 STRUCTURE NO. 025-0002**

SHEET NO. 23 OF 28 SHEETS

F.A.I. RE. 57	SECTION (25-4HB)I-4	COUNTY EFFINGHAM	TOTAL SHEETS 1760	SHEET NO. 1700
SN 025-0002		CONTRACT NO. 74295		
FED. ROAD DIST. NO. 7 ILLINOIS FED. AID PROJECT				