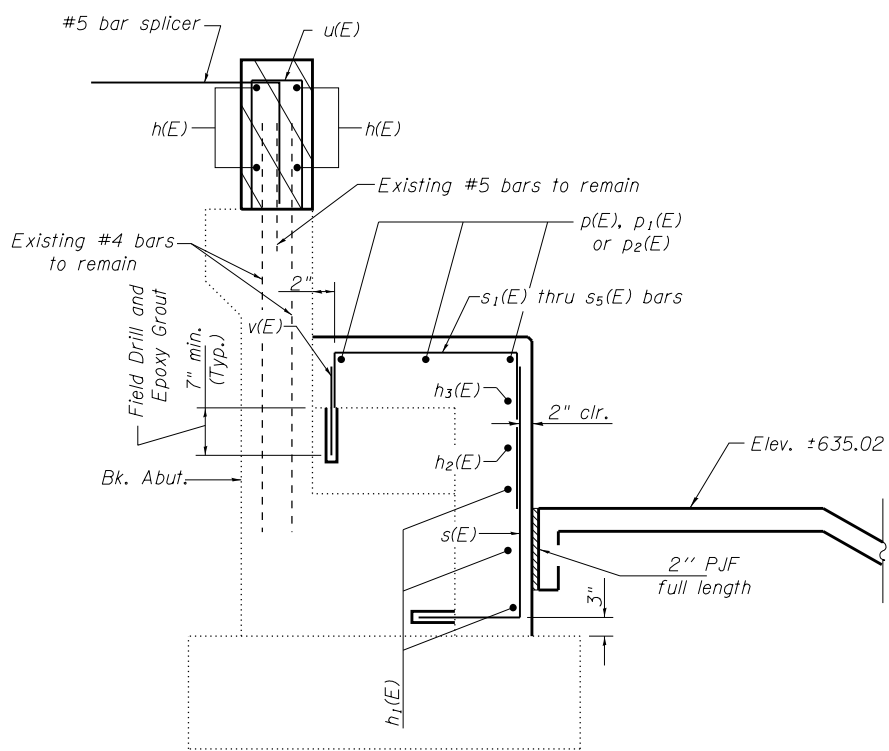


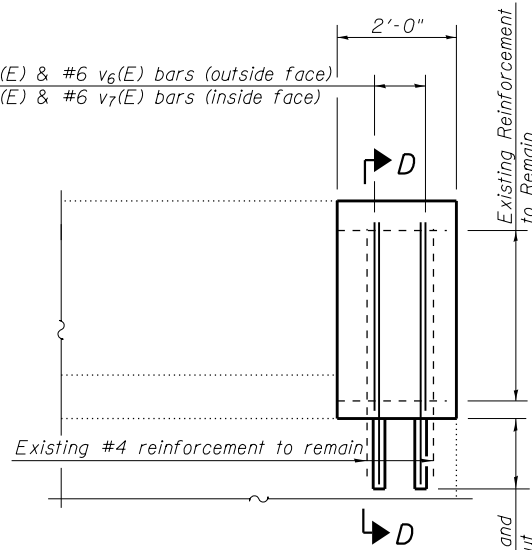
Dimensions at Rt L

**SECTION A-A
THRU ABUTMENT SHOWING OUTLINE**



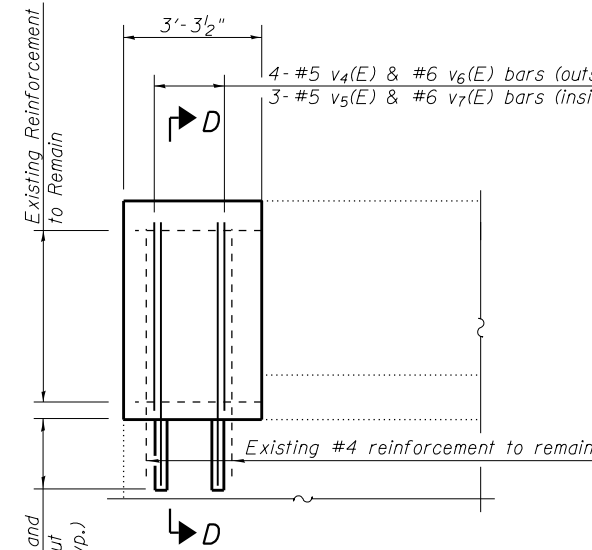
**SECTION A-A
THRU ABUTMENT SHOWING REINFORCEMENT**

3- #5 v₂(E) & #6 v₆(E) bars (outside face)
4- #5 v₃(E) & #6 v₇(E) bars (inside face)

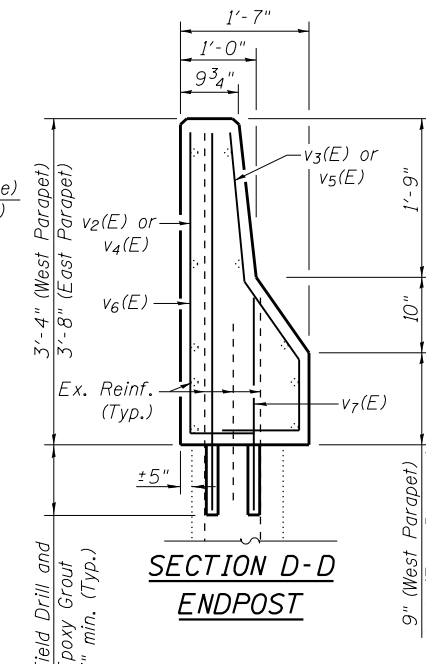


**SECTION B-B
(East Parapet)**

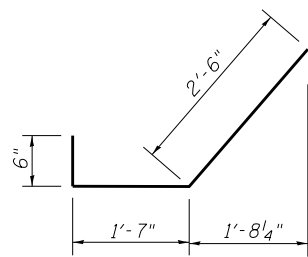
4- #5 v₄(E) & #6 v₆(E) bars (outside face)
3- #5 v₅(E) & #6 v₇(E) bars (inside face)



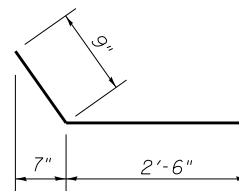
**SECTION C-C
(West Parapet)**



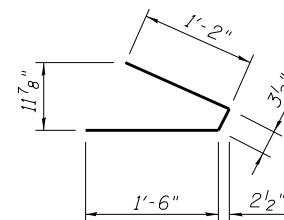
**SECTION D-D
ENDPOST**



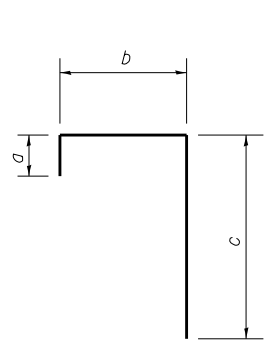
BAR n(E)



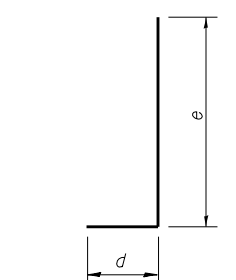
BAR n₁(E)



BAR n₂(E)



s(E) BARS

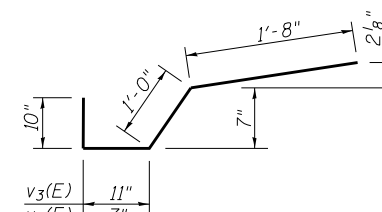


**s(E), s₅(E), v₂(E)
& v₄(E) BARS**

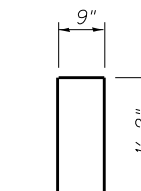
Bar	a	b	c
s ₁ (E)	7"	2'-4"	2'-4"
s ₂ (E)	7"	2'-4"	3'-1"
s ₃ (E)	7"	2'-4"	3'-9"
s ₄ (E)	7"	2'-4"	4'-5"

Bar	d	e
s(E)	1'-1"	2'-4"
s ₅ (E)	7"	3'-8"
v ₂ (E)	10"	3'-5"
v ₄ (E)	10"	3'-1"

Notes:
Hatched area quantity of concrete included with Concrete Superstructure.
Bars shall be drilled and grouted according to Section 584 of the Standard Specifications.
Apply Concrete Sealer to exposed horizontal and vertical faces of abutment extension.



v₃(E) & v₅(E) BARS



BAR u(E)

**BILL OF MATERIAL
SOUTH ABUTMENT**

Bar	No.	Size	Length	Shape
h(E)	4	#6	34'-8"	—
h ₁ (E)	3	#5	36'-3"	—
h ₂ (E)	1	#5	21'-4"	—
h ₃ (E)	1	#5	11'-7"	—
n(E)	6	#5	4'-7"	┘
n ₁ (E)	4	#5	3'-3"	┘
n ₂ (E)	4	#4	3'-0"	┘
p(E)	3	#5	10'-5"	—
p ₁ (E)	6	#5	9'-5"	—
p ₂ (E)	3	#5	9'-8"	—
s(E)	41	#5	3'-5"	┘
s ₁ (E)	9	#5	5'-3"	┘
s ₂ (E)	10	#5	6'-0"	┘
s ₃ (E)	10	#5	6'-8"	┘
s ₄ (E)	10	#5	7'-4"	┘
s ₅ (E)	5	#5	4'-3"	┘
u(E)	35	#5	3'-1"	┘
v(E)	42	#5	1'-3"	—
v ₁ (E)	1	#4	3'-2"	┘
v ₂ (E)	3	#5	4'-3"	┘
v ₃ (E)	4	#5	4'-5"	┘
v ₄ (E)	4	#5	3'-11"	┘
v ₅ (E)	3	#5	4'-1"	┘
v ₆ (E)	7	#6	3'-9"	┘
v ₇ (E)	7	#6	2'-0"	┘
Concrete Sealer		Sq. Ft.	413	
Concrete Structures		Cu. Yd.	6.1	
Reinforcement Bars, Epoxy Coated		Pound	1250	
Bar Splicers		Each	35	

FILE NAME = 0250019-74295-019.dgn

USER NAME =
Illinois Design Firm Number 184,001670
PLOT SCALE =
PLOT DATE = 2:40:02 PM 8/15/2013

DESIGNED - B.B.
CHECKED - A.C.S.
DRAWN - W.J.S.
CHECKED - C.J.F. & B.B.

REVISED -
REVISED -
REVISED -
REVISED -

**STATE OF ILLINOIS
DEPARTMENT OF TRANSPORTATION**

**SOUTH ABUTMENT SECTIONS
STRUCTURE NO. 025-0019**

SHEET NO. 19 OF 35 SHEETS

F.A.I. RT.	SECTION	COUNTY	TOTAL SHEETS	SHEET NO.
57/70	(25-4HB)I-3	EFFINGHAM	1760	1724

CONTRACT NO. 74295

ILLINOIS FED. AID PROJECT