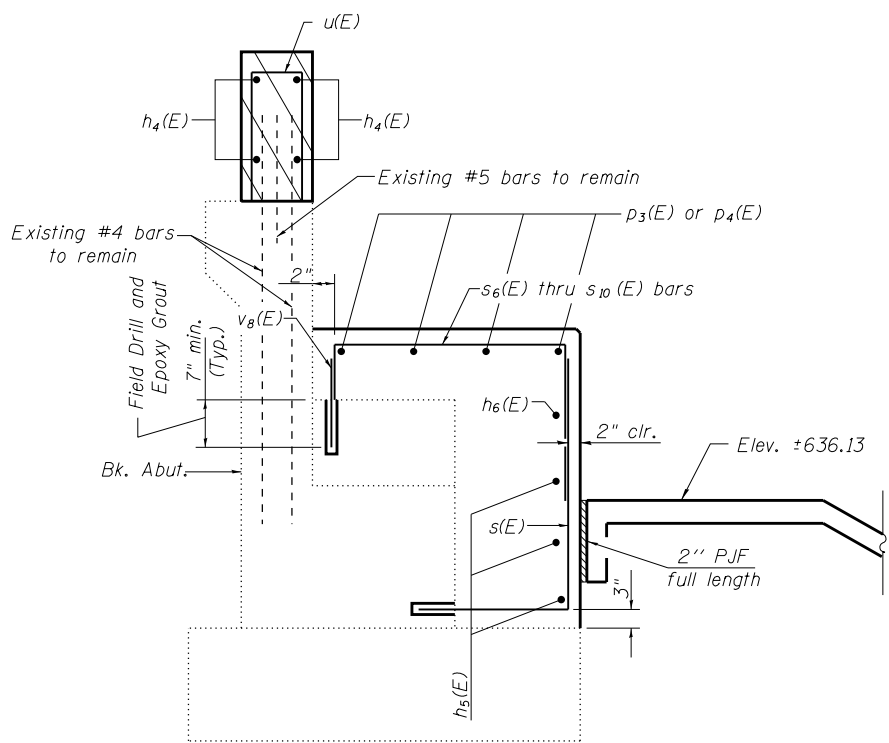
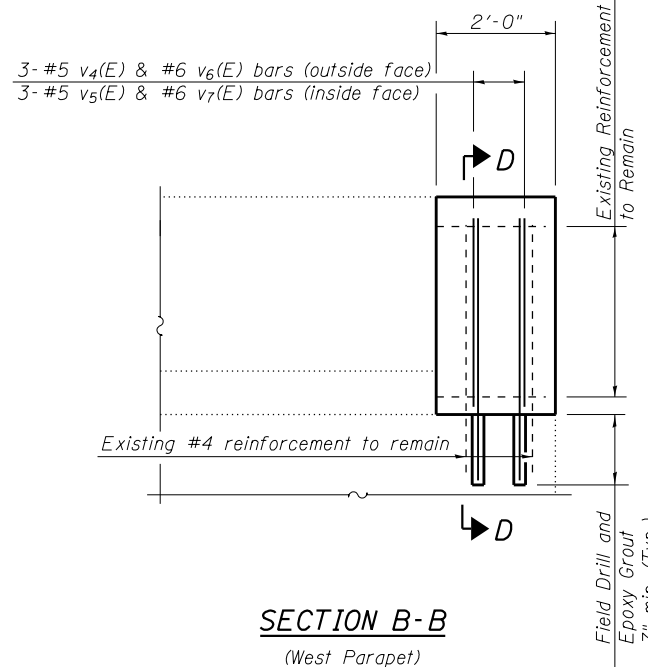


Dimensions at Rt L

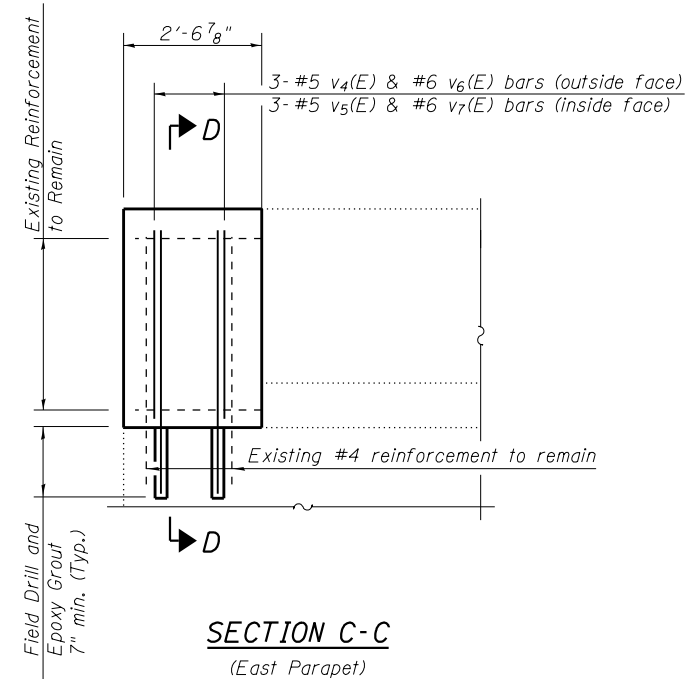
**SECTION A-A
THRU ABUTMENT SHOWING OUTLINE**



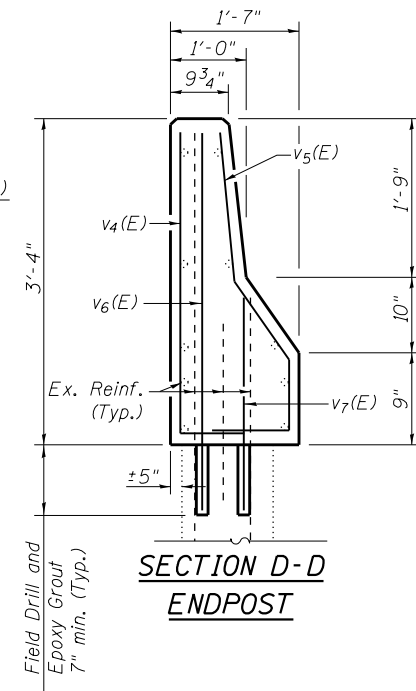
**SECTION A-A
THRU ABUTMENT SHOWING REINFORCEMENT**



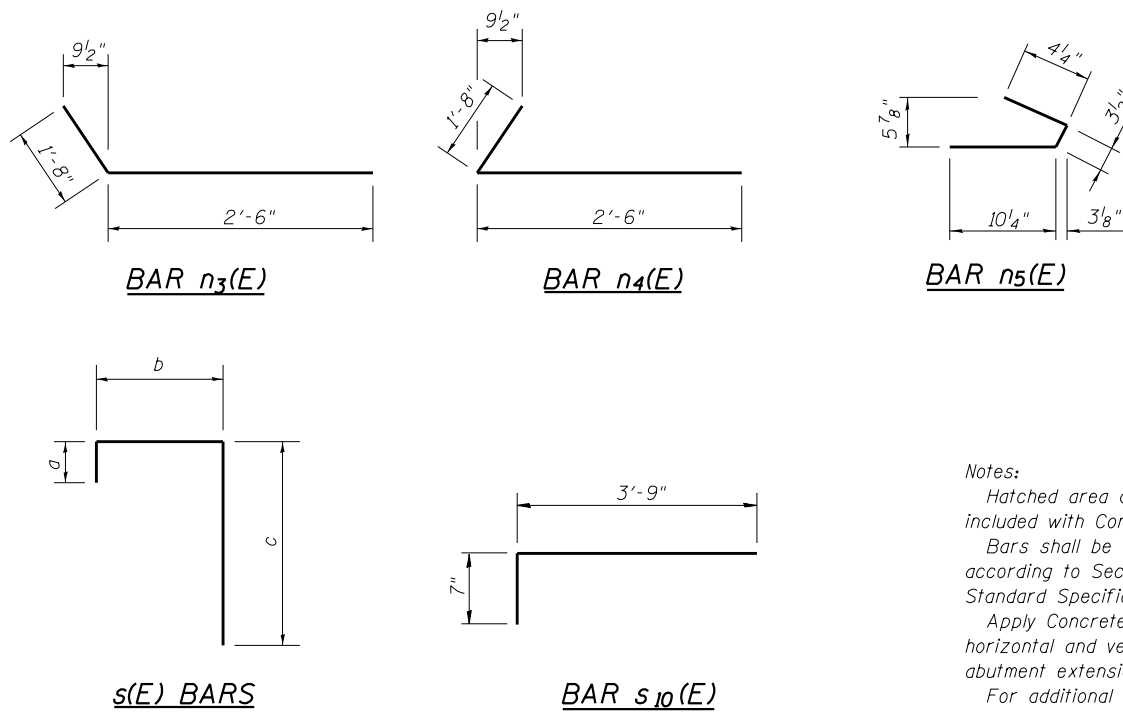
**SECTION B-B
(West Parapet)**



**SECTION C-C
(East Parapet)**



**SECTION D-D
ENDPOST**



| Bar | a | b | c |
|-------|----|-------|--------|
| s6(E) | 7" | 3'-4" | 2'-5" |
| s7(E) | 7" | 3'-4" | 3'-1" |
| s8(E) | 7" | 3'-4" | 3'-7" |
| s9(E) | 7" | 3'-4" | 3'-11" |

Notes:
 Hatched area quantity of concrete included with Concrete Superstructure.
 Bars shall be drilled and grouted according to Section 584 of the Standard Specifications.
 Apply Concrete Sealer to exposed horizontal and vertical faces of abutment extension.
 For additional bar details see Sheet 19 of 35.

**BILL OF MATERIAL
NORTH ABUTMENT**

| Bar | No. | Size | Length | Shape |
|-------------------------------------|-----|---------|--------|-------|
| h4(E) | 4 | #6 | 25'-1" | — |
| h5(E) | 3 | #5 | 28'-3" | — |
| h6(E) | 1 | #5 | 15'-6" | — |
| n3(E) | 5 | #5 | 4'-2" | ┘ |
| n4(E) | 4 | #5 | 4'-2" | ┘ |
| n5(E) | 6 | #4 | 1'-6" | ┘ |
| p3(E) | 4 | #5 | 6'-8" | — |
| p4(E) | 12 | #5 | 7'-5" | — |
| s(E) | 33 | #5 | 3'-5" | ┘ |
| s6(E) | 7 | #5 | 6'-4" | ┘ |
| s7(E) | 9 | #5 | 7'-0" | ┘ |
| s8(E) | 9 | #5 | 7'-6" | ┘ |
| s9(E) | 6 | #5 | 7'-10" | ┘ |
| s10(E) | 4 | #5 | 4'-4" | ┘ |
| u(E) | 26 | #5 | 3'-1" | ┘ |
| v4(E) | 6 | #5 | 3'-11" | ┘ |
| v5(E) | 6 | #5 | 4'-1" | ┘ |
| v6(E) | 6 | #6 | 3'-9" | — |
| v7(E) | 6 | #6 | 2'-0" | — |
| v8(E) | 33 | #5 | 1'-1" | — |
| v9(E) | 1 | #4 | 4'-4" | — |
| Concrete Sealer | | Sq. Ft. | | 341 |
| Concrete Structures | | Cu. Yd. | | 8.2 |
| Reinforcement Bars, Epoxy Coated | | Pound | | 1020 |