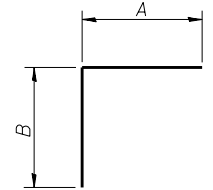


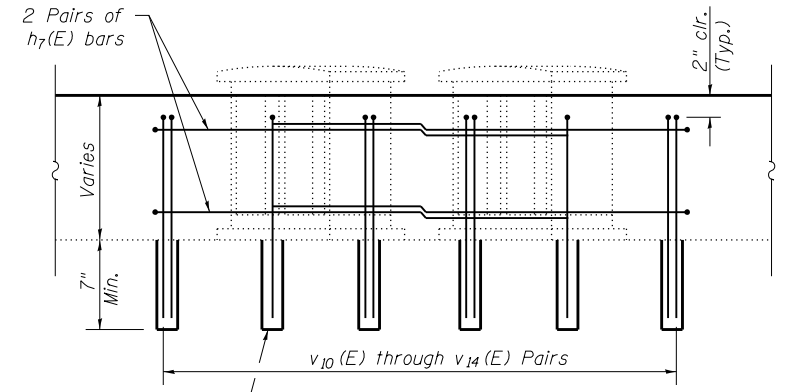
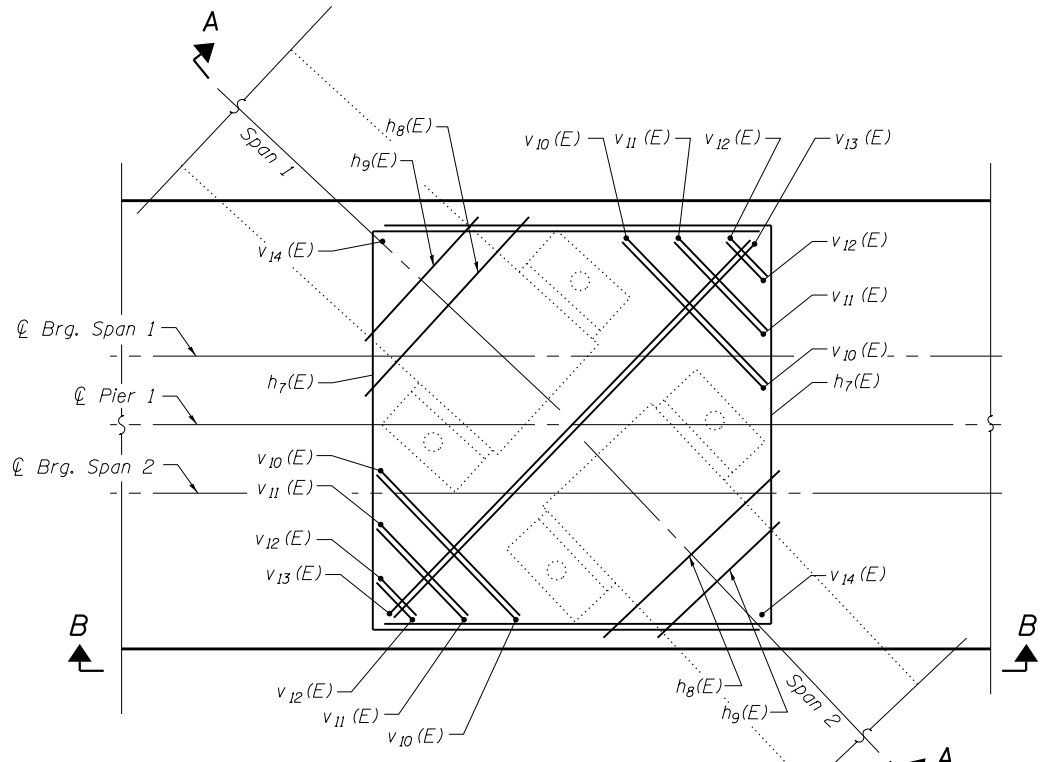
(All v(E) bars shown are drilled and grouted)
Side Retainers not shown for clarity.



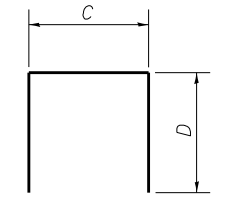
s₁₁(E) & v(E) BARS

Bar	A	B
s ₁₁ (E)	2'-8"	1'-4"
v ₁₀ (E)	1'-6"	1'-4"
v ₁₁ (E)	1'-0"	1'-4"
v ₁₂ (E)	7"	1'-4"
v ₁₃ (E)	3'-6"	1'-4"

Notes:
Bars shall be drilled and grouted according to Section 584 of the Standard Specifications.
Concrete Sealer shall be applied only to exposed surfaces of the new concrete on Pier 1.



Field drill and Epoxy Grout min. 7" into existing cap (Typ.)



BAR h₇(E), s₁₂(E) & u₁(E)

Bar	C	D
h ₇ (E)	2'-8"	2'-8"
s ₁₂ (E)	2'-8"	3'-8"
u ₁ (E)	2'-4 1/2"	1'-5 1/4"

BILL OF MATERIAL
PIER 1

Bar	No.	Size	Length	Shape
h ₇ (E)	16	#5	8'-0"	┌
h ₈ (E)	8	#5	1'-4"	—
h ₉ (E)	8	#5	9"	—
p ₅ (E)	2	#5	6'-11"	—
p ₆ (E)	4	#5	9'-5"	—
p ₇ (E)	2	#5	1'-3"	—
p ₈ (E)	4	#5	3'-0"	—
p ₉ (E)	6	#5	4'-0"	—
p ₁₀ (E)	2	#5	2'-9"	—
p ₁₁ (E)	2	#5	7'-11"	—
p ₁₂ (E)	2	#5	1'-0"	—
p ₁₃ (E)	4	#5	1'-5"	—
s ₁₁ (E)	48	#5	4'-0"	┌
s ₁₂ (E)	4	#5	10'-0"	┌
u ₁ (E)	3	#5	5'-3"	┌
v ₁₀ (E)	16	#5	2'-10"	┌
v ₁₁ (E)	16	#5	2'-4"	┌
v ₁₂ (E)	16	#5	1'-11"	┌
v ₁₃ (E)	8	#5	4'-10"	┌
v ₁₄ (E)	8	#5	1'-4"	—
Concrete Sealer		Sq. Ft.	202	
Concrete Structures		Cu. Yd.	4.0	
Reinforcement Bars, Epoxy Coated		Pound	710	