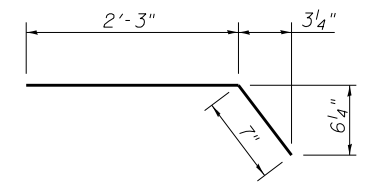


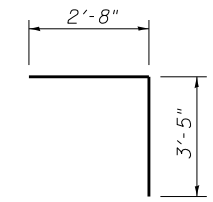
VIEW B-B
CRASHWALL PLAN - PIER 2



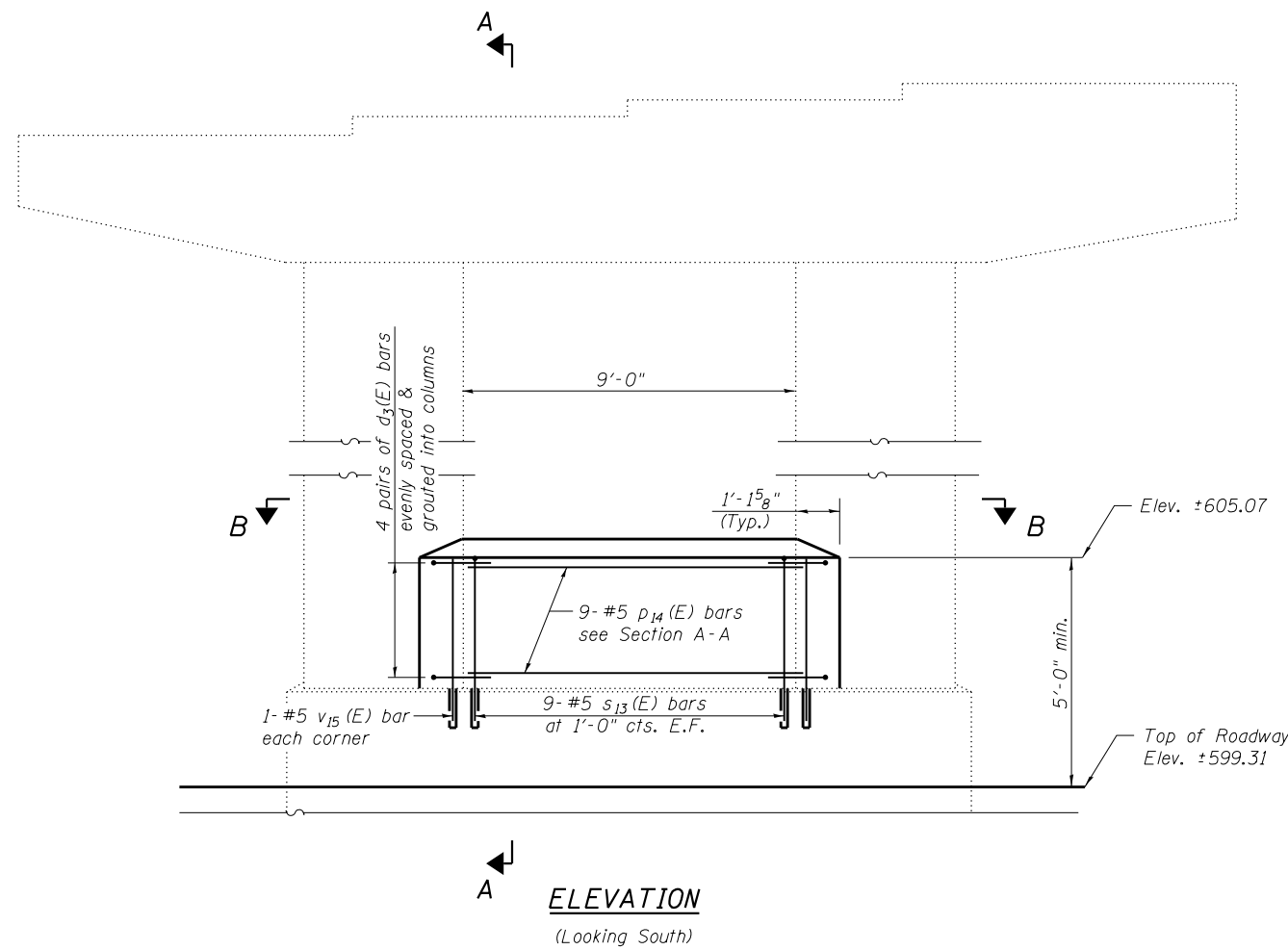
Notes:
Bars shall be drilled and grouted according to Section 584 of the Standard Specifications.
Concrete Sealer shall be applied only to exposed surfaces of the new concrete on Pier 2.



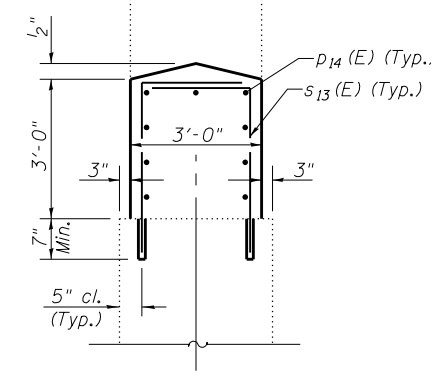
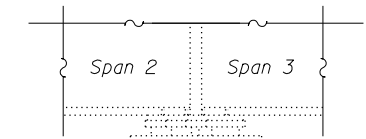
BAR d3(E)



BAR s12(E)



ELEVATION
(Looking South)



SECTION A-A

BILL OF MATERIAL
PIER 2

Bar	No.	Size	Length	Shape
d3(E)	16	#5	2'-10"	┌
p14(E)	9	#5	8'-8"	—
s13(E)	18	#5	6'-1"	└
v15(E)	4	#5	3'-5"	—
Concrete Sealer		Sq. Ft.	101	
Concrete Structures		Cu. Yd.	3.2	
Reinforcement Bars, Epoxy Coated		Pound	260	