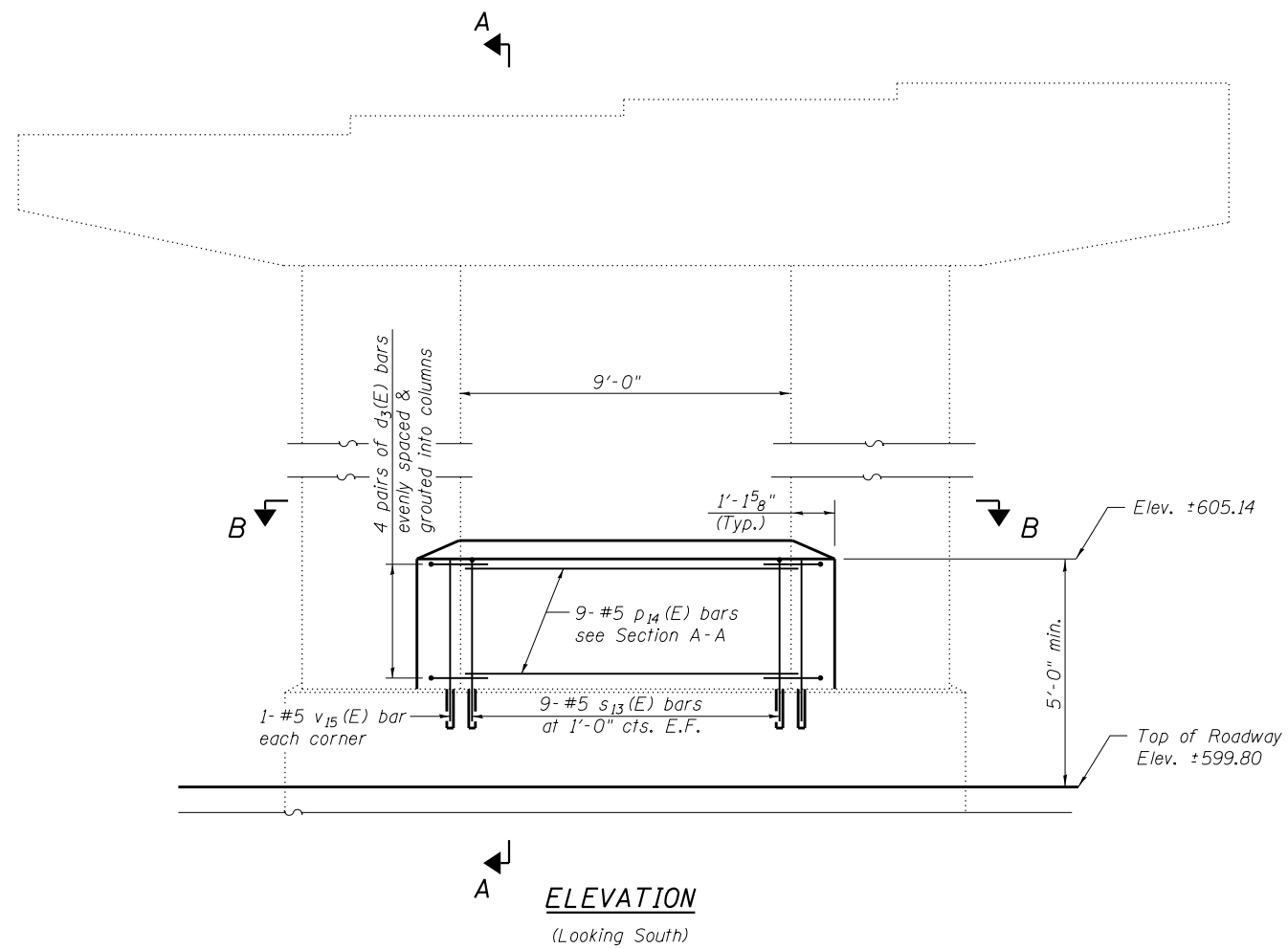


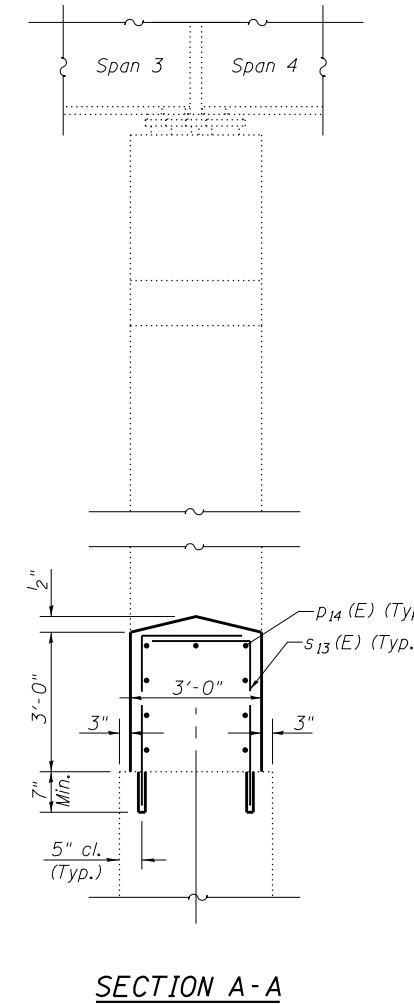
VIEW B-B
CRASHWALL PLAN - PIER 3

Notes:

Bars shall be drilled and grouted according to Section 584 of the Standard Specifications.
Concrete Sealer shall be applied only to exposed surfaces of the new concrete on Pier 3.
See sheet 26 of 35 for Bar Bend Details.



ELEVATION
(Looking South)



SECTION A-A

BILL OF MATERIAL
PIER 3

Bar	No.	Size	Length	Shape
d ₃ (E)	16	#5	2'-10"	—
p ₁₄ (E)	9	#5	8'-8"	—
s ₁₃ (E)	18	#5	6'-1"	L
v ₁₅ (E)	4	#5	3'-5"	—
Concrete Sealer		Sq. Ft.	101	
Concrete Structures		Cu. Yd.	3.2	
Reinforcement Bars, Epoxy Coated		Pound	260	