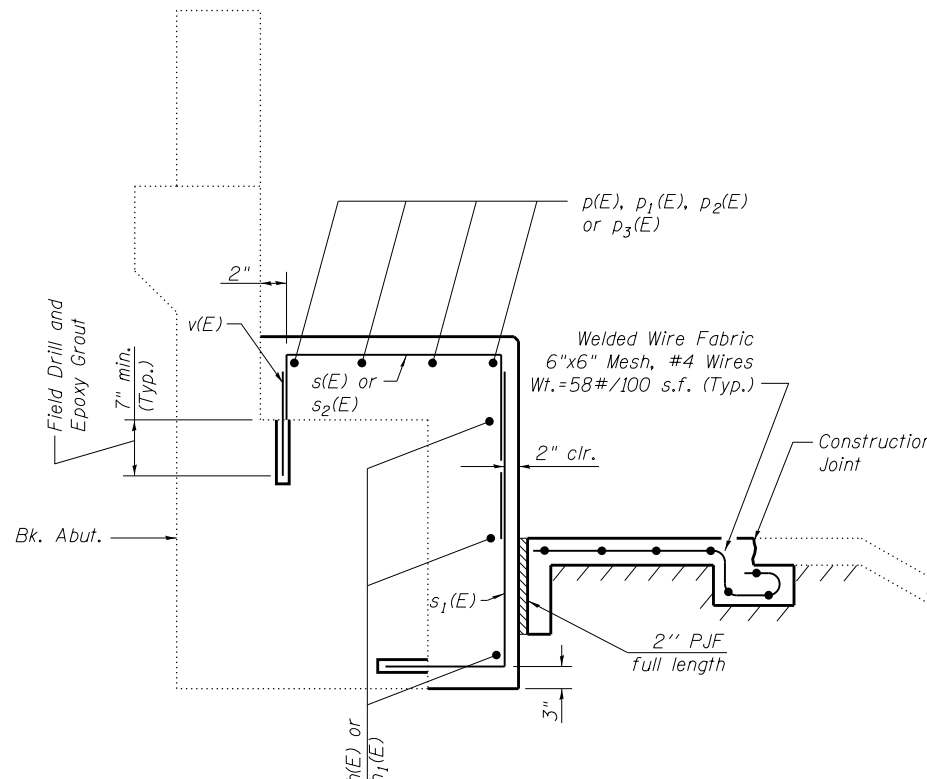


**SECTION A-A  
THRU ABUTMENT  
SHOWING OUTLINE**

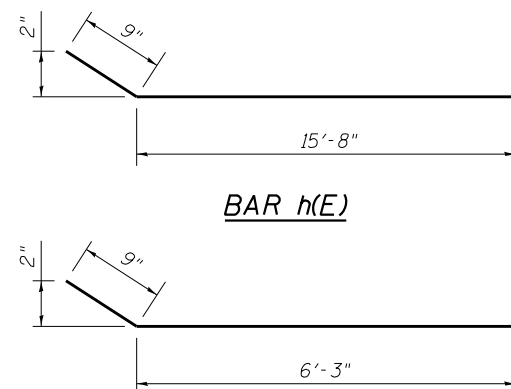


**SECTION A-A  
THRU ABUTMENT  
SHOWING REINFORCEMENT**

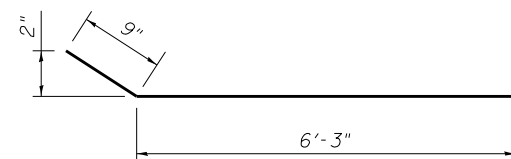
Notes:  
 Bars shall be drilled and grouted according to Section 584 of the Standard Specifications.  
 Apply Concrete Sealer to exposed horizontal and vertical faces of abutment extension.  
 Cost of slopewall footing included in Slopewall 4".

**NORTH ABUTMENT  
BILL OF MATERIAL**

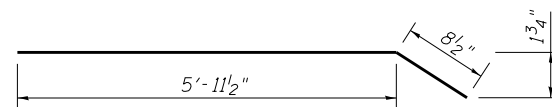
Bar	No.	Size	Length	Shape
h(E)	3	#5	16'-5"	
h1(E)	3	#5	13'-0"	
p(E)	4	#5	7'-0"	
p1(E)	4	#5	9'-0"	
p2(E)	4	#5	6'-6"	
p3(E)	4	#5	6'-8"	
s(E)	34	#5	6'-7"	
s1(E)	34	#5	4'-3"	
s2(E)	1	#5	6'-6"	
v(E)	35	#5	1'-1"	
Concrete Sealer		Sq. Ft.	227	
Concrete Structures		Cu. Yd.	5.1	
Reinforcement Bars, Epoxy Coated		Pound	650	
Slopewall, 4"		Sq. Yd.	5.0	



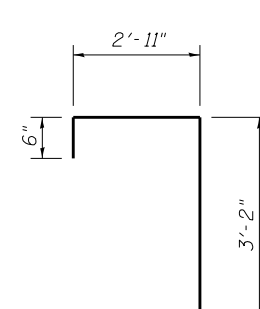
**BAR h(E)**



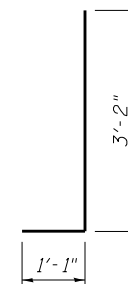
**BAR p(E)**



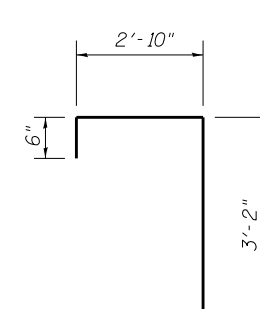
**BAR p3(E)**



**BAR s(E)**



**BAR s1(E)**



**BAR s2(E)**

S:\Proj\1025-0062\1025-0062-TR-01.dwg 025-0062 TR over 57-70-0062\Final\CADD\_Design\_Plans\10250062-74295-012.dgn