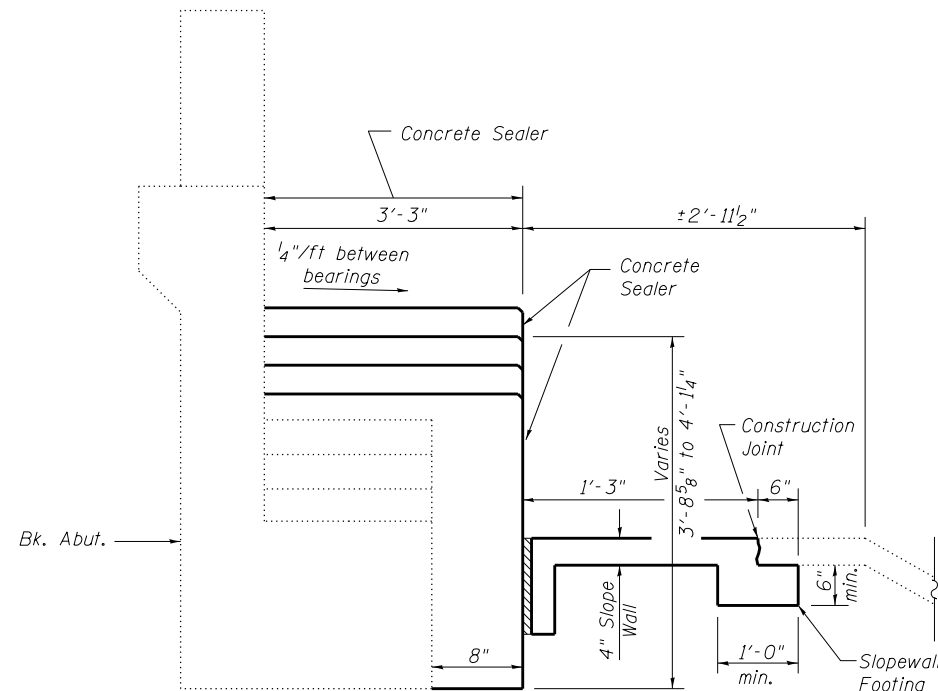
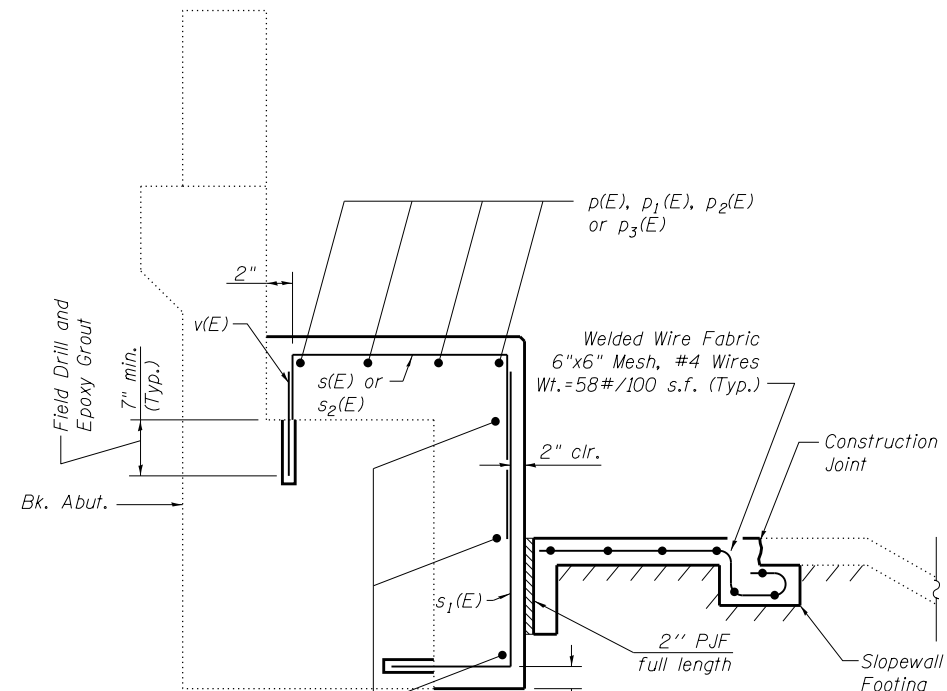


Notes:
 Bars shall be drilled and grouted according to Section 584 of the Standard Specifications.
 Apply Concrete Sealer to exposed horizontal and vertical faces of abutment extension.
 Cost of sloped footing included in Sloped Wall 4".



Dimensions at Rt L

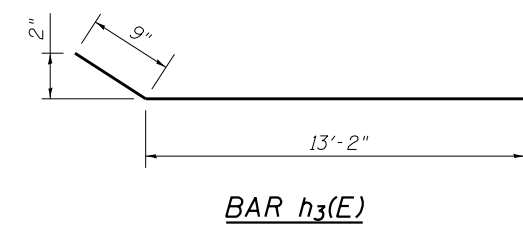
**SECTION A-A
 THRU ABUTMENT
 SHOWING OUTLINE**



**SECTION A-A
 THRU ABUTMENT
 SHOWING REINFORCEMENT**

**SOUTH ABUTMENT
 BILL OF MATERIAL**

Bar	No.	Size	Length	Shape
$h_2(E)$	3	#5	15'-6"	—
$h_3(E)$	3	#5	13'-11"	—
$p(E)$	4	#5	7'-0"	—
$p_1(E)$	4	#5	9'-0"	—
$p_2(E)$	4	#5	6'-6"	—
$p_3(E)$	4	#5	6'-8"	—
$s(E)$	34	#5	6'-7"	—
$s_1(E)$	34	#5	4'-3"	—
$s_2(E)$	1	#5	6'-6"	—
$v(E)$	35	#5	1'-1"	—
Concrete Sealer		Sq. Ft.		227
Concrete Structures		Cu. Yd.		5.1
Reinforcement Bars, Epoxy Coated		Pound		650
Sloped Wall, 4"		Sq. Yd.		5.0



BAR $h_3(E)$

S:\Proj\1043\00072_57-70\Bridges\Bridg_025-0062_TR over 57-70\025-0062-74295-014.dgn