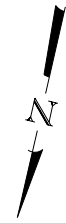


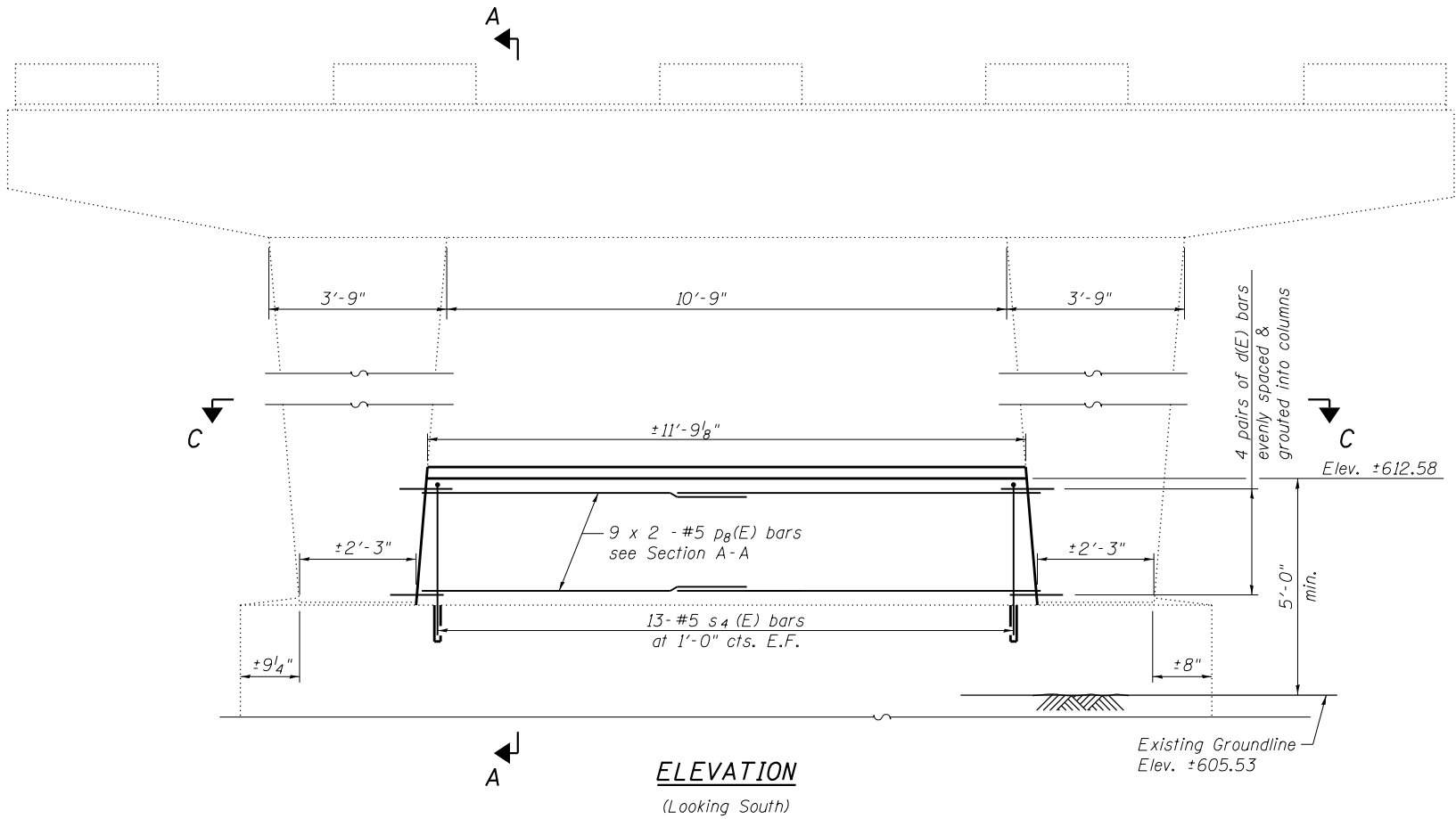
VIEW C-C
CRASHWALL PLAN - PIER 2



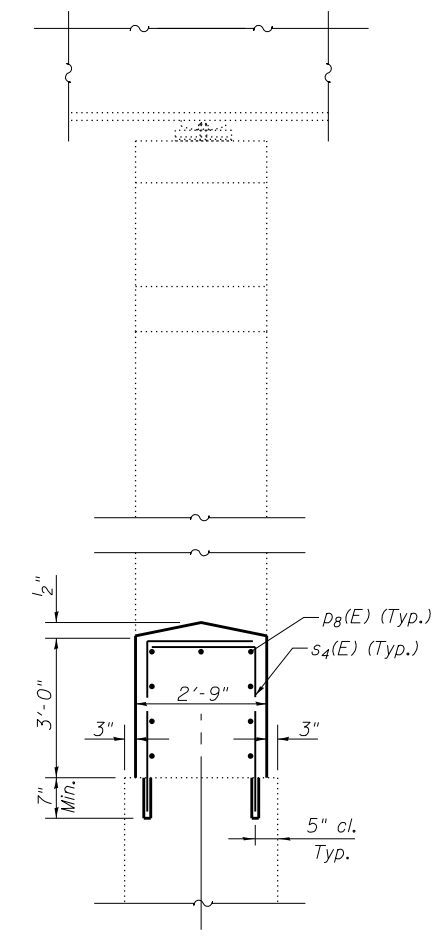
Notes:
 Bars shall be drilled and grouted according to Section 584 of the Standard Specifications.
 Concrete Sealer shall be applied only to exposed surfaces of the new concrete on Pier 2.
 Bars indicated thus, 9 x 2- #5 bars indicates 9 lines of bars with 2 lengths per line.
 See sheet 16 of 20 for additional Bar Bend Details.

BILL OF MATERIAL
PIER 2

Bar	No.	Size	Length	Shape
d(E)	18	#5	3'-3"	—
p8(E)	18	#5	7'-2"	—
s4(E)	26	#5	5'-10"	└
Concrete Sealer		Sq. Ft.	105	
Concrete Structures		Cu. Yd.	3.7	
Reinforcement Bars, Epoxy Coated		Pound	360	



ELEVATION
(Looking South)



SECTION A-A
(Showing Bearings and Superstructure)

S:\Proj\103-00072_57-70\Bridges\Bridg 025-0062_TR over 57-70\06\Final\CADD_Design_Plans\0250062-74295-017.dgn

FILE NAME = 0250062-74295-017.dgn	USER NAME =	DESIGNED - B.B.	REVISED -
		CHECKED - A.C.S.	REVISED -
	PLOT SCALE =	DRAWN - B.B.	REVISED -
	PLOT DATE = 2:29:48 PM 8/15/2013	CHECKED - C.J.F.	REVISED -

STATE OF ILLINOIS
DEPARTMENT OF TRANSPORTATION

PIER 2 GENERAL PLAN
STRUCTURE NO. 025-0062
SHEET NO. 17 of 20 SHEETS

F.A.I. RTE.	SECTION	COUNTY	TOTAL SHEETS	SHEET NO.
70	(25-4HB-2)I	EFFINGHAM	1760	1757
CONTRACT NO. 74295			ILLINOIS FED. AID PROJECT	