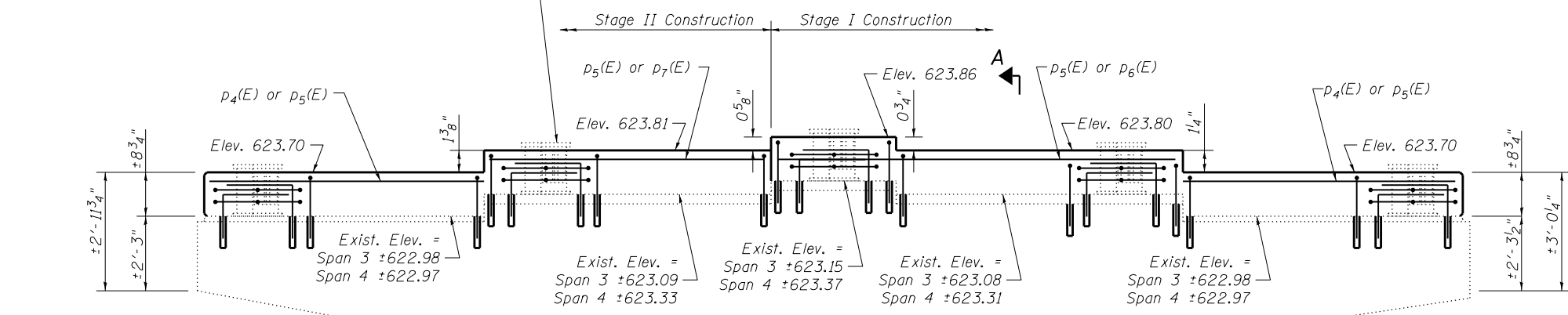


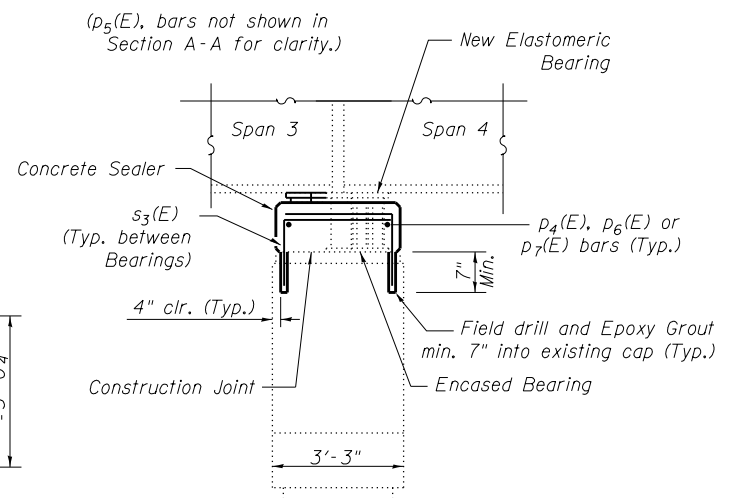
**PLAN CAP**

(New side retainer not shown for clarity)



**ELEVATION**

(Looking South)

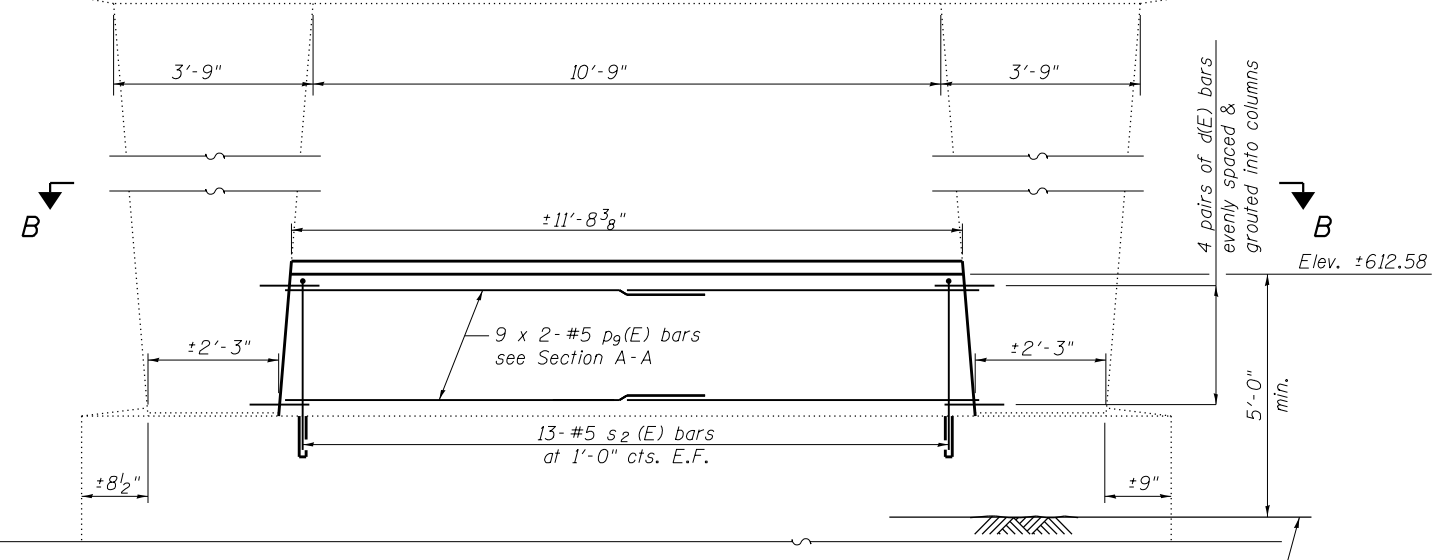


**SECTION A-A**

(Showing Bearings and Superstructure)



Notes:  
 For Detail A see Sheet 19 of 20.  
 For View B-B see Sheet 19 of 20.  
 Bars shall be drilled and grouted according to Section 584 of the Standard Specifications.  
 Concrete Sealer shall be applied only to exposed surface of the new concrete on Pier 3.  
 Bars indicated thus, 9 x 2-#5 bars indicates 9 lines of bars with 2 lengths per line.



S:\Proj\025-0062-00072\_57-70\Bridges\Bridges\025-0062-TR over 57-70\025-0062-74295-018.dgn

FILE NAME = 0250062-74295-018.dgn  
 USER NAME =  
 DESIGNED - B.B.  
 CHECKED - A.C.S.  
 PLOT SCALE =  
 DRAWN - B.B.  
 PLOT DATE = 2:29:49 PM 8/15/2013

BERNARDINI LOCHMULLER & ASSOCIATES, INC.  
 3 OAK DRIVE  
 MARYVILLE, IL 62442  
 PHONE (618) 281-4666  
 FAX (618) 281-4666

DESIGNED - B.B.  
 CHECKED - A.C.S.  
 DRAWN - B.B.  
 CHECKED - C.J.F.

REVISED -  
 REVISED -  
 REVISED -  
 REVISED -

**STATE OF ILLINOIS  
 DEPARTMENT OF TRANSPORTATION**

**PIER 3 GENERAL PLAN  
 STRUCTURE NO. 025-0062**

SHEET NO. 18 of 20 SHEETS

F.A.I. RTE.	SECTION	COUNTY	TOTAL SHEETS	SHEET NO.
70	(25-4HB-2)I	EFFINGHAM	1760	1758
			CONTRACT NO. 74295	

ILLINOIS FED. AID PROJECT