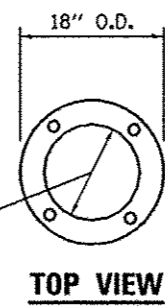
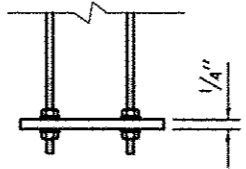


ELEVATION FOUNDATION

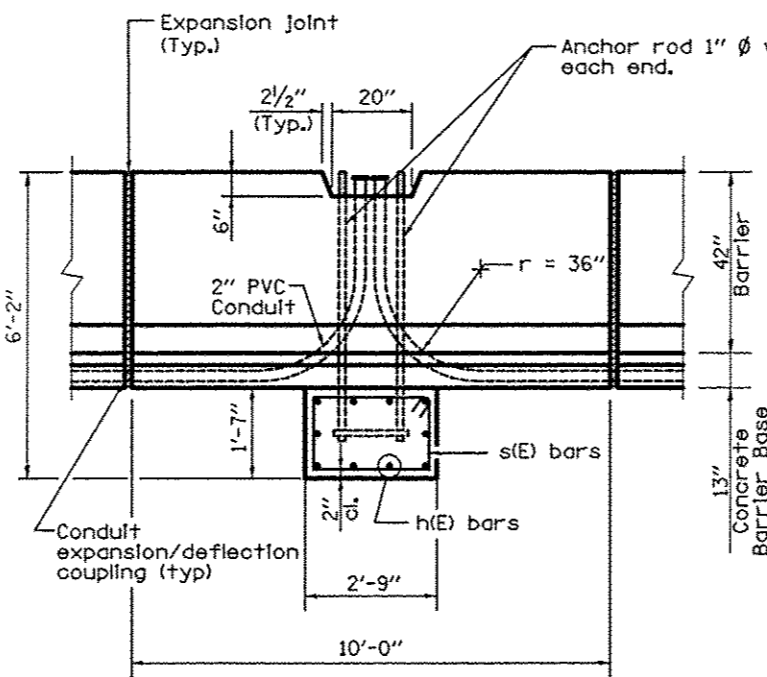
Notes:
See Highway Standard 836011 for other details not shown.
Reinforcement bars designated (E) shall be epoxy coated.



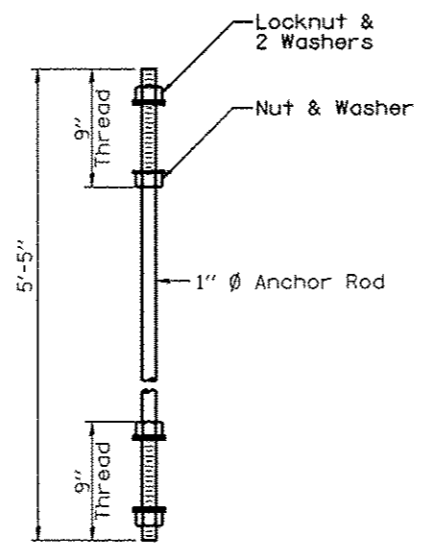
TOP VIEW



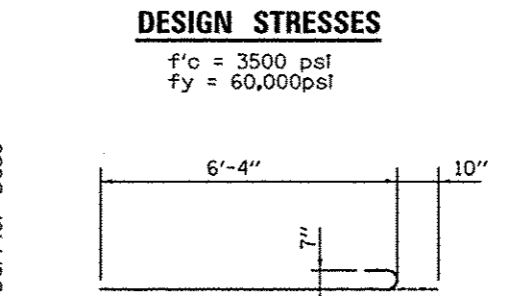
RING PLATE DETAIL



SECTION A-A

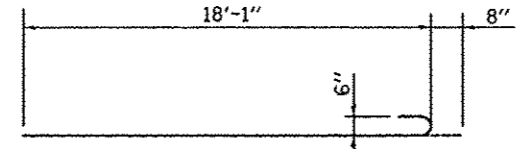


ANCHOR ROD DETAIL

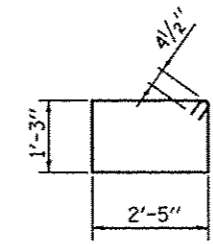


DESIGN STRESSES

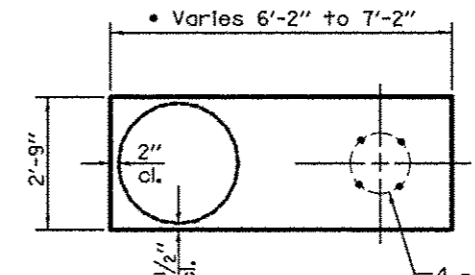
BAR h(E)



BAR n(E)

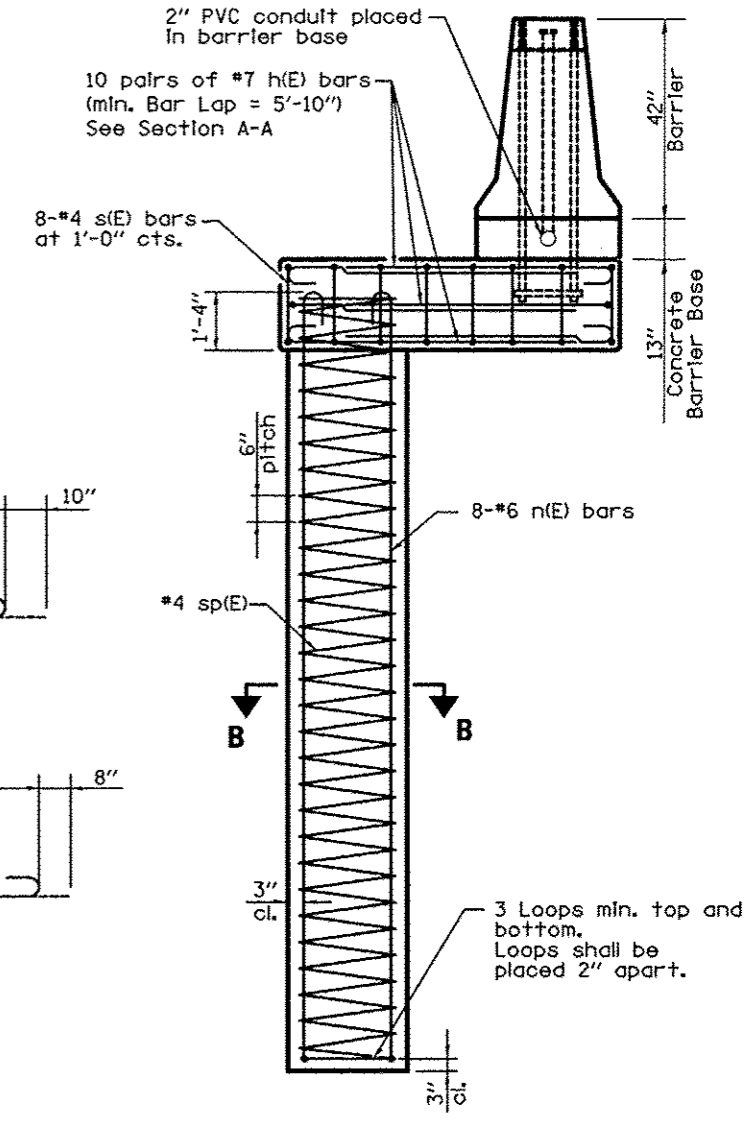


BAR s(E)

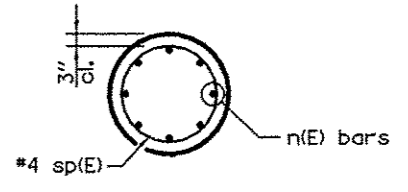


PLAN - CAP BEAM

• If length is less than 6'-8" h(E) bars shall be cut to fit in field while maintaining 5'-10" Lap.



ELEVATION FOUNDATION (with Reinforcement)

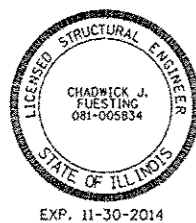


SECTION B-B

BILL OF MATERIALS

Bar No.	Size	Length	Shape
h(E) 20	#7	7'-2"	U
n(E) 8	#6	18'-9"	U
s(E) 8	#4	8'-1"	□
•• sp(E) 1	#4	18'-1"	W

•• Length is height of spiral.



Chadwick J. Flesching 8/8/13