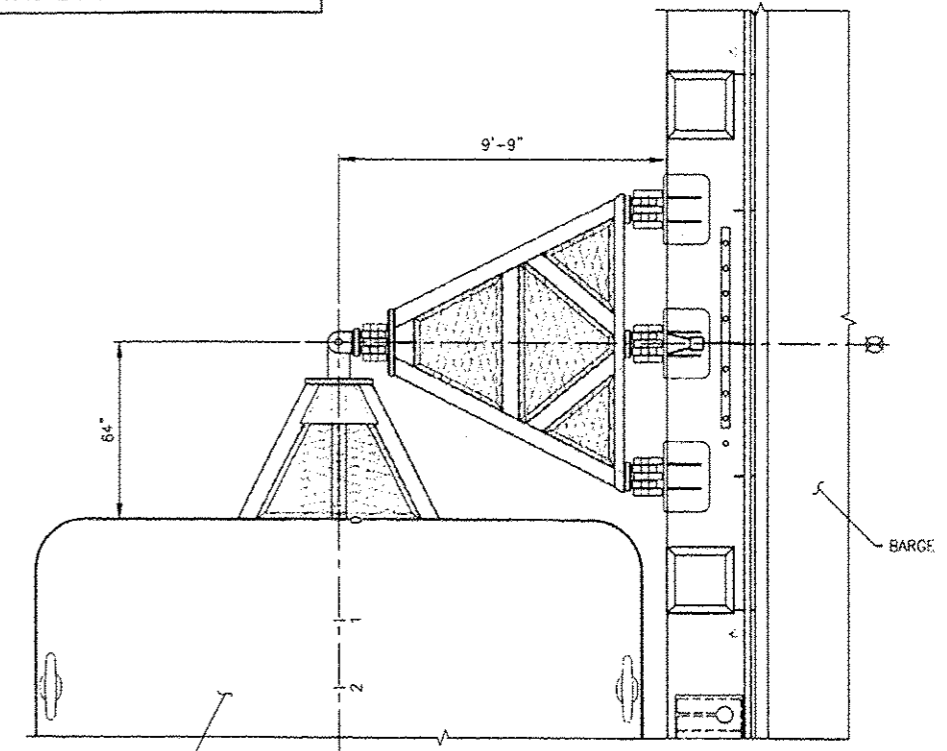
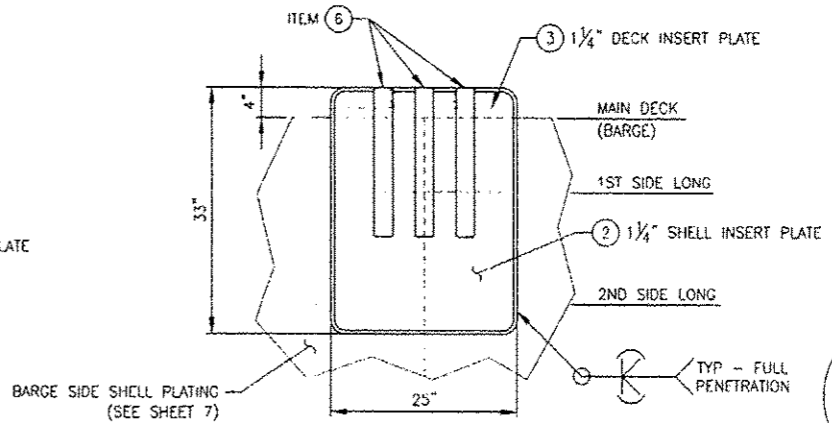


FOR INFORMATION ONLY



1 KEY PLAN
TOW-LINKAGE YOKE/A-FRAME ARRANGEMENT
SCALE: 3/8" = 1'-0"

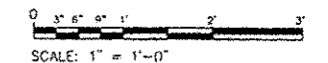
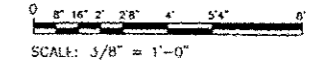


4 DETAIL
TYPICAL 3 PLACES
SCALE: 1" = 1'-0"

2 PUSHBOAT YOKE DETAIL
1 ASSEMBLY REQUIRED
SCALE: 1" = 1'-0"

3 BARGE "A-FRAME" DETAIL
1 ASSEMBLY REQUIRED
SCALE: 1" = 1'-0"

NOTE:
SEE SHEET 22 FOR BILL OF MATERIALS



ART ANDERSON
2525 S. W. 11TH AVE.
MILWAUKEE, WI 53227
(414) 451-1400

▲ SHEET ADDED 9-6-2013

FILE NAME	USER NAME	DESIGNED - E. SNYDER	REVISED - REV A 07/21/2011	STATE OF ILLINOIS DEPARTMENT OF TRANSPORTATION	IDOT BRUSSELS FERRY TOW LINKAGE - STRUCTURE	F.A.P. RITE	SECTION	COUNTY	TOTAL SHEETS	SHEET NO.	
		DRAWN - J. WALKER	REVISED -			761	101-1-2		64	64A	
		CHECKED - P. MARTIN	REVISED -			CONTRACT NO. 76C16					
		DATE - 10/04/2010	REVISED -			[ILLINOIS] FED. AID PROJECT					