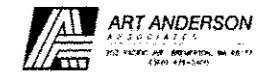
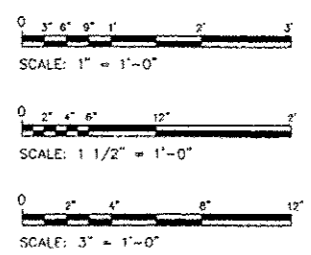
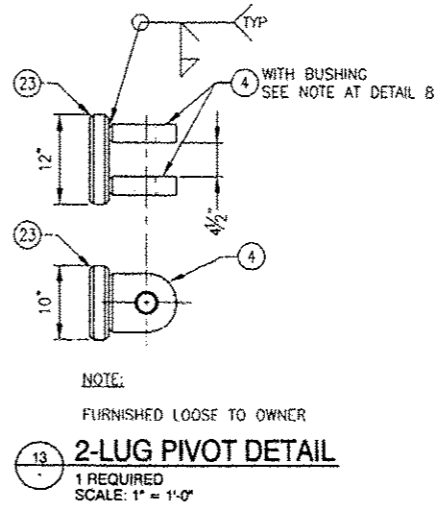
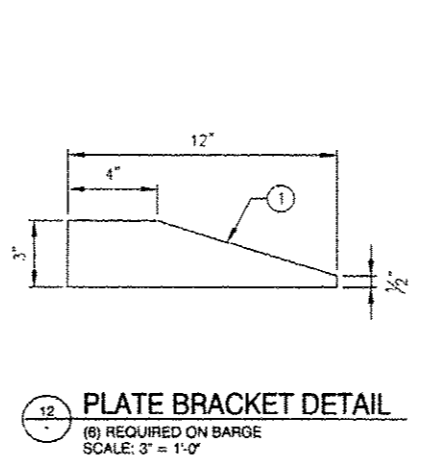
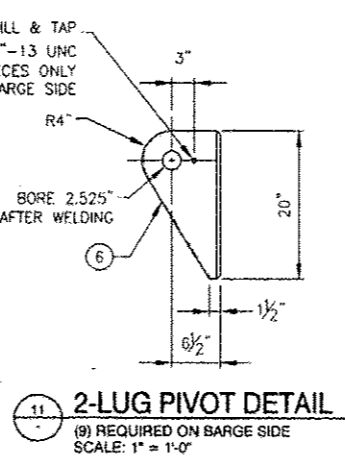
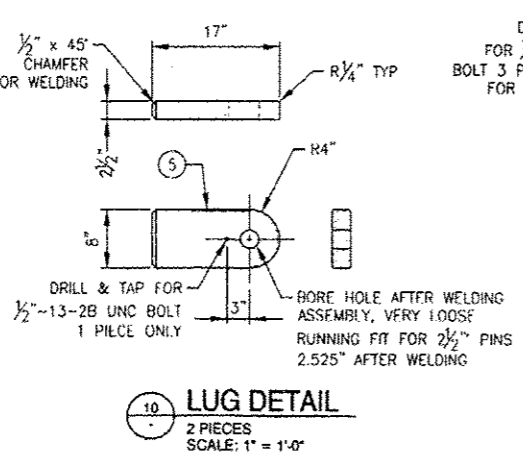
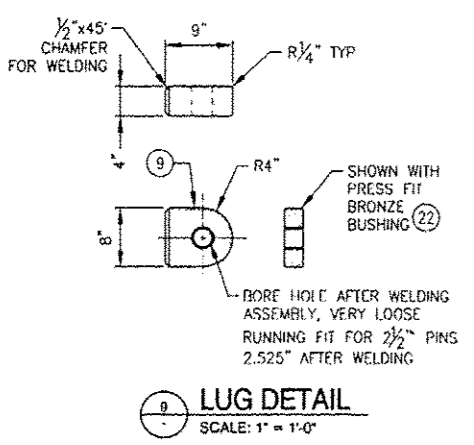
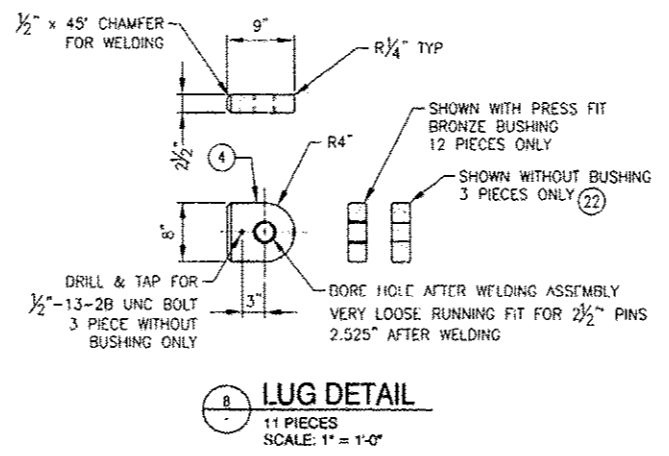


BILL OF MATERIAL				
PC NO.	QTY	DESCRIPTION	MATERIAL/SPECIFICATION	REMARKS
1	6 EA	PLATE 1/2" BRACKET	ASTM A-36	SEE DETAIL 12
2	3 FA	PLATE 1/4" SHELL INSERT	ASTM A-36	SEE SHEET 21, DETAIL 4
3	3 EA	PLATE 1/4" DECK INSERT	ASTM A-36	SEE SHEET 21, DETAIL 3
4	15 EA	PLATE 2 1/2" LUG, 9" LONG	ASTM A-36	SEE DETAIL 8
5	2 EA	PLATE 2 1/2" LUG, 17" LONG	ASTM A-36	SEE DETAIL 10
6	9 EA	PLATE 2 1/2" LUG, 20" LONG	ASTM A-36	SEE DETAIL 11
7	4 EA	PLATE 2 1/2" LUG BASE PLATE, 10"x10"	ASTM A-36	SEE DETAIL 7
8	2 EA	PLATE 2 1/2" LUG BASE PLATE, 24"x12"	ASTM A-36	SEE DETAIL 6
9	2 EA	PLATE 4" LUG, 9" LONG	ASTM A-36	SEE DETAIL 9
10	1 EA	PLATE 4 1/2" SPACER BLOCK, 8" LONG	ASTM A-36	SEE DETAIL 3
11	1 EA	ROUND BAR 2 1/2", 2-LUG PIN	ASTM A-36	SEE DETAIL 1
12	4 EA	ROUND BAR 2 1/2", 3-LUG PIN	ASTM A-36	SEE DETAIL 2
13	5 EA	FB 2 1/2" PIN RETAINING TAB	ASTM A-36	SEE DETAIL 1
14	5 EA	HEX HEAD BOLT 1/2-13 UNC 2A, PIN RETAINING BOLT	ASTM F593, TYPE 316 SS	-
15	5.5 SF	PLATE 3/8"	ASTM A-36	-
16	1 SF	PLATE 1/2", PADEYE	ASTM A-36	-
17	36 LF	STRUCTURAL TUBE 6x6x3/8	ASTM A500 GR B	-
18	4 LF	S-BEAM S10x35	ASTM A-36	-
19	9 LF	CHANNEL C7x19.1	ASTM A-36	-
20	53 LF	ANGLE L2x2x1/4	ASTM A-36	-
21	31 SF	EXPANDED METAL	CARBON STEEL	McNICHOLS 1/2" #135
22	AS REQ	BUSHING, 3" OD x 2 1/2" ID	BRONZE	-
23	1 EA	PLATE 2 1/2" LUG BASE PLATE, 10"x12"	ASTM A-36	SEE DETAIL 13



⚠ SHEET ADDED 9-6-2013

FILE NAME	USER NAME	DESIGNED - I. SNYDER	REVISED - REV A 07/21/2011	STATE OF ILLINOIS DEPARTMENT OF TRANSPORTATION		IDOT BRUSSELS FERRY TOW LINKAGE - DETAILS		F.A.P. RTE. 761	SECTION 101-1-2	COUNTY	TOTAL SHEETS 64	SHEET NO. 64B
	PLOT SCALE	CHECKED - P. WARDIN	REVISIONS			SCALE: NTS SHEET NO. OF SHEETS STA. TO STA.		DRAWING NO. CEIDT001BA-611-202		CONTRACT NO. 76G16		
	PLOT DATE	DATE - 10/04/2010						DRAWING NO. CEIDT001BA-611-202		CONTRACT NO. 76G16		