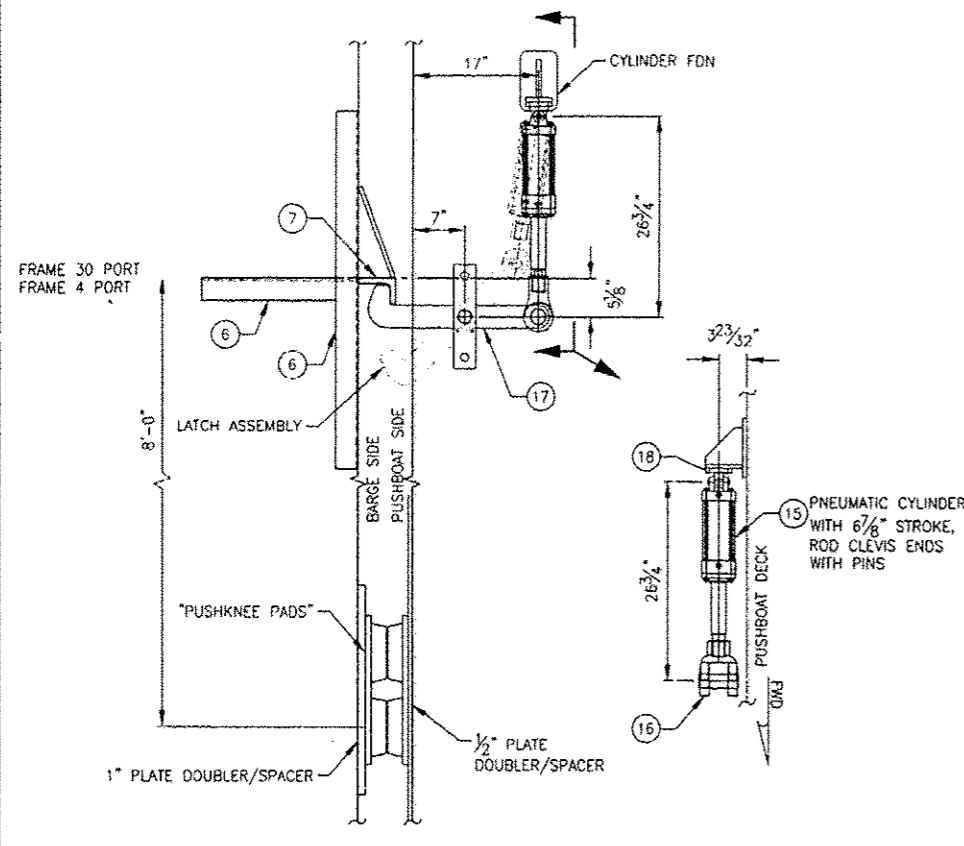
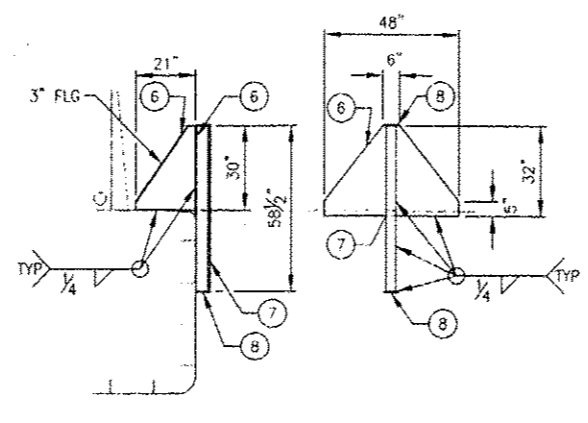


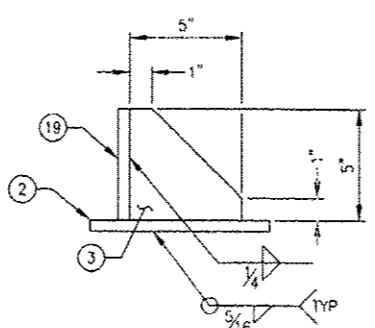
FOR INFORMATION ONLY



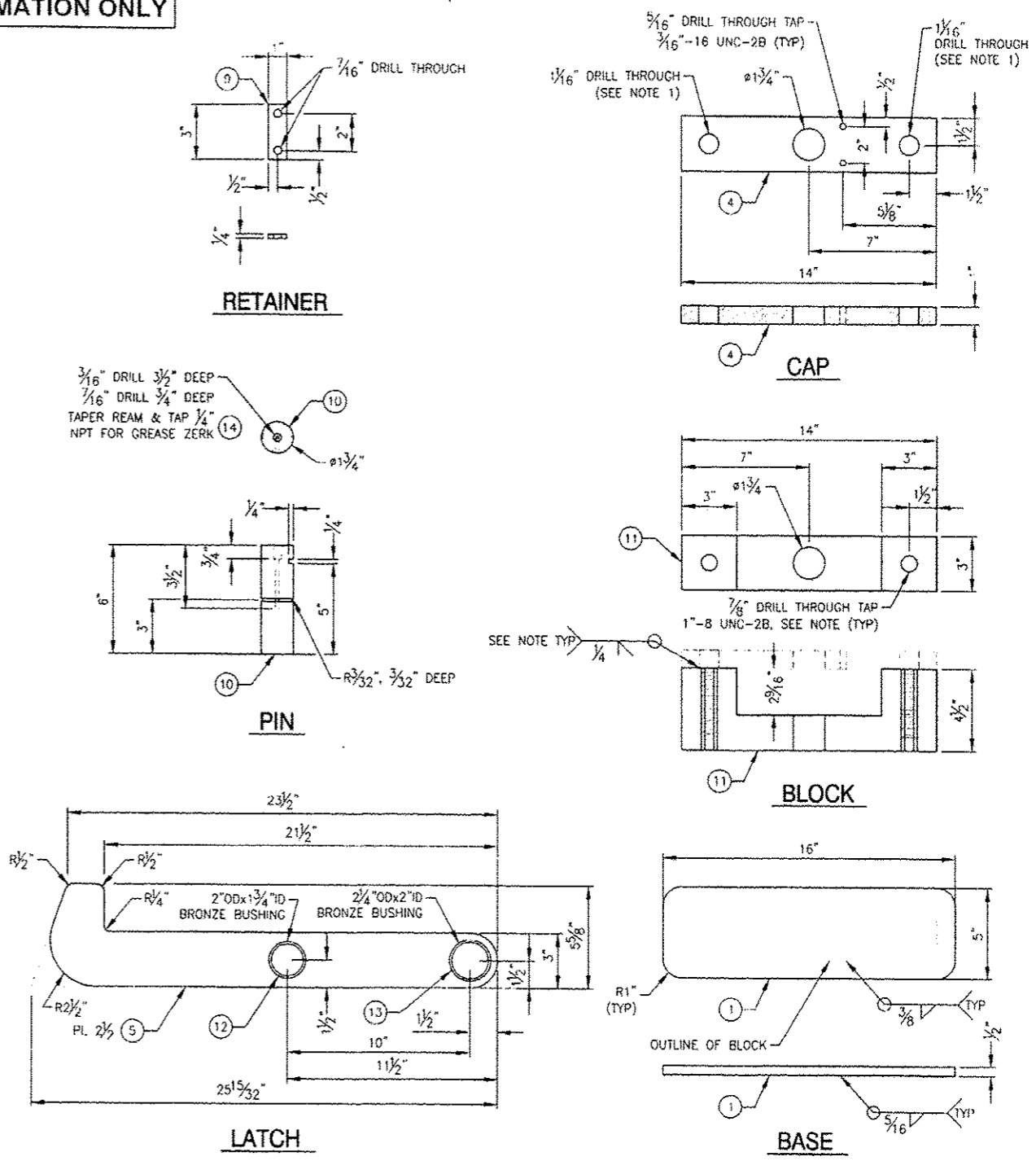
LATCH ASSEMBLY
SCALE: 1" = 1'-0"



TOWING LATCH HOOK ANGLE
SCALE: 3/8" = 1'-0"



CYLINDER FDN
SCALE: 3" = 1'-0"



LATCH AND LATCH FDN PIECES
SCALE: 3" = 1'-0"

NOTE:
1. "CAP" MAY BE WELDED TO "BLOCK"
THEREFORE BOLTS, HOLES & THREADED
HOLES MAY BE ELIMINATED

| BILL OF MATERIAL | | | |
|------------------|------|---------------------------------|---|
| PC NO. | QTY | DESCRIPTION | MATERIAL/SPECIFICATION/REMARKS |
| 1 | 2 EA | BASE | 1/2" PLATE, A-36, 5"x16" |
| 2 | 2 EA | CYLINDER FDN BASE | 1/2" PLATE, A-36, 8"x5" |
| 3 | 2 EA | CYLINDER FDN BRACKET | 1/2" PLATE, A-36, 5"x5" |
| 4 | 2 EA | CAP | 1" PLATE, A-36, 3"x14" |
| 5 | 2 EA | LATCH | 2 1/2" PLATE, A-36, 5 5/8" x 2 1/2" |
| 6 | 4 EA | LATCH ANGLE BRACKET WITH 3" FLG | 3/8" PLATE, A-36, 48"x32" & 21"x30" |
| 7 | 2 EA | LATCH ANGLE | LSx3 1/2"x3/4"x67 1/2" LONG, A-36 |
| 8 | 4 EA | FB 3/8"x5"x5" LONG | A-36 |
| 9 | 2 EA | RETAINER | FB 1/4"x1", A-36, 3" LONG |
| 10 | 2 EA | PIN | RB 1 1/4", 1045 STEEL, 6" LONG |
| 11 | 2 EA | BLOCK | 4 1/2" BAR, A-36, 3"x14" |
| 12 | 2 EA | BUSHING | 2"ODx1 1/4"IDx2 1/2" LONG, BRONZE PRESS FIT |
| 13 | 2 EA | BUSHING | 2 1/4"ODx2 1/4"IDx2 1/2" LONG, BRONZE PRESS FIT |
| 14 | 2 EA | GREASE ZERK | COMMERCIAL, SST, 1/4" NPT |
| 15 | 2 EA | PNEUMATIC CYLINDER | PARKER HANNIFIN 4.00CBB2AUSBACX6.875 |
| 16 | 2 EA | CLEVIS | PARKER HANNIFIN 50947 |
| 17 | 2 EA | PIN | PARKER HANNIFIN 6B373 |
| 18 | 2 EA | MOUNTING PLATE | PARKER HANNIFIN 69196 |
| 19 | 2 EA | CYLINDER FDN MOUNTING PLAT | 1/2" PLATE, A-36, 5"x3 1/2" |

▲ SHEET ADDED 9-6-2013

| | | | | | | | | | | | |
|-------------|--------------|----------------------|-----------------------------|---|--|--------------------------------|---------|--------|--------------|-----------|--|
| FILE NAME = | USER NAME = | DESIGNED -- E SNYDER | REVISED -- REV A 07/21/2011 | STATE OF ILLINOIS DEPARTMENT OF TRANSPORTATION | IDOT BRUSSELS FERRY TOW LINKAGE - LATCH | F.A.P. RTR. | SECTION | COUNTY | TOTAL SHEETS | SHEET NO. | |
| | PLOT SCALE = | DRAWN -- J WALKER | REVISED -- | | | 761 | 101-1-2 | | 64 | 64C | |
| | PLOT DATE = | CHECKED -- P MARTIN | REVISED -- | | | CONTRACT NO. 76G16 | | | | | |
| | | DATE -- 10/04/2010 | REVISED -- | | | DRAWING NO. CEIDT001BA-611-203 | | | | | |

