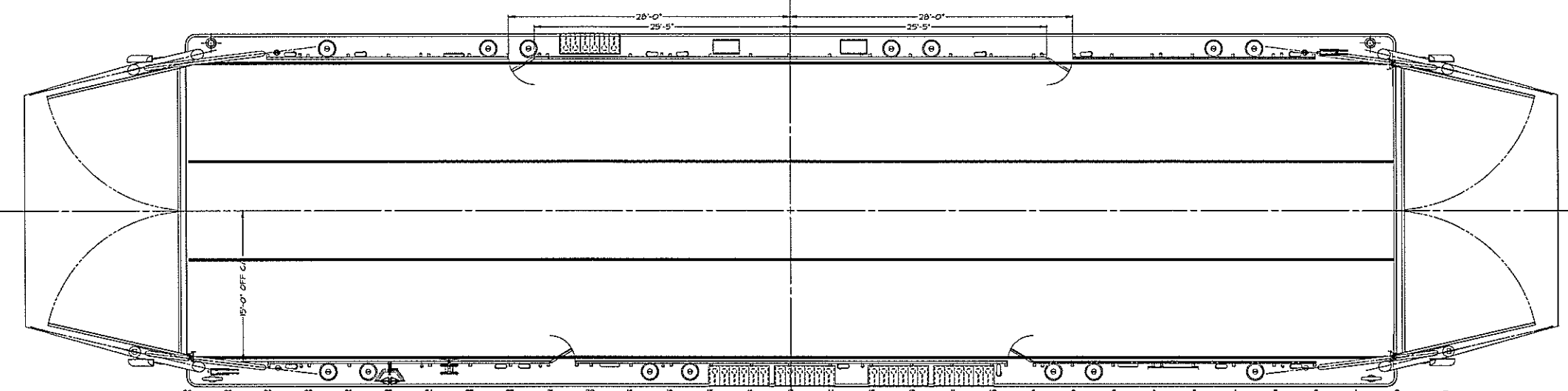
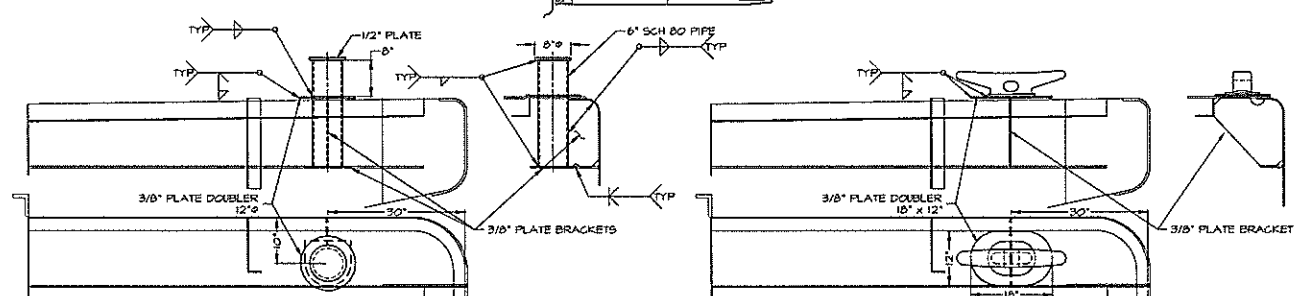


REVISIONS			
NO.	DESCRIPTION	DATE	APPROVED
1	FIRST ISSUE	03/20/99	



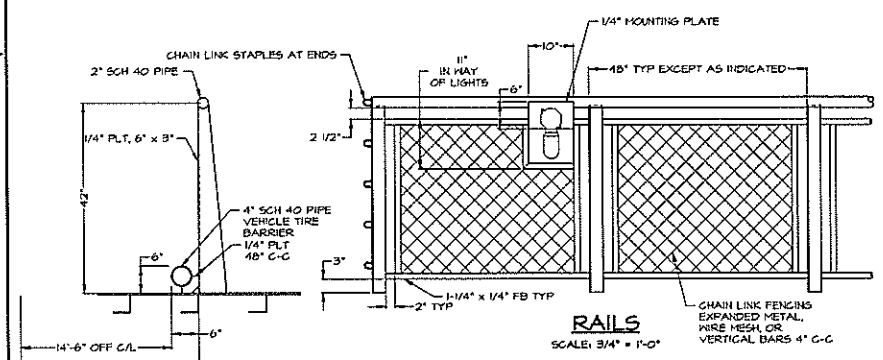
DECK PLAN

PROFILE

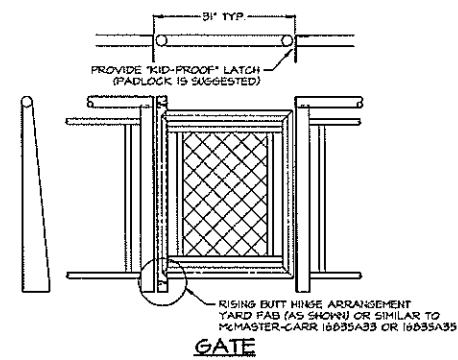


BITT DETAIL 2-C
2 PLACES ON PUSHBOAT SIDE
SCALE: 3/4" = 1'-0"

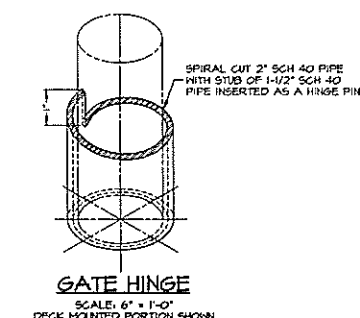
24" KEVEL DETAIL 1-C
2 PLACES OPPOSITE OF PUSHBOAT
SCALE: 3/4" = 1'-0"



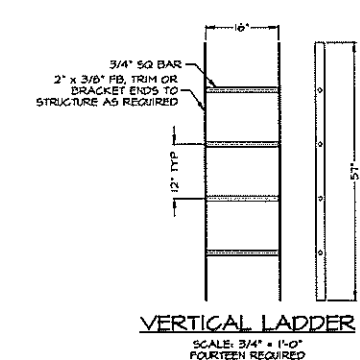
RAILS
SCALE: 3/4" = 1'-0"



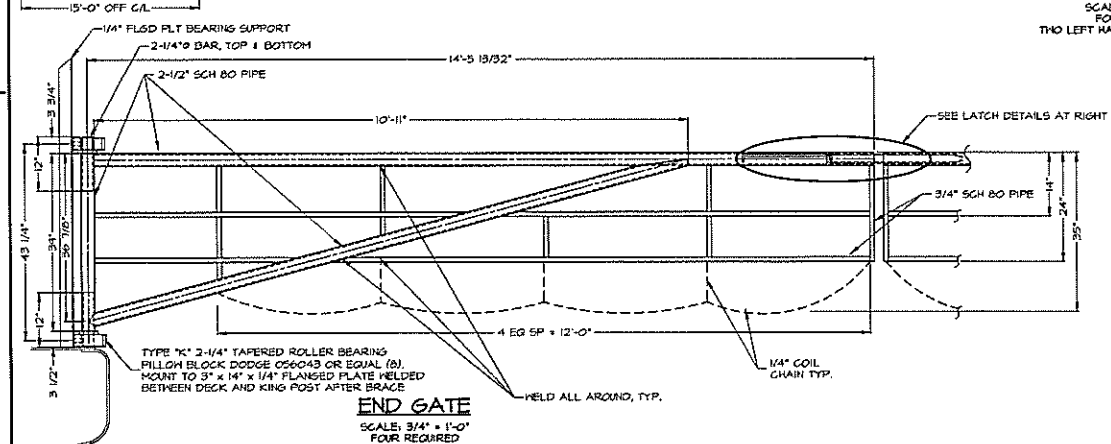
GATE
SCALE: 3/4" = 1'-0"
FOUR REQUIRED
THO LEFT HAND & THO RIGHT HAND



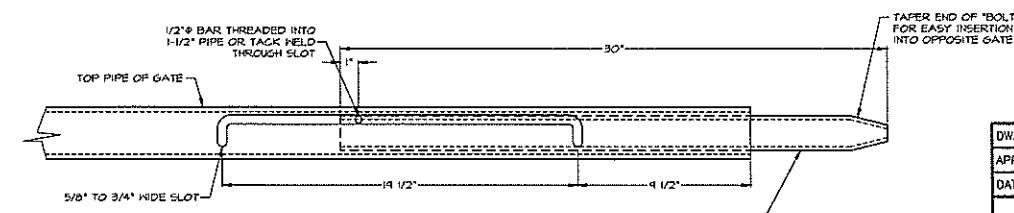
GATE HINGE
SCALE: 6" = 1'-0"
DECK MOUNTED PORTION SHOWN



VERTICAL LADDER
SCALE: 3/4" = 1'-0"
FOURTEEN REQUIRED
1 AT EACH MANHOLE



END GATE
SCALE: 3/4" = 1'-0"
FOUR REQUIRED



BARREL BOLT
SCALE: 3" = 1'-0"
THO REQUIRED

DWN. P.L.G. HITT	TGMD, Inc. / Timothy Graul marine design	
APPD.	naval architects	marine engineers
DATE 20 SEPT 1999	Sturgeon Bay, WI 54235	
PROJECT	120'-0" x 35'-0" x 4'-4" BRUSSELS FERRY BARGE	Project No. 99005
	IDOT JOB D-48-018-49	Scale: 3/16" = 1'-0"
	ILLINOIS DEPARTMENT OF TRANSPORTATION	REV. - Date 04/20/99
TITLE	RAILS, LADDERS, GATES AND DECK FITTINGS	Drawing No. 623-201

Proj: 99005 Dwg. 623-201 Rev. - Title RAILS, LADDERS, GATES AND DECK FITTINGS