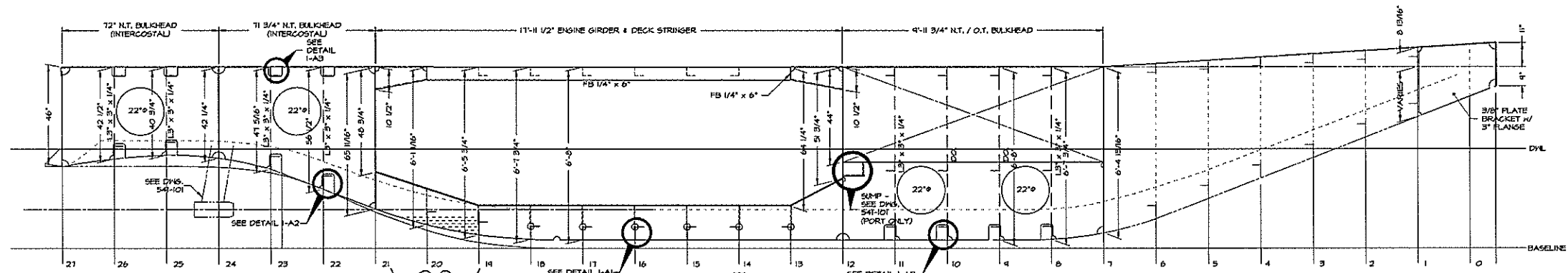
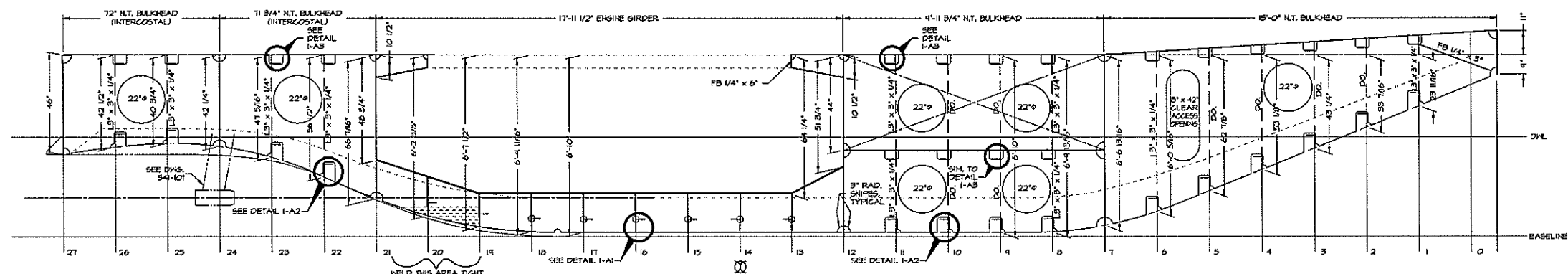


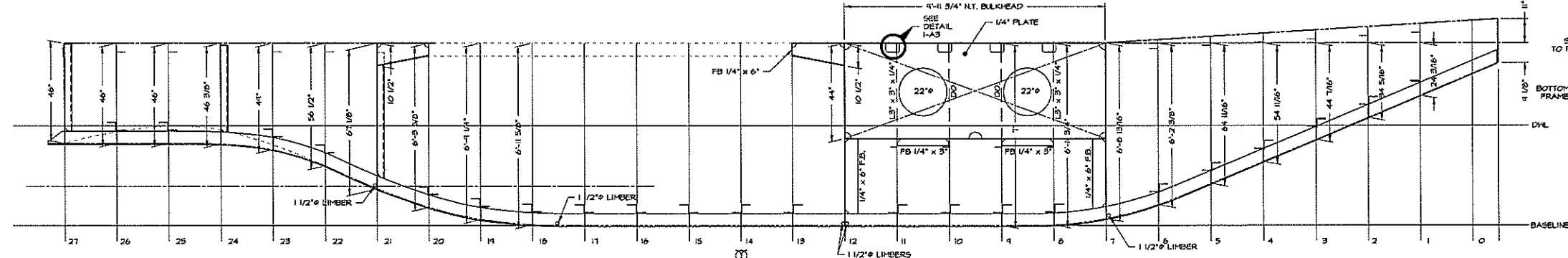
REVISIONS			
ITN	DESCRIPTION	DATE	APPROVED
A	CHGTD TO RADUIS BULGE FULL LENGTH	7/25/00	



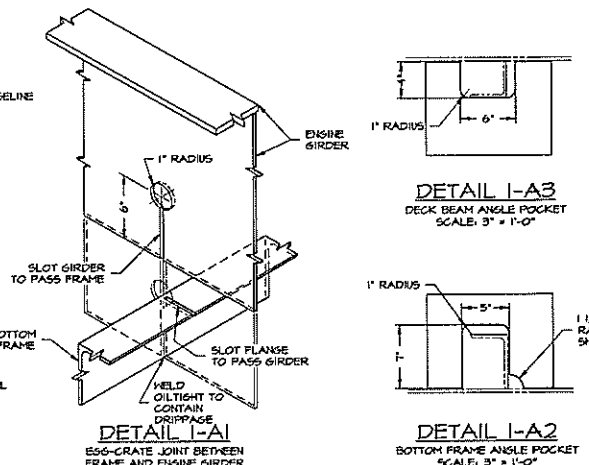
**STRUCTURE 6'-0" OFF CENTERLINE**  
BULKHEADS ARE 1/4" HR. ASTM-A36 STEEL PLATE



**STRUCTURE 36 INCHES OFF CENTERLINE**  
BULKHEADS ARE 1/4" HR. ASTM-A36 STEEL PLATE



**STRUCTURE ON CENTERLINE**  
KEEL IS FB 1" x 6" & CUT PLATE



DWN. R.K. Thompson	<b>TGMD, Inc. / Timothy Graul marine design</b>	
APPD.	naval architects	marine engineers
DATE 18 JULY 1999	Sturgeon Bay, WI 54235	
PROJECT	55'-0" x 18'-0" x 7'-0" BRUSSELS FERRY PUSHBOAT	Project No. 99005
ILLINOIS DEPARTMENT OF TRANSPORTATION	IDOT JOB D-40-018-49	Scale: 1/2" = 1'-0"
TITLE	LONGITUDINAL STRUCTURE	REV. A Date: 07/15/00
		Drawing No. 116-101

Proj. 99005 Dwg. 116-101 Rev. A Title LONGITUDINAL STRUCTURE