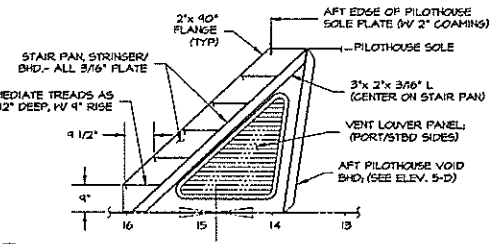
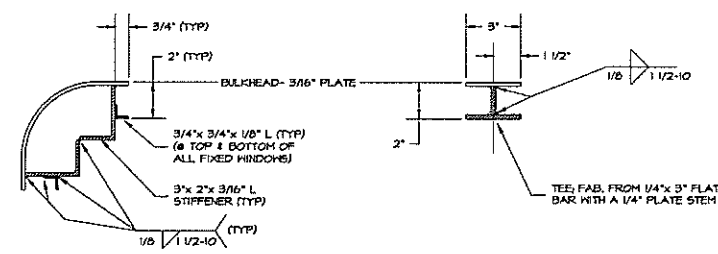


REVISIONS			
LN	DESCRIPTION	DATE	APPROVED
1	FIRST ISSUE	09/20/99	

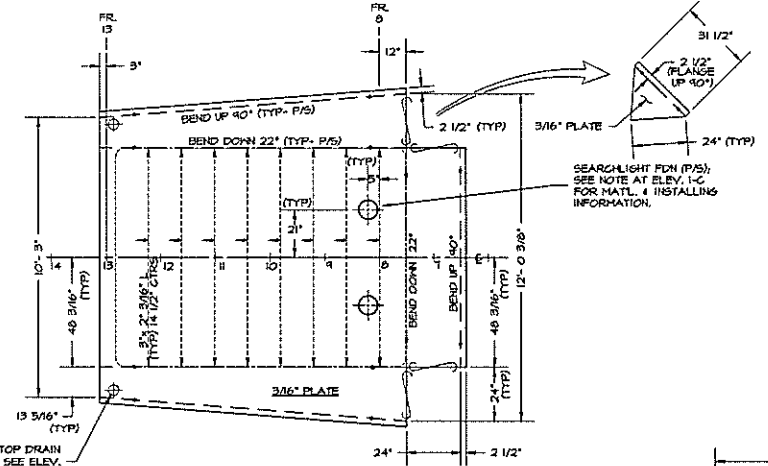


**SECTION 5-E**  
THROUGH ENGINE ROOM VENT  
TRUNK/ PILOTHOUSE STAIRS  
LOOKING TO PORT  
1/2" = 1'-0"



**SECTION 4-E**  
THROUGH AFT PILOTHOUSE CORNER  
IN WAY OF WINDOW CUTOUTS  
3" = 1'-0"

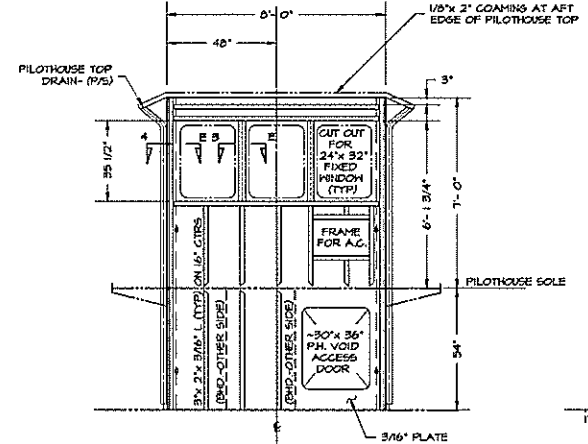
**SECTION 3-E**  
THROUGH AFT PILOTHOUSE  
STRUCTURE BETWEEN WINDOWS  
3" = 1'-0"



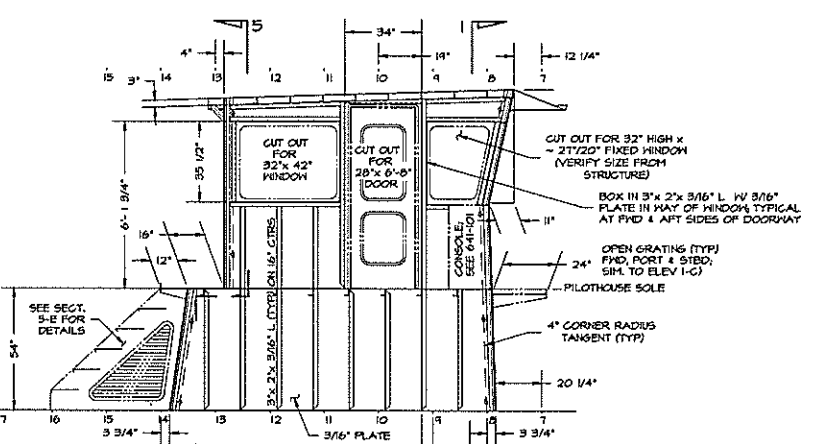
**PILOTHOUSE TOP (EXPANDED)**

SEARCHLIGHT FOUNDATION - 8\"/>

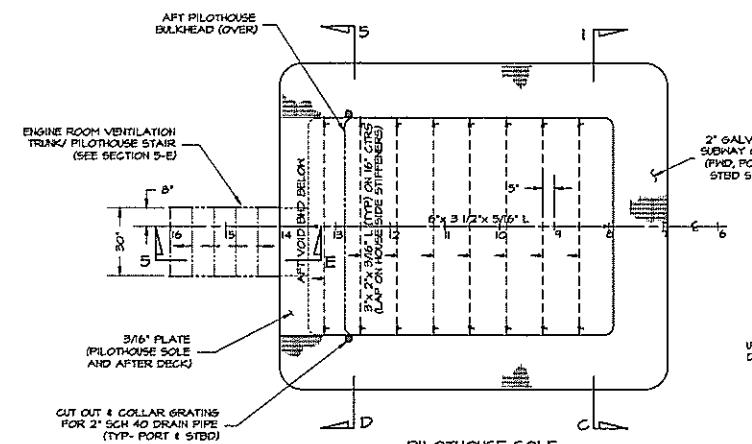
**NOTE**  
ALL STAIR TREADS SHALL HAVE DRAIN HOLES AT BOTH FORWARD CORNERS, TO ALLOW WATER TO DRAIN TO DECK ON STAIR PAN PLATE. INSTALL 'WOODSTOCK' STYLE 500 ALUMINUM/BRASS TREAD OVERLAYS AT ALL STAIR TREADS.



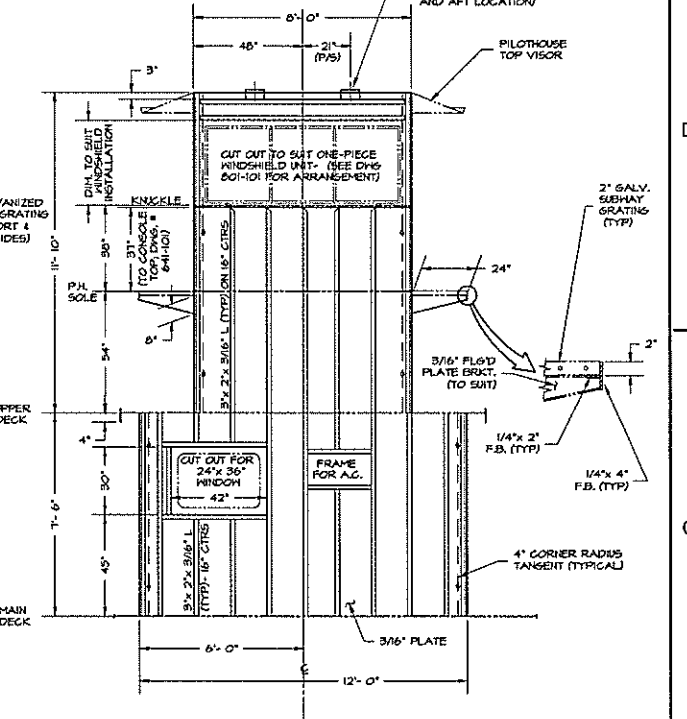
**ELEVATION 5-D**  
PILOTHOUSE / VOID AFT BULKHEAD  
LOOKING AFT  
3/8" = 1'-0"



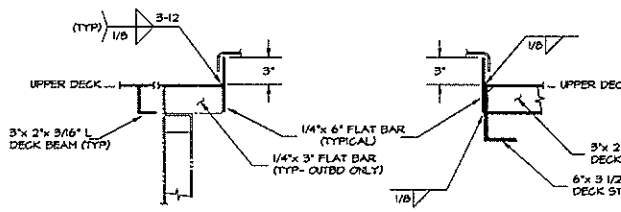
**ELEVATION 4-D**  
PILOTHOUSE - PORT SIDE  
STARBOARD SIDE SIMILAR AND OPPOSITE  
3/8" = 1'-0"



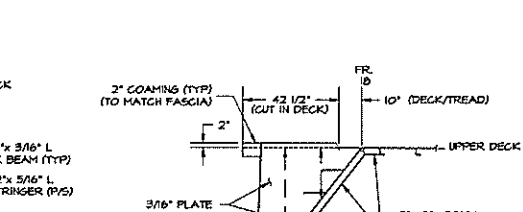
**PILOTHOUSE SOLE**



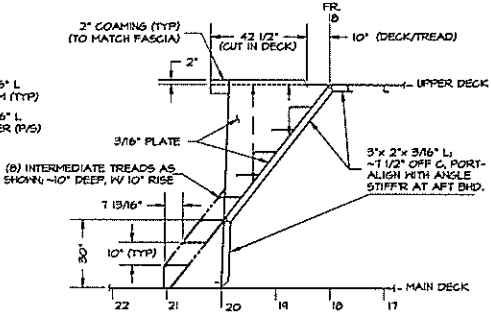
**ELEVATION 1-C**  
PILOTHOUSE MAIN DECKHOUSE FRONT  
LOOKING FORWARD  
3/8" = 1'-0"



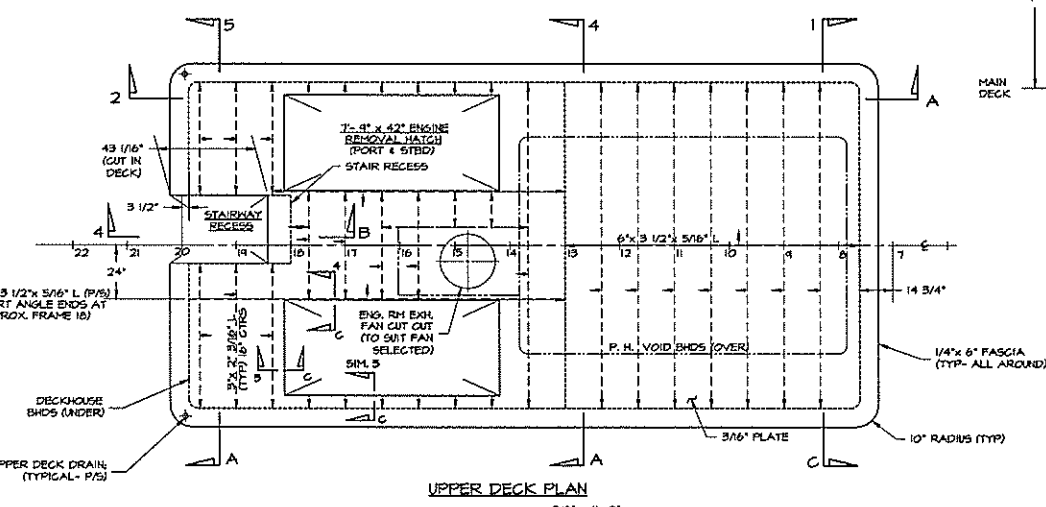
**SECTION 5-C**  
TYPICAL SECTION AT  
ENGINE HATCHES  
1 1/2" = 1'-0"



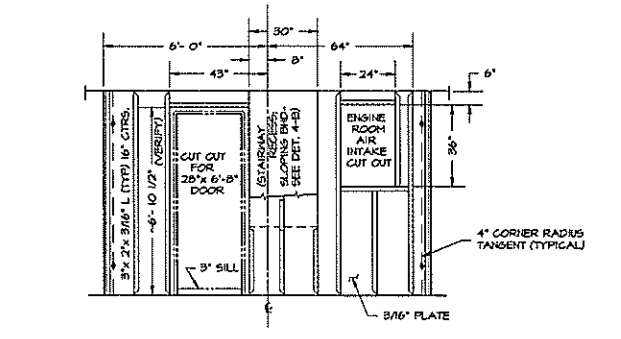
**SECTION 4-C**  
TYPICAL SECTION AT  
ENGINE HATCHES  
1 1/2" = 1'-0"



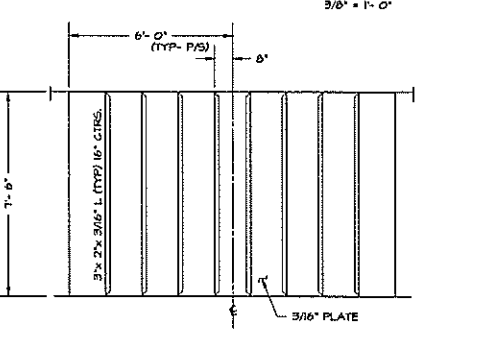
**SECTION 4-B**  
AT C, LOOKING TO PORT,  
THROUGH STAIRWAY RECESS - (SEE ALSO  
STAIR TREAD NOTE AT SECT. 5-E)  
3/8" = 1'-0"



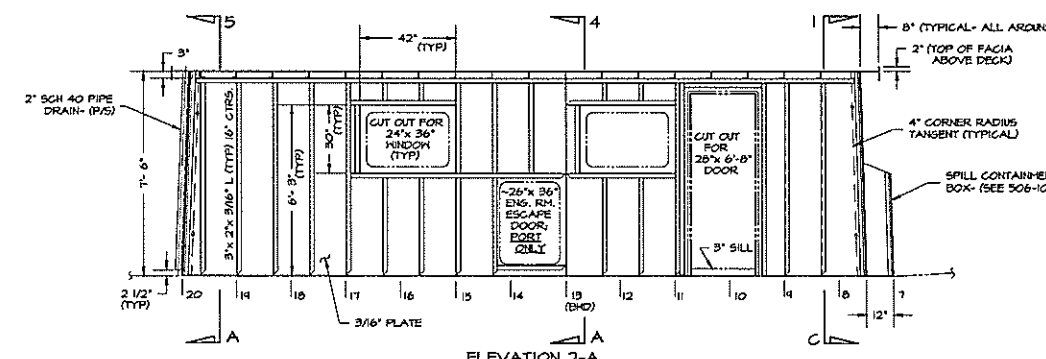
**UPPER DECK PLAN**  
3/8" = 1'-0"



**ELEVATION 5-A**  
MAIN DECKHOUSE - AFT BULKHEAD  
LOOKING AFT  
3/8" = 1'-0"



**ELEVATION 4-A**  
BULKHEAD B  
LOOKING AFT  
3/8" = 1'-0"



**ELEVATION 2-A**  
MAIN DECKHOUSE (PORT SIDE)  
STARBOARD SIDE SIMILAR AND OPPOSITE  
EXCEPT AS NOTED.  
3/8" = 1'-0"

DWN. J.C. Birmingham	<b>TGMD, Inc. / Timothy Graul marine design</b>	
APPD.	naval architects	marine engineers
DATE 20 SEPT 1999	Sturgeon Bay, WI 54235	Project No. 99005
	PROJECT 55'-0" x 18'-0" x 7'-0" BRUSSELS FERRY PUSHBOAT	Scale: 3/8" = 1'-0"
	IDOT JOB D-98-078-99	REV. - Date: 04/20/99
	ILLINOIS DEPARTMENT OF TRANSPORTATION	Drawing No. 151-101
	TITLE DECKHOUSE AND PILOTHOUSE CONSTRUCTION	

Proj. 99005 Dwg. 151-101 Rev. - Title DECKHOUSE AND PILOTHOUSE CONSTRUCTION