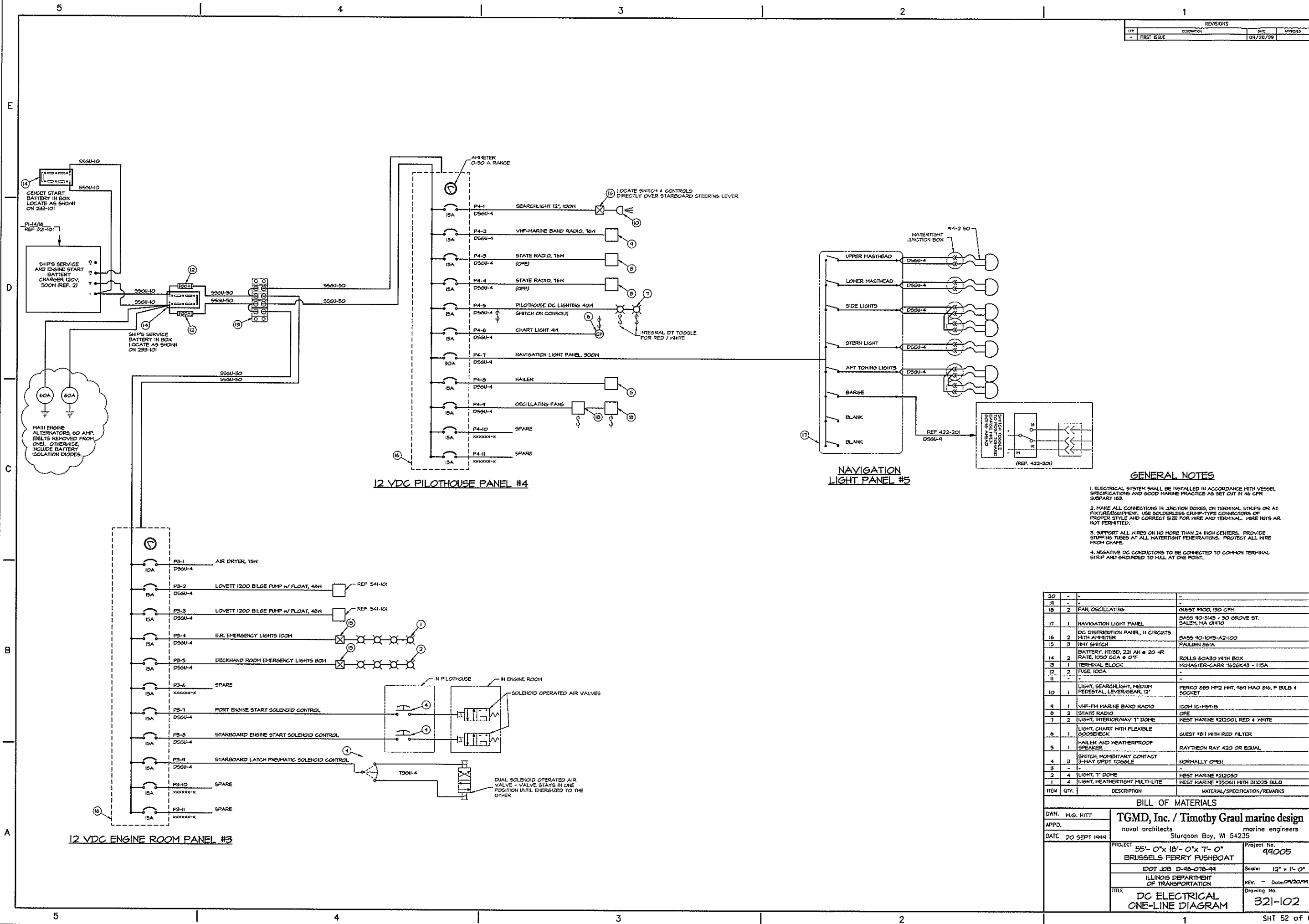


REVISIONS			
REV	DESCRIPTION	DATE	APPROVED
1	FIRST ISSUE	09/20/99	



ITEM	QTY.	DESCRIPTION	MATERIAL/SPECIFICATION/REMARKS
20	-	-	-
19	-	-	-
18	2	FAN, OSCILLATING	GUEST #100, 150 CFM
17	1	NAVIGATION LIGHT PANEL	BASS 40-3145 - 50 GROVE ST. SALEM, MA 01970
16	2	DC DISTRIBUTION PANEL, 11 CIRCUITS WITH AMMETER	BASS 40-1045-A2-100
15	3	WXT SWITCH	FALLON #61A
14	2	BATTERY, 147/50, 221 AH @ 20 HR RATE, 1050 CCA @ 0°F	ROLLS 60330 WITH BOX
13	1	TERMINAL BLOCK	McMASTER-CARR #262K43 - 175A
12	2	FUSE, 100A	-
11	-	-	-
10	1	LIGHT, SEARCHLIGHT, MEDIUM PEDESTAL, LEVER/GEAR, 12"	PERKO 885 MP2 14T, 464 MAO 216, P BULB & SOCKET
9	1	VHF-FM MARINE BAND RADIO	100M 15-15T-B
8	2	STATE RADIO	OFF
7	2	LIGHT, INTERIOR/NAV 1" DOME	WEST MARINE #212001, RED & WHITE
6	1	LIGHT, CHART WITH FLEXIBLE GOOSENECK	GUEST #811 WITH RED FILTER
5	1	HAILER AND WEATHERPROOF SPEAKER	RAYTHEON RAY 420 OR EQUAL
4	3	SWITCH MOMENTARY CONTACT 3-POS DPDT TOGGLE	NORMALLY OPEN
3	-	-	-
2	4	LIGHT, 1" DOME	WEST MARINE #212050
1	4	LIGHT, WEATHERTIGHT MULTI-LITE	WEST MARINE #350611 WITH 31025 BULB

BILL OF MATERIALS			
DWN.	W.G. HITT	TGMD, Inc. / Timothy Graul marine design	
APPD.		naval architects marine engineers	
DATE	20 SEPT 1999	Sturgeon Bay, WI 54235	
PROJECT	55'-0"x 18'-0"x 7'-0" BRUSSELS FERRY PUSHBOAT	Project No.	19005
	IDOT JOB D-48-078-99	Scale:	1/2" = 1'-0"
	ILLINOIS DEPARTMENT OF TRANSPORTATION	REV.	Date 09/20/99
TITLE	DC ELECTRICAL ONE-LINE DIAGRAM	Drawing No.	321-102

Proj. 99005 Dwg. 321-102 Rev. 1 Title DC ELECTRICAL ONE-LINE DIAGRAM