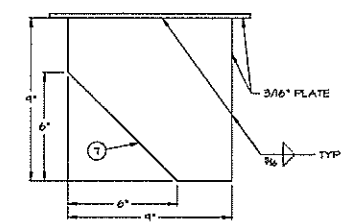
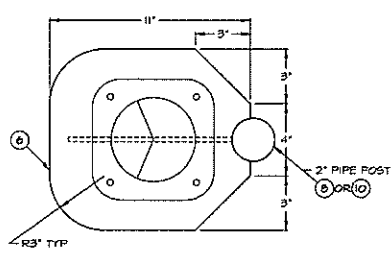
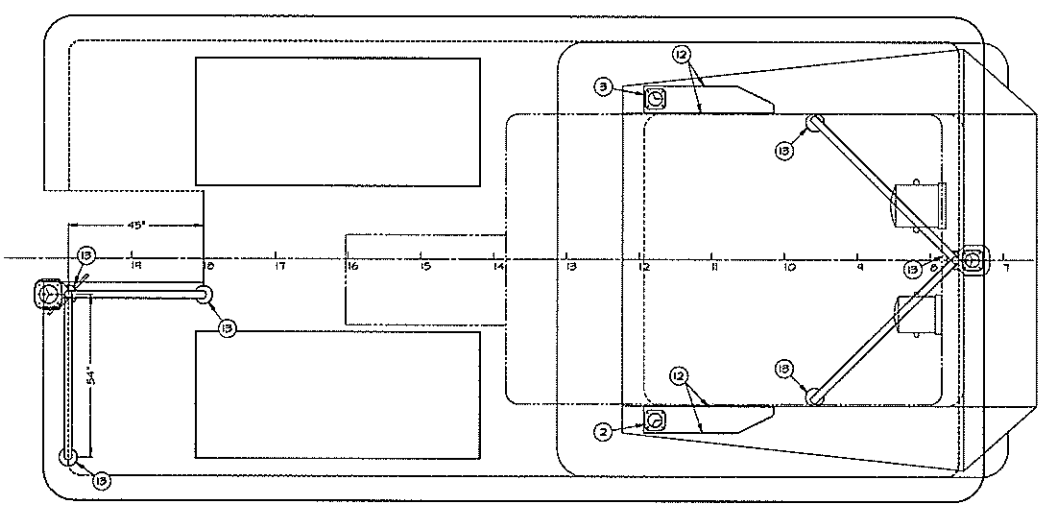


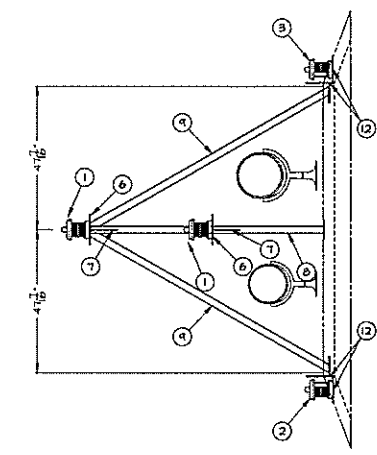
REVISIONS			
LTN	DESCRIPTION	DATE	APPROVED
1	FIRST ISSUE	09/20/99	



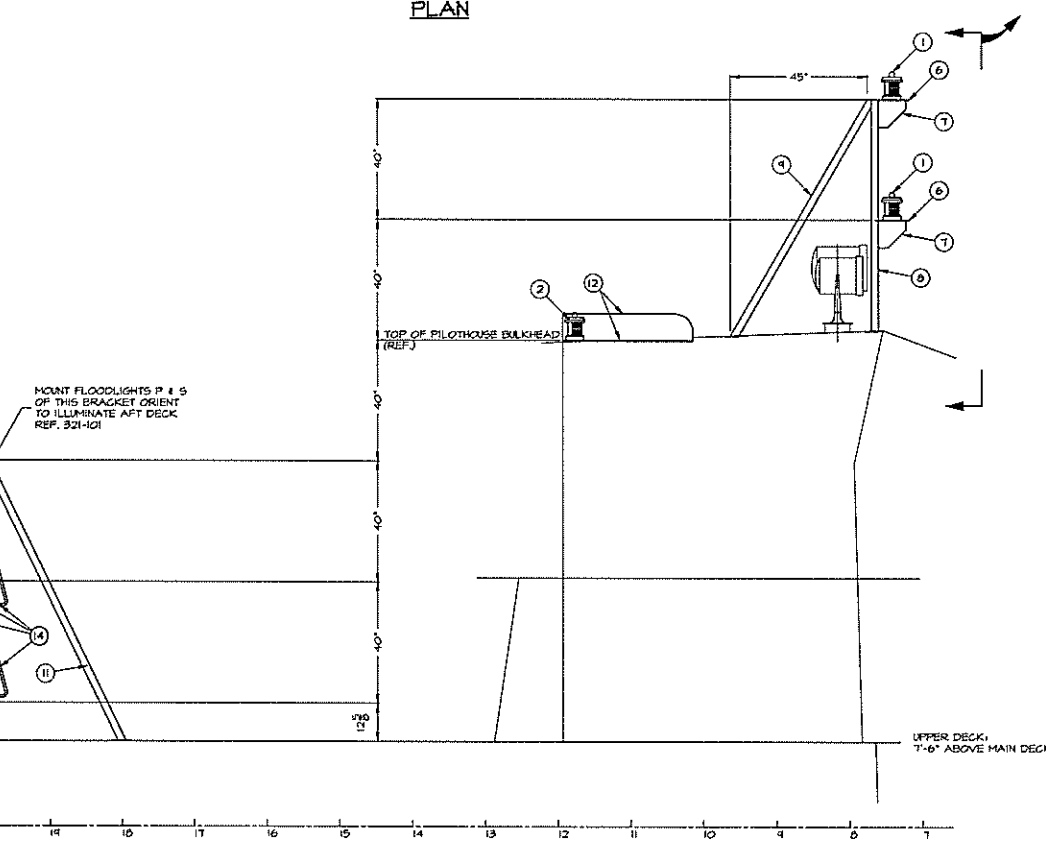
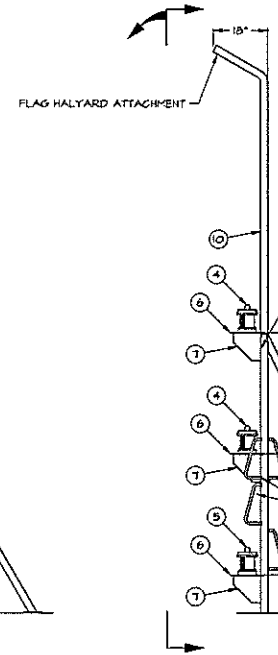
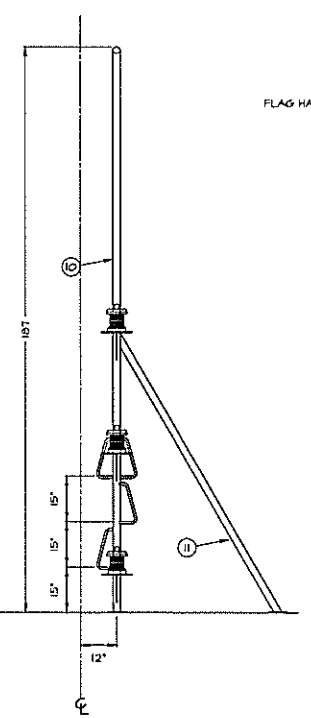
LIGHT BRACKET
SCALE: 3" = 1'-0"
FIVE REQUIRED
PLATE SIZES MAY BE ADJUSTED
TO FIT LIGHT FIXTURES



PLAN



CLIMBING STIRRUP
SCALE: 3" = 1'-0"
FOUR REQUIRED



PROFILE

ITEM	QTY.	DESCRIPTION	MATERIAL/SPECIFICATION/REMARKS
15	-	-	-
14	4	RB 3/4" x APPROX 23" LONG	ASTM A-36, CLIMBING STIRRUPS
13	6	3/16" PLATE x 6" W	ASTM A-36, DOUBLERS UNDER PCB. 8, 9, 10, 11
12	4	3/16" PLATE 12" x 43"	ASTM A-36, SIDE LIGHT SHIELDS
11	2	PIPE 2" SCH 40 x APPROX 9'-0" LONG	ASTM A-53, TRIM ENDS TO FIT
10	1	PIPE 2" SCH 80 x APPROX 16'-0" LONG	ASTM A-53, TRIM ENDS TO FIT
9	2	PIPE 2" SCH 40 x APPROX 8'-4" LONG	ASTM A-53, TRIM ENDS TO FIT
8	1	PIPE 2" SCH 40 x APPROX 6'-4" LONG	ASTM A-53, TRIM ENDS TO FIT
7	5	3/16" PLATE 9" x 4"	ASTM A-36
6	5	3/16" PLATE 10" x 11"	ASTM A-36
5	1	STERN LIGHT 135" WHITE	PERKO 1124 ACO BLK OR EQUAL
4	2	TOWING LIGHT 135" YELLOW	PERKO 1124 HA0 BLK OR EQUAL
3	1	PORT SIDE LIGHT 123" RED	PERKO 1121 RA0 BLK OR EQUAL
2	1	STARBOARD SIDE LIGHT 123" GREEN	PERKO 1121 GA0 BLK OR EQUAL
1	2	MASTHEAD LIGHT 225" WHITE	PERKO 1128 ACO BLK OR EQUAL

BILL OF MATERIALS			
OWN.	W.G. HITT	TGMD, Inc. / Timothy Graul marine design	
APPD.		naval architects	marine engineers
DATE	20 SEPT 1999	Sturgeon Bay, WI 54235	
PROJECT	55'-0" x 18'-0" x 7'-0" BRUSSELS FERRY PUSHBOAT	Project No.	99005
	IDOT JOB D-98-018-99	Scale:	1/2" = 1'-0"
	ILLINOIS DEPARTMENT OF TRANSPORTATION	REV.	Date: 09/20/99
TITLE	RUNNING LIGHTS	Drawing No.	422-101

Proj. 99005 Dwg. 422-101 Rev. - TITLE RUNNING LIGHTS