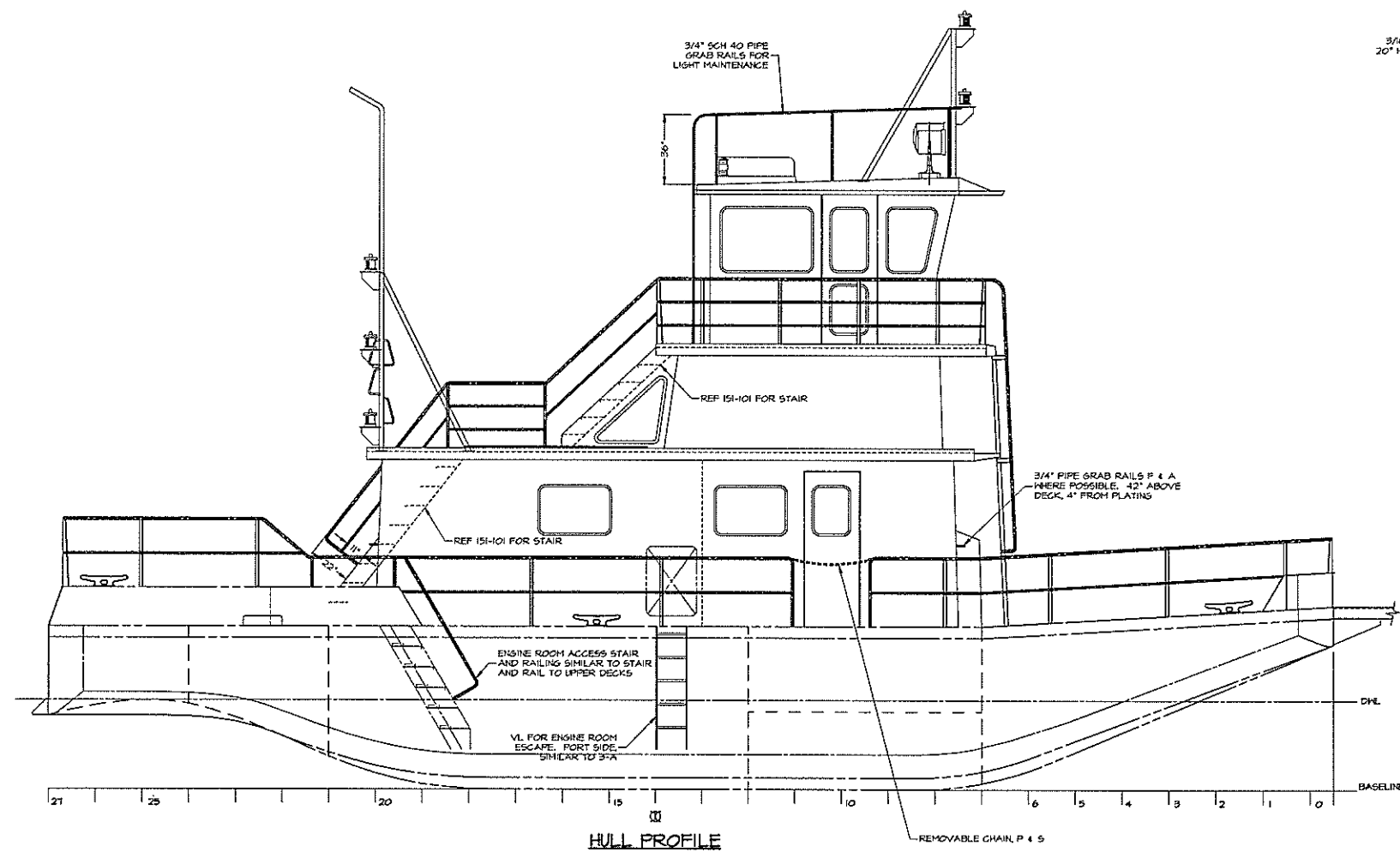


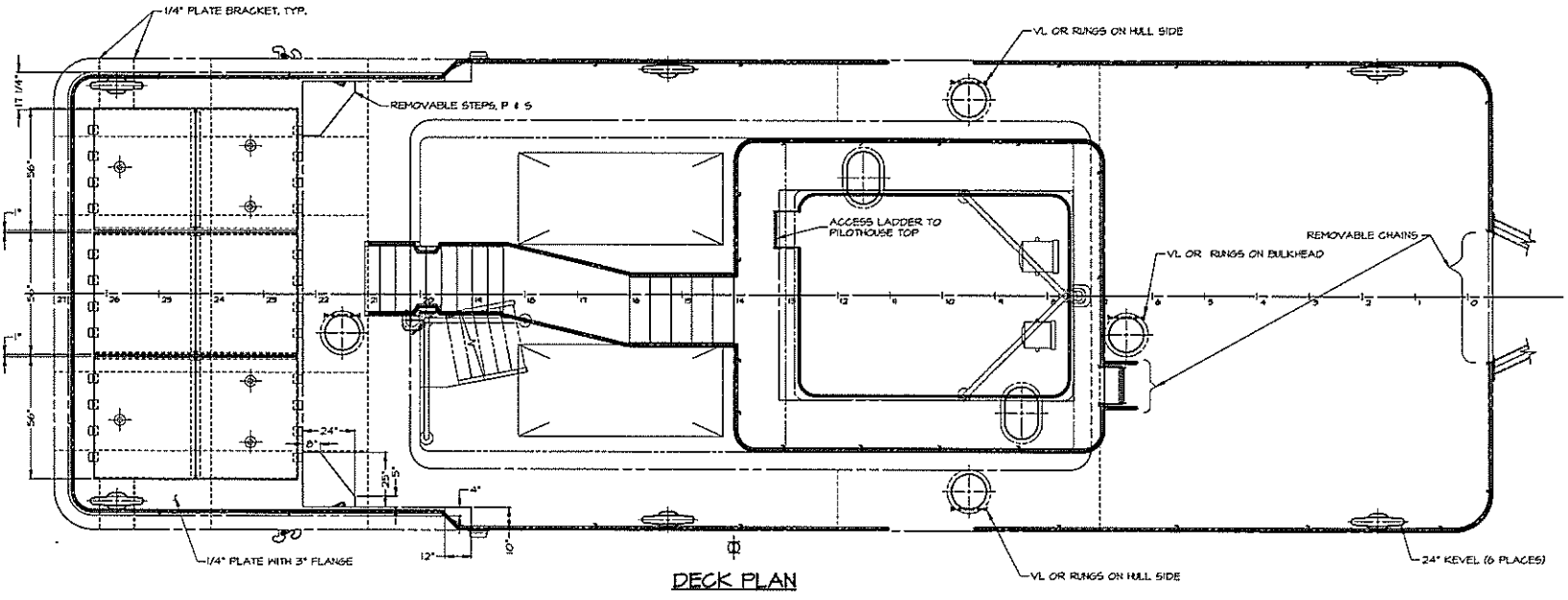
REVISIONS			
NO.	DESCRIPTION	DATE	APPROVED
A	CHG'D TO RADUS BULGE FULL LENGTH	7/5/00	

E
D
C
B
A

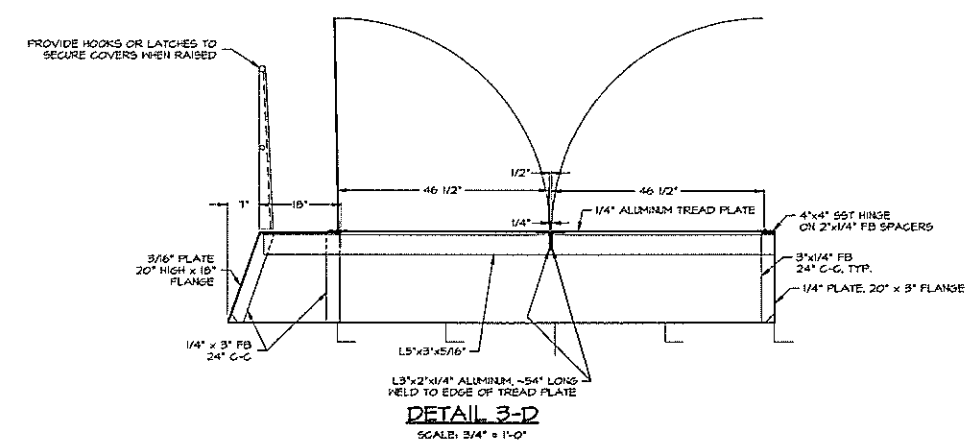
F
D
C
B
A



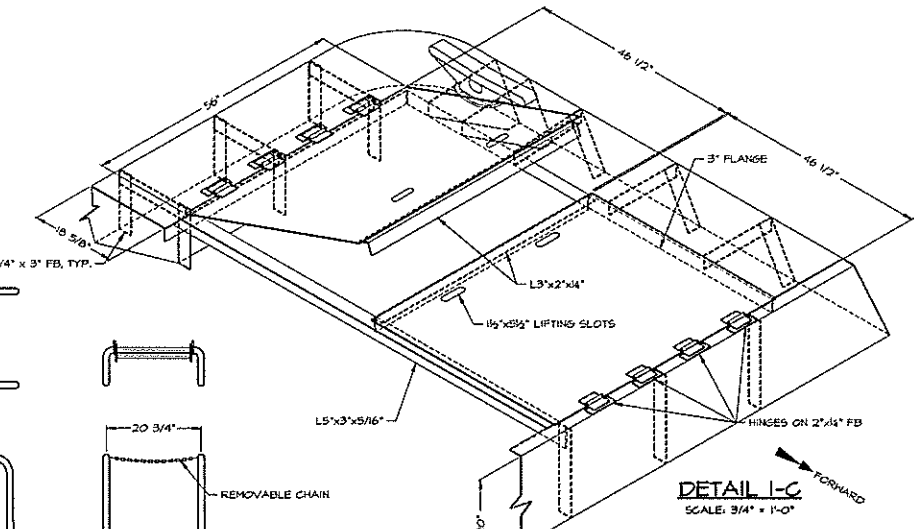
HULL PROFILE



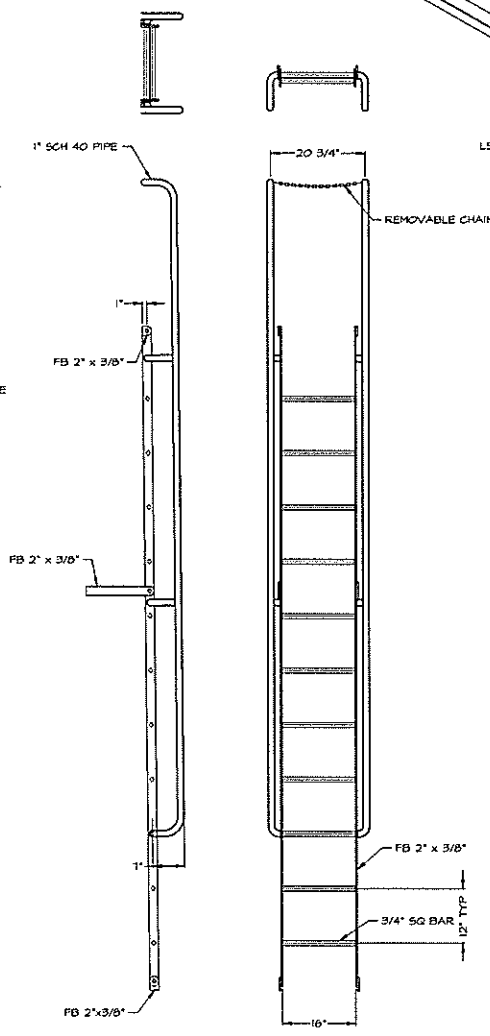
DECK PLAN



DETAIL 3-D
SCALE: 3/4" = 1'-0"



DETAIL 1-C
SCALE: 3/4" = 1'-0"



DETAIL 3-A
SCALE: 3/4" = 1'-0"

ITEM	QTY.	DESCRIPTION	MATERIAL/SPECIFICATION/REMARKS
15	-	-	-
14	72	BOLT, WASHER, NUT 1/4"	SST 304 OR 316, FASTENS SST HINGE TO ALUMINUM TREAD PLATE
13	A/R	FB 1/4" x 2"	ASTM A-36
12	A/R	SG BAR 3/4"	ASTM A-36
11	A/R	FB 3/8" x 4"	ASTM A-36
10	A/R	FB 3/8" x 2"	ASTM A-36
9	A/R	PIPE 3/4" SCH 40	ASTM A-53
8	A/R	PIPE 1" SCH 40	ASTM A-53
7	24	HINGE, 4" x 4" SST	MASTER-CARR 1642A82
6	A/R	ANGLE, 3"x2"x1/4" ALUMINUM	6061-T6
5	A/R	ANGLE, 3"x5"x5/16"	ASTM A-36
4	A/R	PLATE, 1/4" ALUMINUM TREAD	6061-T6
3	A/R	PLATE, 1/4"	ASTM A-36
2	A/R	PLATE, 3/16"	ASTM A-36
1	6	24" KEVEL	HARRISS DF-30

BILL OF MATERIALS

OWN.	W.S. HITT	TGMD, Inc. / Timothy Graul marine design naval architects Sturgeon Bay, WI 54235 marine engineers	Project No.	99005
APPD.			PROJECT	55'-0" x 18'-0" x 7'-0" BRUSSELS FERRY PUSHBOAT
DATE	30 JULY 1999		IDOT JOB D-48-078-41	Scale: 3/8" = 1'-0"
			ILLINOIS DEPARTMENT OF TRANSPORTATION	REV. A Date: 7/5/00
			TITLE	DECK FITTINGS, RAILS AND LADDERS
				Drawing No. 611-101

Proj. 99005 Dwg. 611-101 Rev. A Title DECK FITTINGS, RAILS AND LADDERS