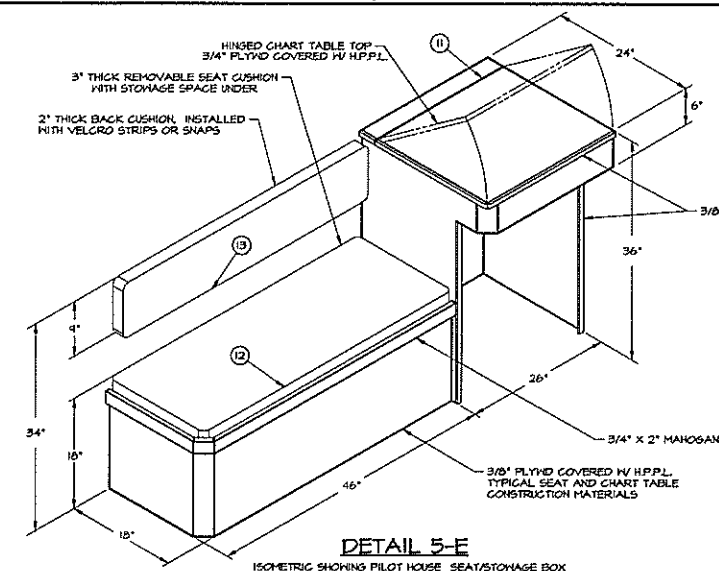
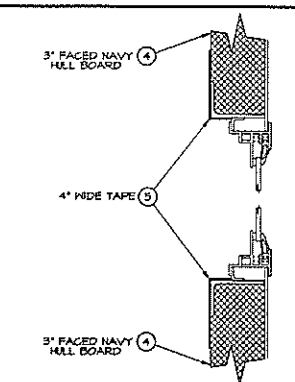


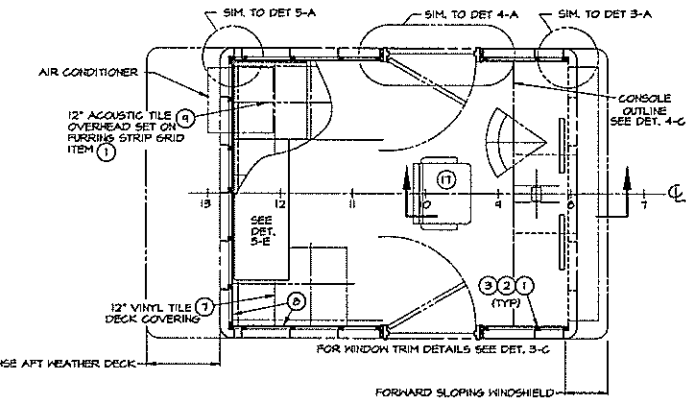
REVISIONS			
LN	DESCRIPTION	DATE	APPROVED
1	FIRST ISSUE	04/20/44	



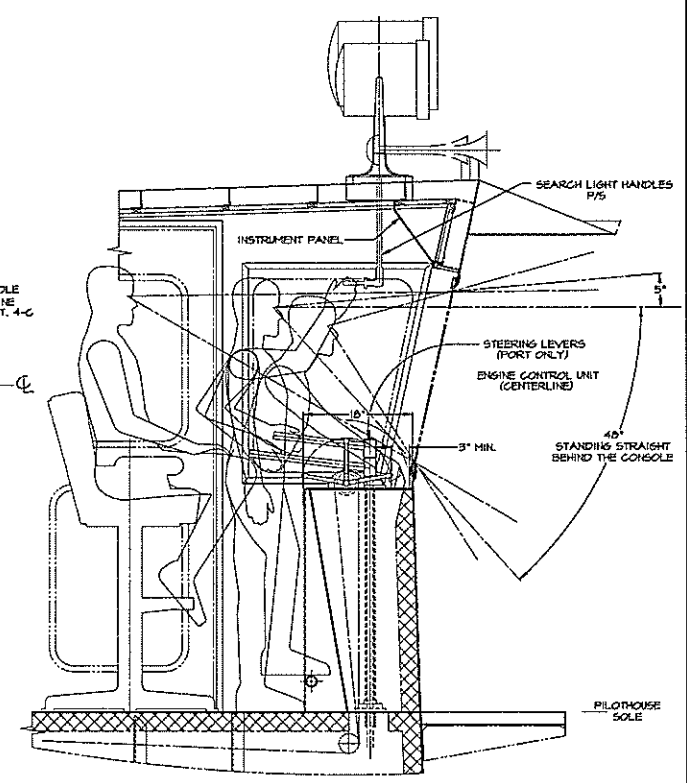
DETAIL 5-E
ISOMETRIC SHOWING PILOT HOUSE SEAT/STORAGE BOX AND CHART TABLE LOOKING AFT AND TO PORT 1" = 1'-0"



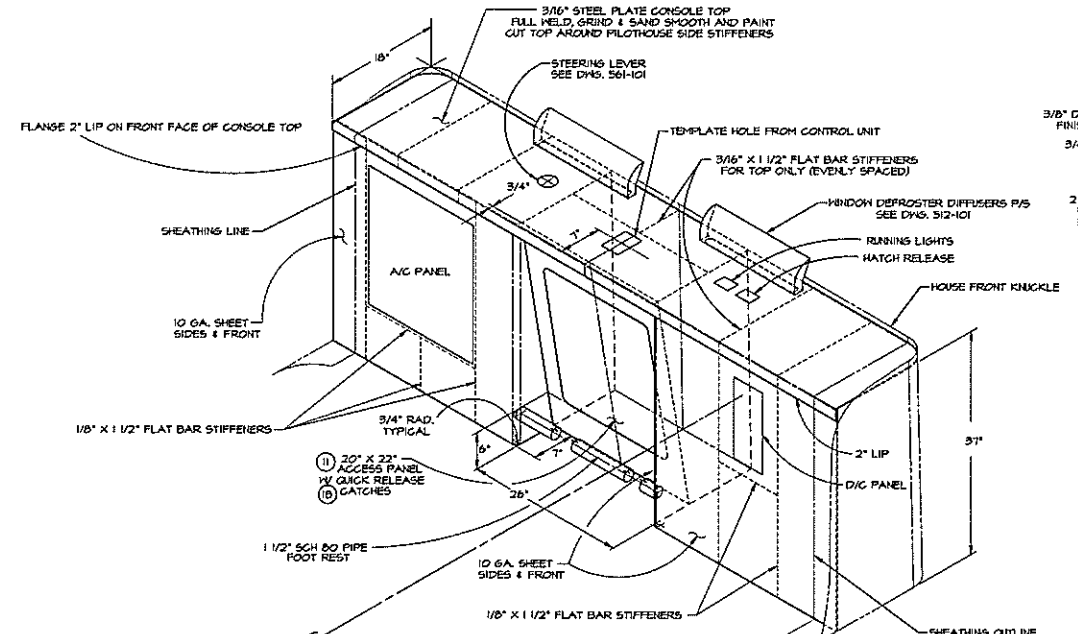
DETAIL 3-E
TYPICAL SECTION THROUGH ENGINE ROOM WINDOWS 3" = 1'-0"



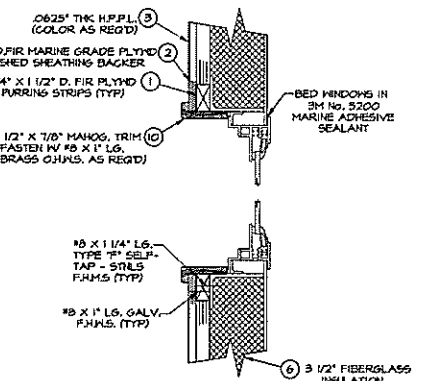
KEY PLAN VIEW 2-D
PILOT HOUSE ARRANGEMENT FURRINGS AND SHEATHING - SHOWN BELOW WINDOW LEVEL 1/2" = 1'-0"



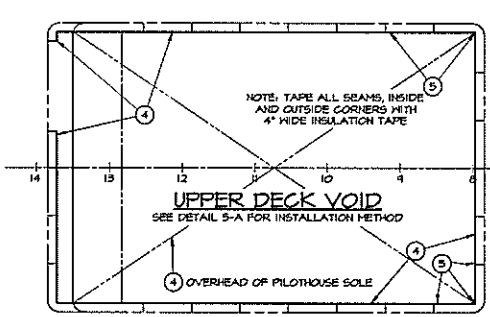
SECTION 1-D
OPERATOR'S EQUIPMENT SIGHT ARRANGEMENT AS VIEWED BY A 6'-0" TALL OPERATOR 1" = 1'-0"



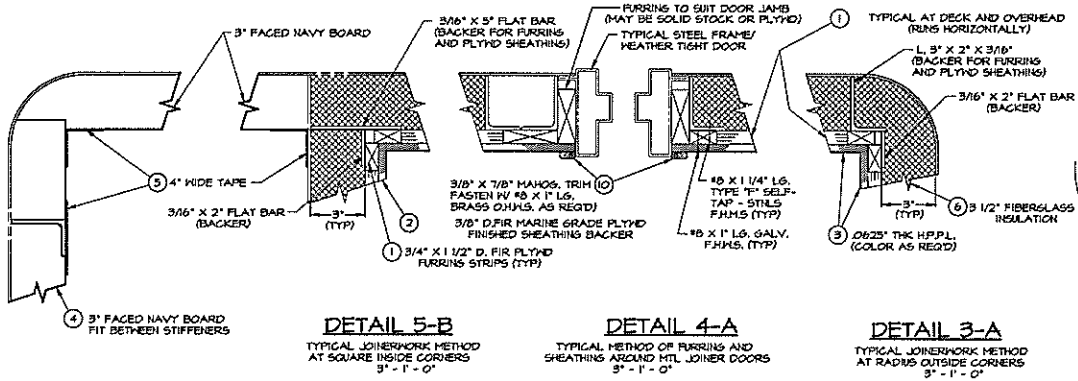
DETAIL 4-C
ISOMETRIC SHOWING PILOT HOUSE CONSOLE LOOKING FWD AND TO PORT 1" = 1'-0"



DETAIL 3-C
TYPICAL SECTION THROUGH WINDOW TRIM 3" = 1'-0"



KEY PLAN VIEW 2-C
VOID BELOW PILOT HOUSE SOLE 1/2" = 1'-0"

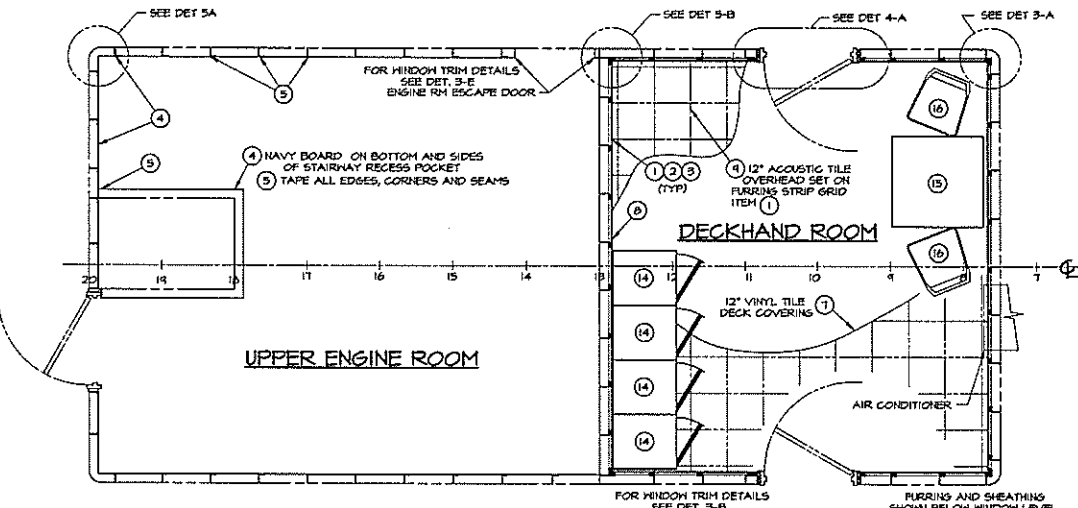


DETAIL 5-A
TYPICAL NAVY BOARD INSTALLATION METHOD 3" = 1'-0"

DETAIL 5-B
TYPICAL JOINERWORK METHOD AT SQUARE INSIDE CORNERS 3" = 1'-0"

DETAIL 4-A
TYPICAL METHOD OF FURRINGS AND SHEATHING AROUND MITL JOINER DOORS 3" = 1'-0"

DETAIL 3-A
TYPICAL JOINERWORK METHOD AT RADIUS OUTSIDE CORNERS 3" = 1'-0"



KEY PLAN VIEW 2-A
MAIN DECK HOUSE JOINER ARRANGEMENT 1/2" = 1'-0"

- GENERAL NOTES:**
- ADHESIVES SHALL COMPLY WITH THE SPECIFIC PRODUCTS MANUFACTURERS REQUIREMENTS AND RECOMMENDATIONS.
 - H.P.P.L. IS HIGH PRESSURE PLASTIC LAMINATE.
 - A MIN. OF 1/4" RADIUS SHALL BE USED AT ALL INSIDE CORNERS OR H.P.P.L. CUT-OUTS.
 - ALL METAL MUST BE CLEAN AND FREE OF OILS BEFORE PAINTING.
 - RESERVE EQUIPMENT ARRANGEMENT ON CONSOLE.

ITEM	QUAN.	DESCRIPTION	MATERIAL/SPECIFICATION/REMARKS
1		TABLE, SINGLE PEDESTAL, 30" SQ	STEEL/VARIOUS
2		CHAIR, STACKABLE	STEEL/VARIOUS
3		LOCKER, SINGLE TIER	STEEL
4		CUSHION, BACK, 2" THICK	FIRM FOAM RUBBER
5		CUSHION, SEAT, 3" THICK	FIRM FOAM RUBBER
6		HINGE, PIANO, 1 1/2" OPEN X 22" LG.	CHROME PLTD BRASS
7		ACQUSTIC TILE OVERHEAD SET ON FURRING STRIP GRID	12" VINYL TILE
8		NAVY BOARD ON BOTTOM AND SIDES OF STAIRWAY RECESS POCKET	3" FACED NAVY BOARD
9		INSULATION	3 1/2" FIBERGLASS
10		WIDE INSULATION TAPE	4" WIDE
11		NAVY BOARD	3" FACED
12		ACQUSTIC TILE OVERHEAD SET ON FURRING STRIP GRID	12" VINYL TILE
13		NAVY BOARD	3" FACED
14		INSULATION	3 1/2" FIBERGLASS
15		WIDE INSULATION TAPE	4" WIDE
16		NAVY BOARD	3" FACED
17		PILOT CHAIR, STANDARD, SHEVEL	ALUMINUM FRAME
18		GATCH, QUICK RELEASE	STL
19		TABLE, VARIOUS	STEEL/VARIOUS
20		CHAIR, STACKABLE	STEEL/VARIOUS

BILL OF MATERIALS	
DWN, C.J. BALESTRIERI	TGMD, Inc. / Timothy Graul marine design
APPD.	naval architects marine engineers
DATE 20 SEPT, 1944	Sturgeon Bay, WI 54235
PROJECT 55'-0" x 12'-0" x 7'-0" BRUSSELS FERRY PUSHBOAT	Project No. 49005
LOT JOB D-48-078-44	Scale: 1/2" = 1'-0"
ILLINOIS DEPARTMENT OF TRANSPORTATION	REV. - Date: 4/20/44
TITLE JOINERWORK AND INTERIOR	Drawing No. 641-101

Proj. 55005, Dwg. 641-101 Rev. 1 Title JOINERWORK AND INTERIOR