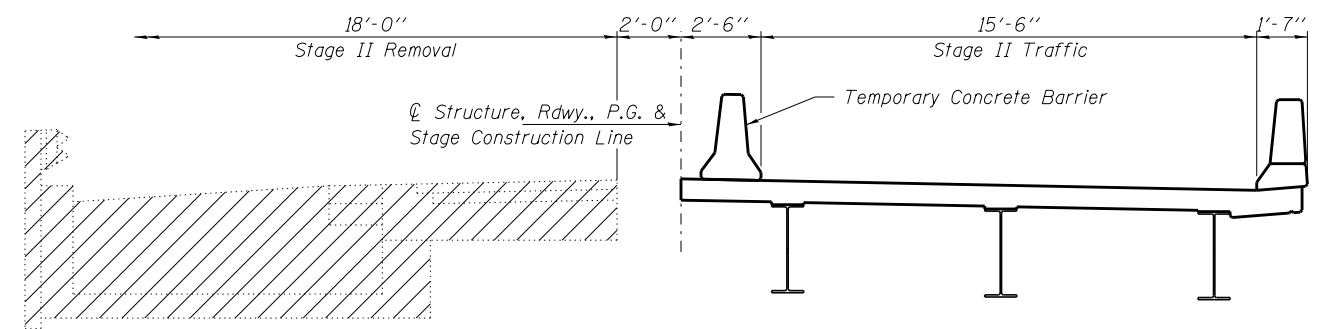
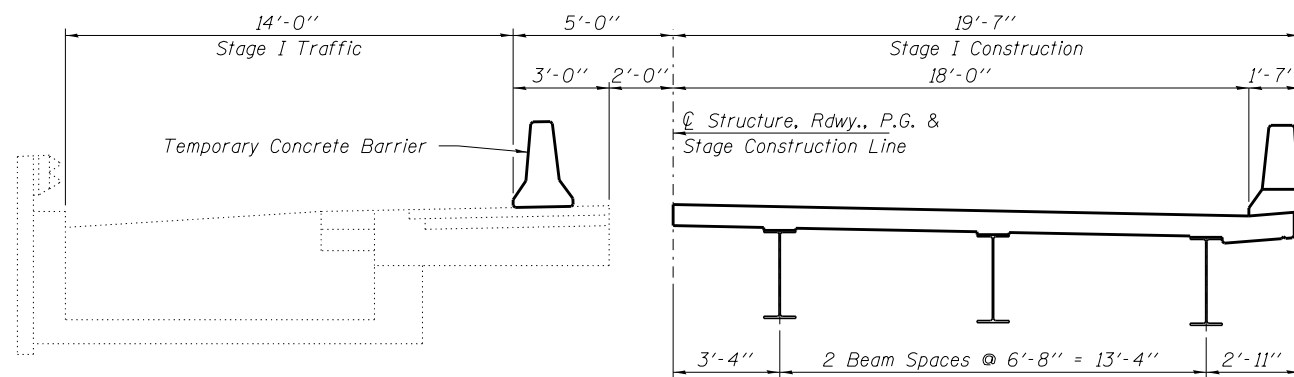


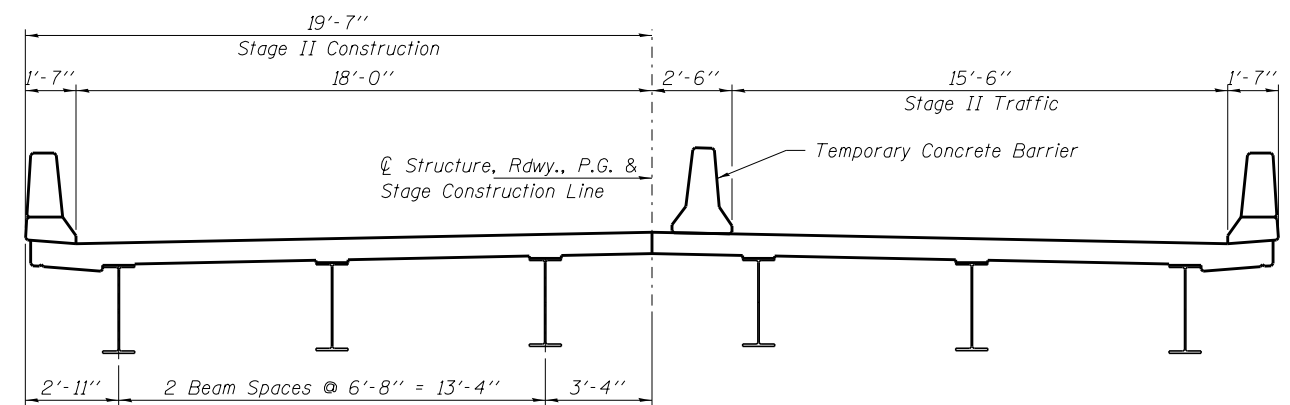
STAGE I REMOVAL



STAGE II REMOVAL



STAGE I CONSTRUCTION



STAGE II CONSTRUCTION

Notes:  
 All sections are looking South.  
 Hatched areas indicate removal.  
 See Roadway Plans for quantity of  
 Temporary Concrete Barrier.

FILE NAME = D978103-sht-bridge.dgn	USER NAME = #USER#	DESIGNED - A.S.L.	REVISED -
<b>HAMPTON, LENZINI AND RENWICK, INC.</b> <small>3035 STEVENSON DRIVE, SUITE 201          SPRINGFIELD, ILLINOIS 62703          ILLINOIS PROFESSIONAL DESIGN FIRM          LS / PE / SE CORP. 184.000959</small>	PLOT SCALE = #SCALE#	CHECKED - J.R.T.	REVISED -
	PLOT DATE = 5/8/2013	DRAWN - D.A.B.	REVISED -
		CHECKED - M.D.C.	REVISED -

**STATE OF ILLINOIS  
 DEPARTMENT OF TRANSPORTATION**

**STAGE CONSTRUCTION DETAILS  
 STRUCTURE NO. 097-0074**

SHEET NO. 3 OF 19 SHEETS

FAP	SECTION	COUNTY	TOTAL SHEETS	SHEET NO.
332	2B-1	WHITE	52	27
IL 1 OVER FLANDERS CREEK			CONTRACT NO. 78103	
ILLINOIS FED. AID PROJECT				