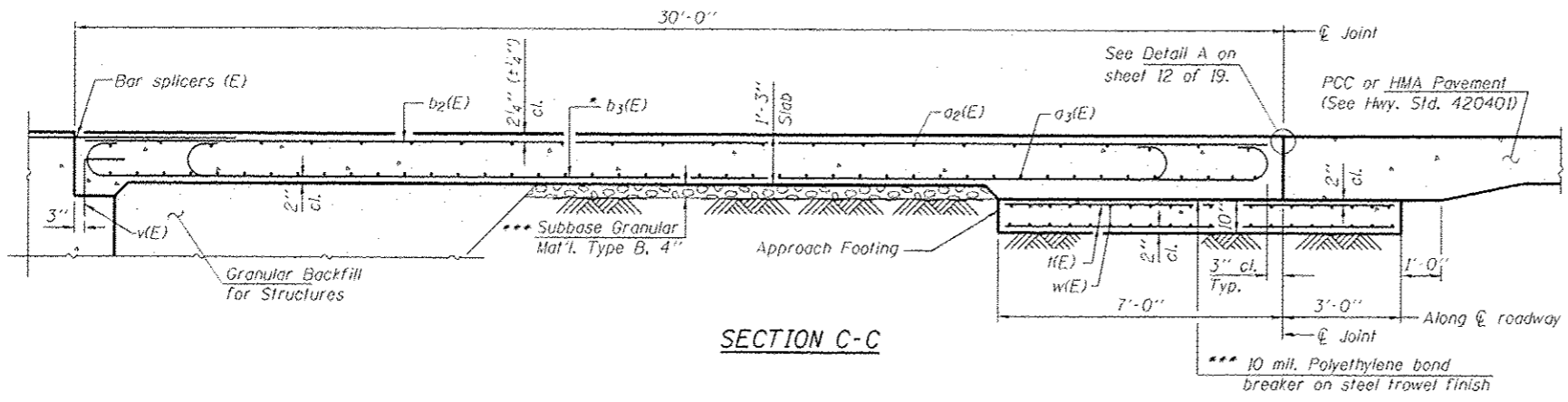
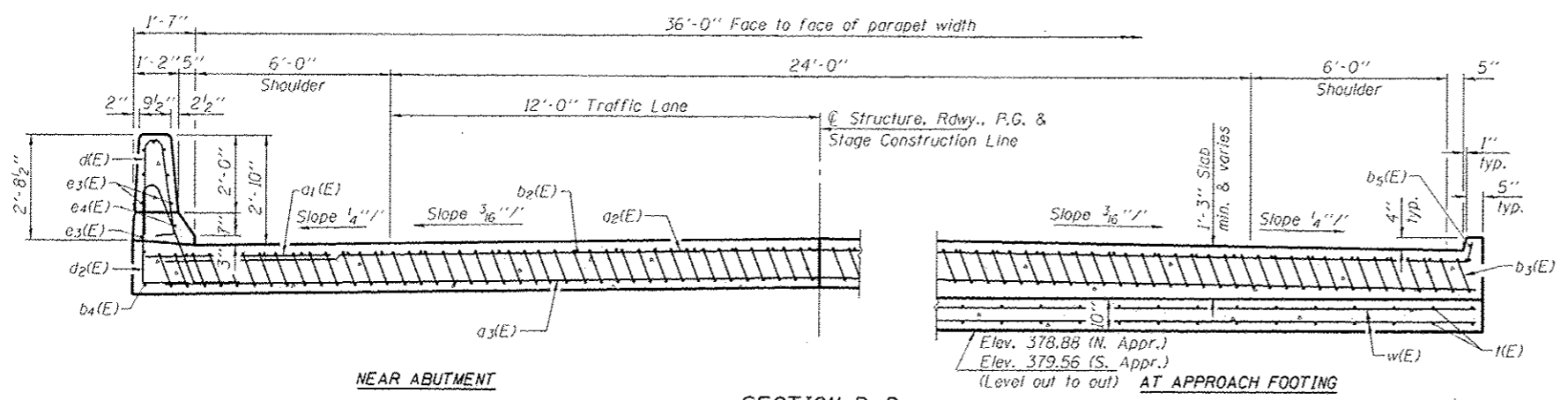


Notes:  
 See sheet 12 of 19 for Detail A and View B-B.  
 Approach slab and parapet concrete shall be paid for as Concrete Superstructure.  
 Approach footing concrete shall be paid for as Concrete Structures.  
 Reinforcement shall be paid for as Reinforcement Bars, Epoxy Coated.  
 For v(E) bar details, see sheet 11 of 19.  
 The approach footing maximum applied service bearing pressure (0max) = 2.0 ksf.  
 For bar splicer details, see sheet 17 of 19.  
 Cast of excavation for approach footing included with Concrete Structures.  
 For Granular Backfill for Structures and drainage treatment details, see sheet 2 of 19.  
 For additional parapet details, see sheet 10 of 19.



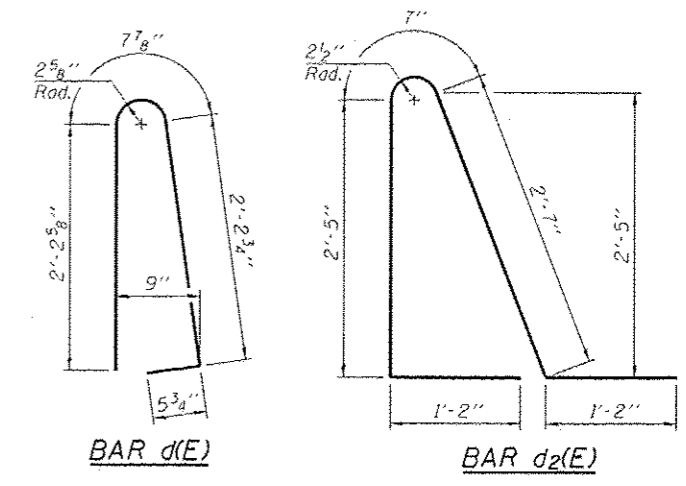
SECTION C-C



NEAR ABUTMENT

SECTION D-D

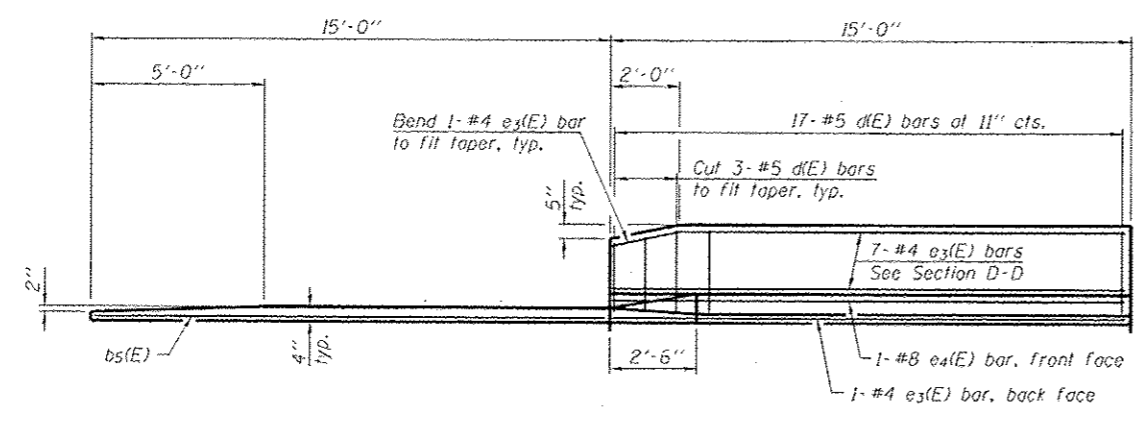
(See Plan for dimensions not shown)



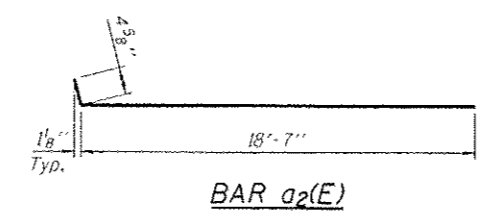
BAR d(E)

BAR d2(E)

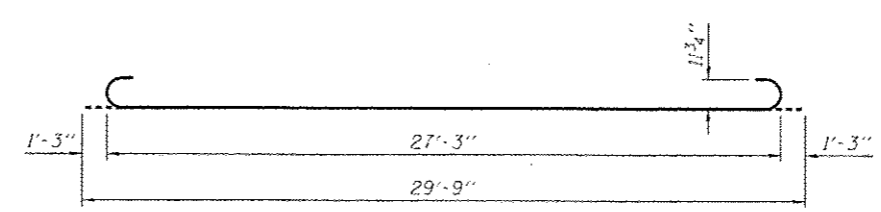
\* TIII #9 b3(E) bars as required to maintain clearance.  
 \*\*\* Cost included with Concrete Superstructure.



VIEW E-E



BAR a2(E)



BAR b3(E)

TWO APPROACHES  
 BILL OF MATERIAL

Bar	No.	Size	Length	Shape
a1(E)	48	#6	6'-6"	—
a2(E)	100	#4	19'-0"	—
a3(E)	184	#5	18'-7"	—
b2(E)	64	#4	29'-8"	—
b3(E)	180	#9	29'-9"	—
b4(E)	4	#4	14'-8"	—
b5(E)	4	#4	14'-4"	—
d(E)	68	#5	5'-7"	—
d2(E)	68	#5	7'-11"	—
e3(E)	32	#4	14'-8"	—
e4(E)	4	#8	14'-8"	—
k(E)	152	#4	9'-8"	—
w(E)	160	#5	18'-7"	—
Concrete Superstructure		Cu. Yd.	118.0	
Concrete Structures		Cu. Yd.	23.4	
Reinforcement Bars, Epoxy Coated		Pound	30,370	
Bar Splicers		Each	222	
Bridge Deck Grooving		Sq. Yd.	227	
Protective Coat		Sq. Yd.	273	

(Sheet 2 of 2)