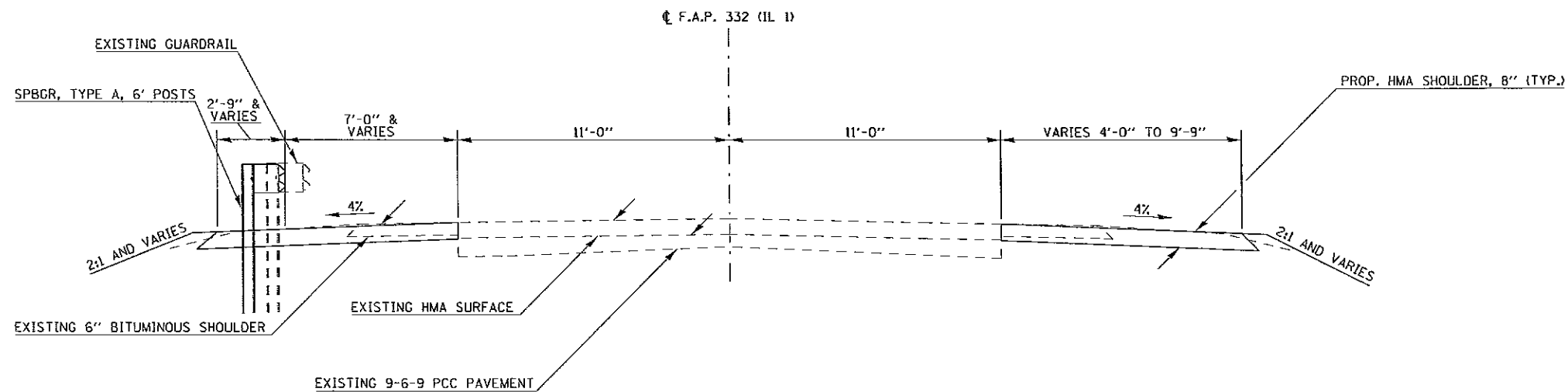


TYPICAL SECTION WITHIN PAVEMENT REMOVAL
(EXCLUDES PAVEMENT SECTION OVER CULVERT)



TYPICAL SECTION OUTSIDE PAVEMENT REMOVAL

FILE NAME =	USER NAME = walkerra	DESIGNED - _____	REVISED - _____	STATE OF ILLINOIS DEPARTMENT OF TRANSPORTATION	TYPICAL SECTIONS		F.A.P. RTE.	SECTION	COUNTY	TOTAL SHEETS	SHEET NO.
cs:\pwork\pavdot\walkerra\0326424\783	2-Design.dgn	DRAWN - _____	REVISED - _____				332	2B-2	WHITE	23	6
Default	PLOT SCALE = 5.0000' / in.	CHECKED - _____	REVISED - _____		SCALE: _____ SHEET _____ OF _____ SHEETS		ILLINOIS FED. AID PROJECT		CONTRACT NO. 78312		
	PLOT DATE = 5/28/2013	DATE - _____	REVISED - _____		STA. _____ TO STA. _____						