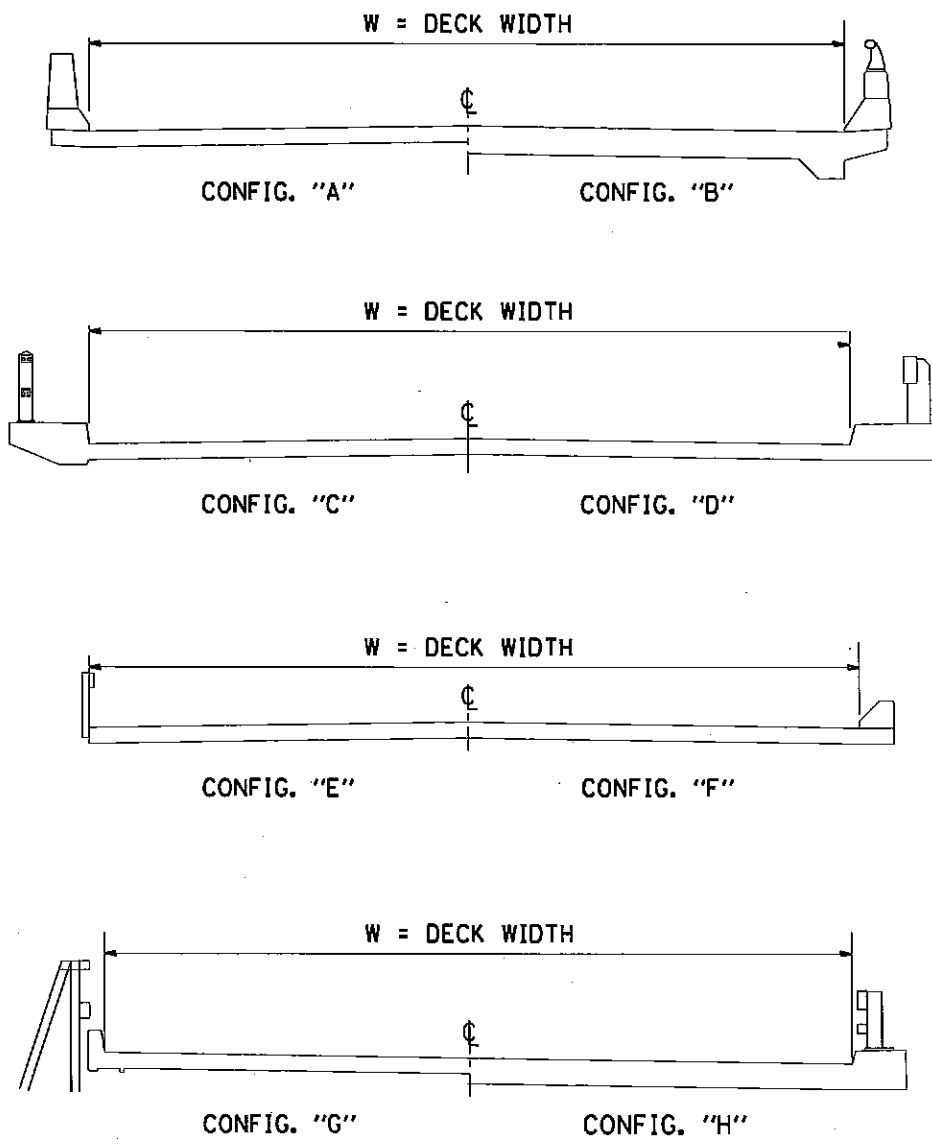


PARAPET/SAFTEY WALK CONFIGURATIONS

(NOT TO SCALE)



Existing pavement markings shall be temporarily covered prior to application of the deck surface treatment, to prevent the material from being applied to the markings. The temporary covering shall be removed after application of the deck surface treatment and prior to opening to traffic. Cost is included with the deck surface treatment specified.

ALEXANDER			DECK DIMINSIONS		DECK AREA	PARAPET/SAFTEY WALK		PROTECTIVE COAT	
SN	ROUTE	FEATURE CROSSED	WIDTH (FT)	LENGTH (FT)	SQ YD	CONFIG	SQ YD	SQ YD	
1	0020009	ILL 3	SEXTON CREEK	22.7	338.0	853	G	101	954
2	0020014	ILL 3	CACHE RIVER	35.2	280.8	1098	A	177	1,275
3	0020028	ILL 127	HOGSKIN CREEK	32.0	115.0	409	E	0	409
4	0020029	ILL 127	COOPER CREEK	29.9	91.7	305	A	71	376
5	0020030	ILL 3 - FAP 14	LAKE CR	32.0	218.7	778	A	170	948
6	0020032	FAP 14-ILL 3	SEXTON CREEK	40.0	400.1	1778	A	311	2,089
7	0020033	ILL 127	SANDY CREEK	30.0	181.5	605	A	141	746
8	0020035	ILL 127	JACKSON CREEK	30.0	67.3	224	A	52	276
MASSAC			DECK DIMINSIONS		DECK AREA	PARAPET/SAFTEY WALK		PROTECTIVE COAT	
SN	ROUTE	FEATURE CROSSED	WIDTH (FT)	LENGTH (FT)	SQ YD	CONFIG	SQ YD	SQ YD	
9	0640003	US 45	O DITCH	28.1	119.5	373	D	170	543
10	0640013	TR 9 RICE HILL	INTERSTATE 24	26.2	265.1	772	B	165	937
11	0640017	I 24 WB	BEAR CREEK	38.2	150.8	640	B	94	734
12	0640018	I 24 EB	BEAR CREEK	38.2	150.8	640	B	94	734
13	0640019	TR 45 BENTON	INTERSTATE 24	26.3	263.3	769	B	164	933
14	0640022	FAS 959	INTERSTATE 24	28.1	277.8	867	B	173	1,040
15	0640025	I 24 WB	TR 86 MASSAC CR RD	40.2	118.5	529	B	74	603
16	0640026	I 24 EB	TR 86 MASSAC CR RD	40.2	118.5	529	B	74	603
17	0640029	US 45-FAP 889	INTERSTATE 24	85.4	265.4	2518	B	165	2,683
18	0640030	I 24 EB	FUTURE PARK ROAD	40.2	111.8	499	B	70	569
19	0640031	I 24 WB	FUTURE PARK ROAD	40.2	111.8	499	B	70	569
20	0640032	I 24 EB	ABANDON RR BED	38.8	140.7	607	B	88	695
21	0640033	I 24 WB	ABANDON RR BED	38.8	140.7	607	B	88	695
22	0640036	US 45	MASSAC CREEK	40.8	290.0	1315	A	226	1,541
23	0640039	FAS 2937-ILL	PATTERSON BRANCH	32.2	77.0	275	A	60	335
24	0640041	US 45	SEVEN MILE CREEK	36.0	94.0	376	A	73	449
25	0640042	US 45	FOUR MILE CREEK	36.0	123.0	492	A	96	588
26	0640043	US 45-FAP 889	MASSAC CREEK	39.5	290.0	1273	A	226	1,499
27	0640044	US 45-FAS 960	MAIN DITCH	32.1	152.6	544	A	119	663

FILE NAME =	USER NAME = walke	DESIGNED -	REVISED -
c:\p\work\p\dot\walke\d8349892\dec	seal-sh1-pln.dgn	DRAWN -	REVISED -
	PLOT SCALE = 100.0000 ' / in.	CHECKED -	REVISED -
	PLOT DATE = 6/17/2013	DATE -	REVISED -

**STATE OF ILLINOIS
DEPARTMENT OF TRANSPORTATION**

SCHEDULE OF QUANTITIES

SCALE: SHEET OF SHEETS STA. TO STA.

F.A. RTE.	SECTION	COUNTY	TOTAL SHEETS	SHEET NO.
VAR.	09 DECK SEAL 2014-1	VARIOUS	5	3
CONTRACT NO. 78377				
ILLINOIS FED. AID PROJECT				